



MANUFACTURED BY:  
Backyard Discovery  
3305 Airport Drive, Pittsburg, KS 66762  
800-856-4445

Basepoint Business Centre: Rivermead Drive, Westlea, Swindon SN5 7EX Phone: 0800-118-2476  
J.P. Coenstraat 7, The Bridge, The Hague, 2595 WP, Netherlands Phone: 0800-567-8990

# EAGLES NEST FORT KNOTS

## Swing Set

### Model # 1801318B & 2200234

The assembly manual must be retained  
since it contains important information



#### WARNING

*Adult Assembly Required.*

Not suitable for children under 36 months due to small parts.

**FOR DOMESTIC USE ONLY. INTENDED FOR OUTDOOR USE.**



**Please visit [www.backyarddiscovery.com](http://www.backyarddiscovery.com)**

For the most up to date assembly manual, to register your set, or to order replacement parts

*Para obtener instrucciones en español, visite [www.backyarddiscovery.com](http://www.backyarddiscovery.com)*



**EASY STEP-BY-STEP  
3D INTERACTIVE INSTRUCTIONS**

DOWNLOAD THE FREE APP



**INSTALLATION  
SERVICES  
AVAILABLE!**

*See inside for details*

**Made in China**

INS-1801318B-EAGLES NEST-ENG 2-8-2022

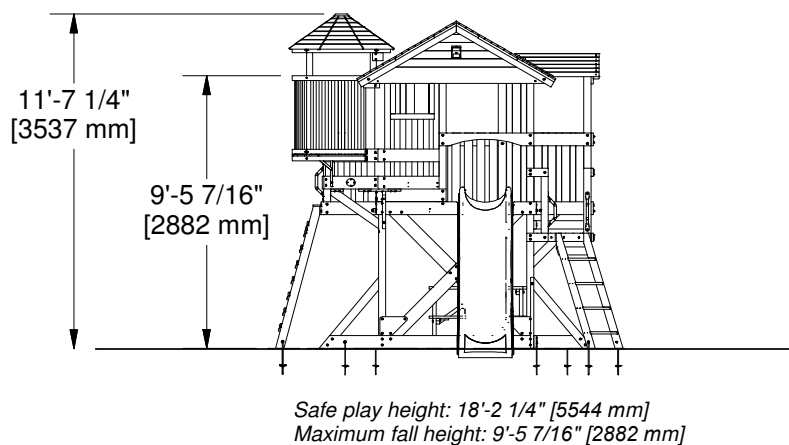
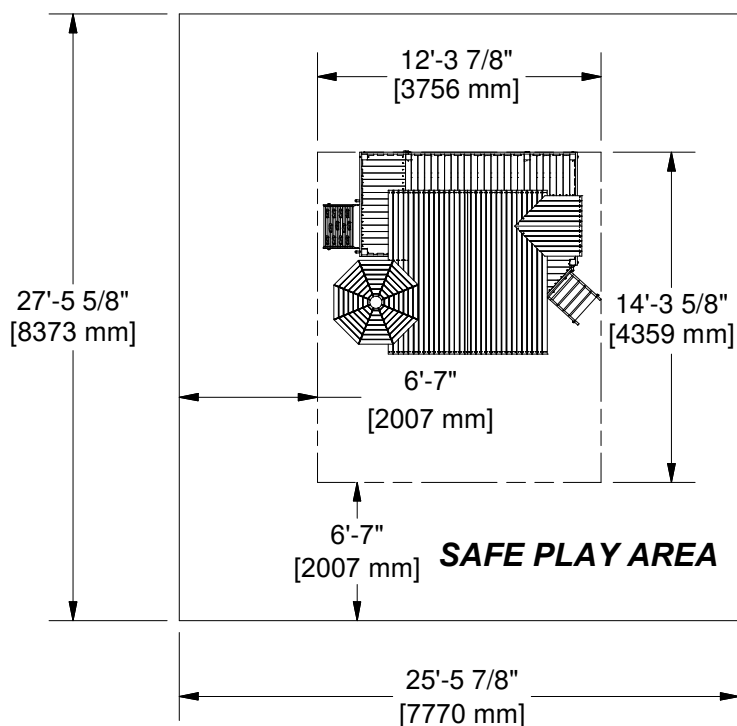
INS-2200234-A-FORT KNOTS-ENG 2-8-2022

# Owner's Manual - Basic Setup Dimensions & Assembly Notes

Place the set on level ground, not less than 6'-7" [2 m] from any structure or obstruction such as a fence, garage, house, overhanging branches, laundry lines, or electrical wires.

- While assembling unit, take time before and after each phase to make sure fort is level. If fort is not level, assembly will be difficult and improper assembly may result. Extra care must be taken to insure the fort is square.
- The safe play area refers to a zone extending 6'-7" (2 m) beyond the play product on all sides, including the space above the play product.

## SAFE PLAY AREA DIAGRAM



### General Information:

Your set has been designed and engineered for children only and for residential use only.  
A maximum of 150 lbs. per child is recommended for play activities designed for individual use.  
A maximum of 120 lbs. per child is recommended for play activities designed for multiple child use.  
A maximum of 9 children is recommended for this swing set.

# Parts Identification

## Wood Components

(NOT TO SCALE)



(1) **B1 - POST - W4L08453**  
3"x3"x59" (76x76x1500)



(1) **B2 - POST - W4L08454**  
3"x3"x59" (76x76x1500)



(1) **B3 - POST - W4L08473**  
3"x3"x69 1/8" (76x76x1757)



(1) **B4 - POST - W2A02257**  
3"x3"x59" (76x76x1500)



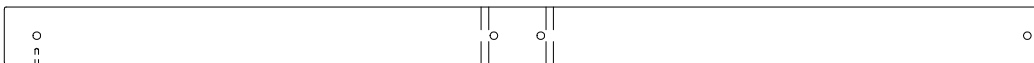
(1) **B5 - POST - W4L12937**  
3"x3"x69 3/4" (76x76x1771)



(1) **B6 - POST - W4L08452**  
3"x3"x59" (76x76x1500)



(1) **B7 - POST - W4L08472**  
3"x3"x58" (76x76x1472)



(1) **B8 - POST - W4L08475**  
3"x3"x53 7/8" (76x76x1370)



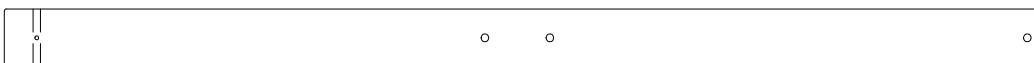
(1) **B9 - POST - W4L08476**  
3"x3"x53 7/8" (76x76x1370)



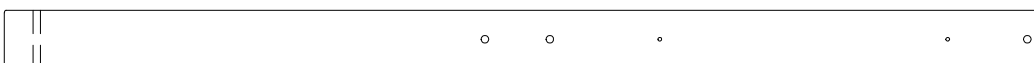
(1) **B10 - POST - W4L08484**  
3"x3"x47 1/4" (76x76x1201)



(1) **B12 - POST - W4L08487**  
3"x3"x13 5/8" (76x76x345)



(1) **B13 - POST - W4L08523**  
3"x3"x53 7/8" (76x76x1370)

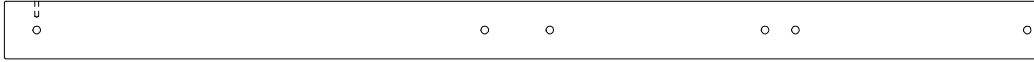


(1) **B14 - POST - W4L08524**  
3"x3"x53 7/8" (76x76x1370)

# Parts Identification

## Wood Components

(NOT TO SCALE)



(1) **B15 - POST - W4L08552**  
3"x3"x53 7/8" (76x76x1370)



(1) **B16 - POST - W4L08553**  
3"x3"x53 7/8" (76x76x1370)



(2) **B17 - POST - W4L08696**  
3"x3"x33 7/8" (76x76x860)



(1) **B18 - POST - W4L08711**  
3"x3"x33 7/8" (76x76x860)



(1) **B19 - POST - W4L08712**  
3"x3"x33 7/8" (76x76x860)



(1) **B20 - POST - W4L08716**  
3"x3"x30 3/8" (76x76x773)



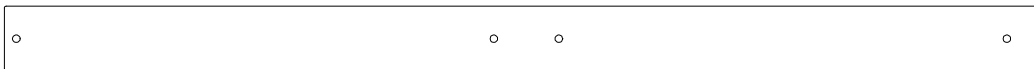
(1) **B21 - POST - W4L08746**  
3"x3"x33 7/8" (76x76x860)



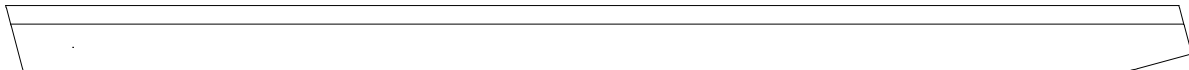
(1) **B22 - POST - W4L08747**  
3"x3"x30 3/8" (76x76x773)



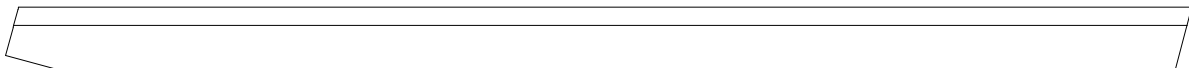
(8) **E1 - ANGLE SUPPORT - W4L08458**  
1 3/8"x3 3/8"x18 3/4" (36x86x475)



(2) **E2 - POST - W4L08522**  
3 3/8"x1 3/8"x53 7/8" (86x36x1370)



(1) **E3 - LEFT RAIL - W4L08723**  
1 3/8"x3 3/8"x61 3/4" (36x86x1570)



(1) **E4 - RIGHT RAIL - W4L08724**  
1 3/8"x3 3/8"x61 3/4" (36x86x1570)



(1) **E5 - BLOCK - W4L11861**  
1 3/8"x3 3/8"x4 3/4" (36x86x120)



(2) **E8 - ANGLE SUPPORT BRACE - W4L12935**  
1 3/8"x3 3/8"x25 3/8" (36x86x643)



# Parts Identification

## Wood Components

(NOT TO SCALE)



(2) **F1 - POST - W4L08495**  
1 3/8"x2 3/8"x54 5/8" (36x60x1389)



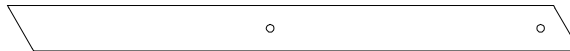
(1) **F2 - POST - W4L08503**  
1 3/8"x2 3/8"x47 1/4" (36x60x1200)



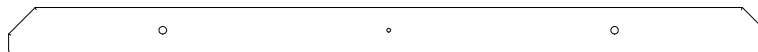
(1) **F3 - POST - W4L08504**  
1 3/8"x2 3/8"x47 1/4" (36x60x1200)



(2) **F5 - PICNIC TABLE OUTER SUPPORT - W4L08555**  
1 3/8"x2 3/8"x16 3/4" (36x60x424)



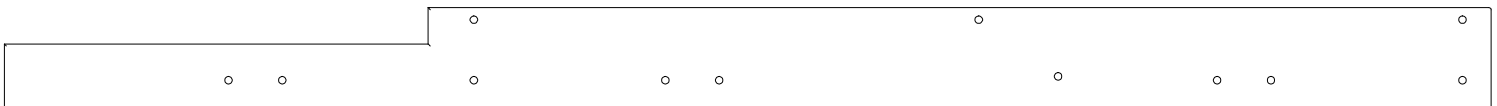
(4) **F6 - PICNIC TABLE LEG - W4L08556**  
1 3/8"x2 3/8"x29 7/8" (36x60x757)



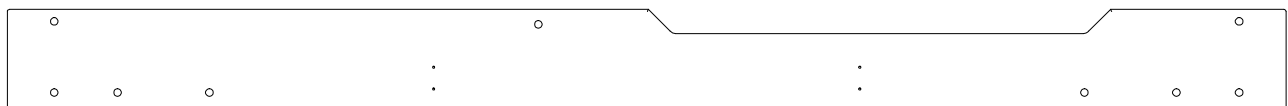
(2) **F8 - PICNIC TABLE LEG SUPPORT - W4L08558**  
1 3/8"x2 3/8"x39 5/8" (36x60x1006)



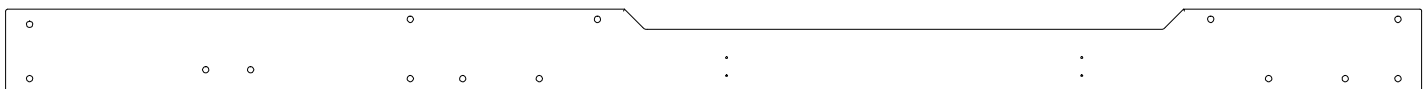
(2) **F12 - PICNIC TABLE SUPPORT - W4L11668**  
1 3/8"x2 3/8"x20 1/4" (36x60x513)



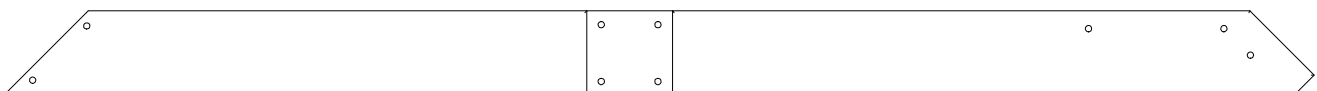
(1) **G1 - WALL SUPPORT - W4L08459**  
1"x5 1/4"x77 1/2" (24x134x1968)



(1) **G2 - WALL SUPPORT - W4L08460**  
1"x5 1/4"x66 5/8" (24x134x1692)



(1) **G3 - WALL SUPPORT - W4L08461**  
1"x5 1/4"x88 1/2" (24x134x2249)



(4) **G4 - CROSS BRACE - W4L08463**  
1"x5 1/4"x81 7/8" (24x134x2081)



(1) **G5 - WALL SUPPORT - W4L08464**  
1"x5 1/4"x26 3/4" (24x134x681)

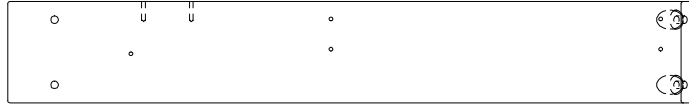
# Parts Identification

## Wood Components

(NOT TO SCALE)



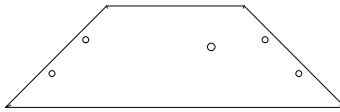
(2) **G6 - WALL SUPPORT - W4L08465**  
1"x5 1/4"x53 5/8" (24x134x1362)



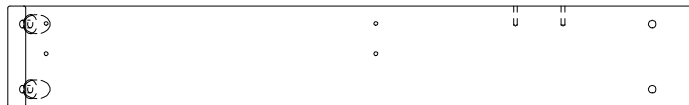
(1) **G7 - WALL SUPPORT - W4L12842**  
1"x5 1/4"x36" (24x134x915)



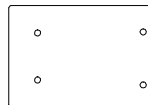
(1) **G8 - WALL SUPPORT - W4L12843**  
1"x5 1/4"x32" (24x134x813)



(2) **G9 - CROSS BRACE - W4L12939**  
1"x5 1/4"x17 3/4" (24x134x450)



(1) **G10 - WALL SUPPORT - W4L08481**  
1"x5 1/4"x36" (24x134x915)



(1) **G11 - WALL SUPPORT - W4L08486**  
1"x5 1/4"x7 1/2" (24x134x192)



(1) **G12 - WALL SUPPORT - W4L08490**  
1"x5 1/4"x29 1/8" (24x134x741)



(1) **G13 - WALL SUPPORT - W4L08491**  
1"x5 1/4"x28 1/4" (24x134x716)



(1) **G14 - WALL SUPPORT - W4L08492**  
1"x5 1/4"x10 5/8" (24x134x269)



(1) **G15 - WALL SUPPORT - W4L08545**  
1"x5 1/4"x30 1/4" (24x134x768)



(1) **G16 - WALL SUPPORT - W4L08546**  
1"x5 1/4"x14 7/8" (24x134x378)

# Parts Identification

## Wood Components

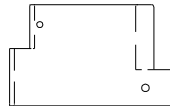
(NOT TO SCALE)



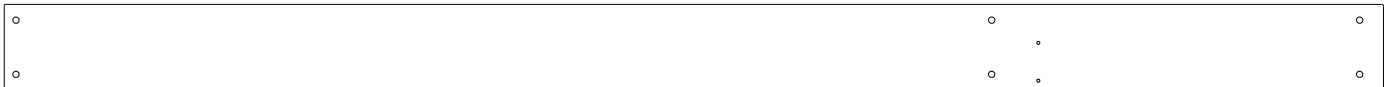
(1) **G17 - ENTRY BOARD - W4L08547**  
1"x5 1/4"x38 3/4" (24x134x983)



(1) **G18 - WALL SUPPORT - W4L08548**  
1"x5 1/4"x26 3/4" (24x134x681)



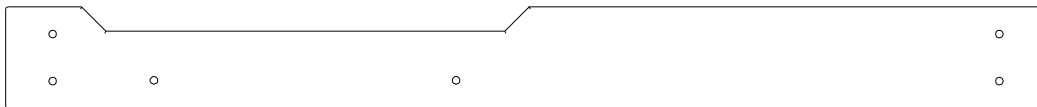
(1) **G19 - WALL SUPPORT - W4L08261**  
1"x5 1/4"x8 5/8" (24x134x218)



(1) **G20 - DECK BOARD - W4L08570**  
1"x5 1/4"x86 1/4" (24x134x2191)



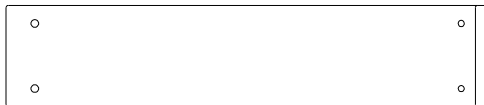
(1) **G21 - DECK BOARD - W4L08572**  
1"x5 1/4"x25 1/4" (24x134x643)



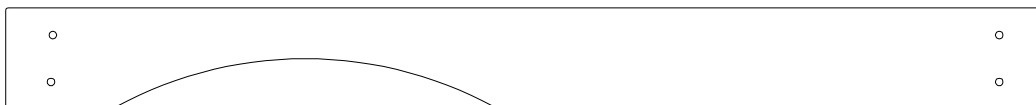
(1) **G22 - DECK BOARD - W4L08697**  
1"x5 1/4"x54 1/4" (24x134x1377)



(1) **G23 - DECK BOARD - W4L08698**  
1"x5 1/4"x22" (24x134x560)



(1) **G24 - DECK BOARD - W4L08709**  
1"x5 1/4"x25 3/8" (24x134x645)



(1) **G25 - ENTRY BOARD - W4L08710**  
1"x5 1/4"x54 1/4" (24x134x1377)



(1) **G26 - WALL SUPPORT - W4L08485**  
1"x5 1/4"x36" (24x134x915)

# Parts Identification

## Wood Components

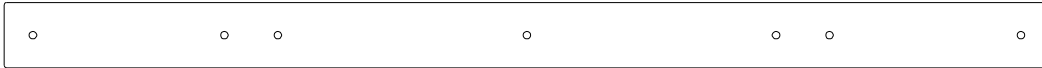
(NOT TO SCALE)



(1) **G27 - DECK BOARD - W4L11666**  
1"x5 1/4"x24 1/2" (24x134x622)



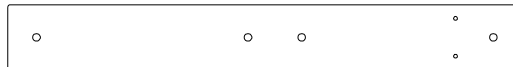
(1) **G28 - DECK BOARD - W4L11667**  
1"x5 1/4"x87" (24x134x2211)



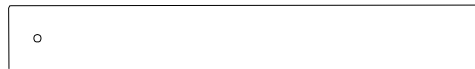
(1) **H1 - FLOOR SUPPORT - W4L08462**  
1"x3 3/8"x54 1/2" (24x86x1384)



(2) **H2 - FLOOR SUPPORT - W4L08468**  
1"x3 3/8"x54 3/8" (24x86x1382)



(1) **H3 - FLOOR SUPPORT - W4L08469**  
1"x3 3/8"x26 3/4" (24x86x681)



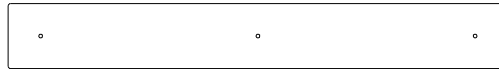
(2) **H4 - FLOOR SUPPORT - W4L08474**  
1"x3 3/8"x24 7/8" (24x86x631)



(1) **H5 - FLOOR SUPPORT - W4L08479**  
1"x3 3/8"x32" (24x86x813)



(1) **H6 - FLOOR SUPPORT - W4L08482**  
1"x3 3/8"x32" (24x86x813)



(1) **H7 - FLOOR SUPPORT - W4L08483**  
1"x3 3/8"x26" (24x86x661)



(4) **E7 - ANGLE BRACE - W4L08494**  
1 3/8"x3 3/8"x38 1/2" (36x86x978)



(1) **H10 - ROOF SUPPORT - W4L08513**  
1"x3 3/8"x76 3/4" (24x86x1949)



(1) **H11 - ROOF SUPPORT - W4L08518**  
1"x3 3/8"x76 3/4" (24x86x1949)



(1) **H12 - ROOF SUPPORT - W4L08519**  
1"x3 3/8"x39 1/2" (24x86x1004)

# Parts Identification

## Wood Components

(NOT TO SCALE)



- (1) **H13 - ROOF SUPPORT - W4L08520**  
1"x3 3/8"x74 3/4" (24x86x1900)



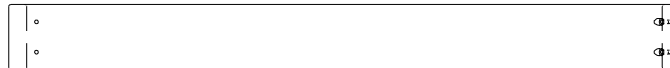
- (1) **H14 - ROOF SUPPORT - W4L08521**  
1"x3 3/8"x74 3/4" (24x86x1900)



- (4) **H15 - RAFTER - W4L08526**  
1"x3 3/8"x47 5/8" (24x86x1209)



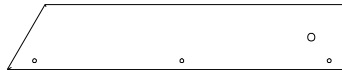
- (2) **H16 - RAFTER - W4L08527**  
1"x3 3/8"x47 5/8" (24x86x1209)



- (1) **H17 - WALL SUPPORT - W4L08533**  
1"x3 3/8"x35" (24x86x889)



- (1) **H18 - ROOF SUPPORT - W4L08541**  
1"x3 3/8"x28 1/4" (24x86x717)



- (2) **H19 - RAFTER - W4L08551**  
1"x3 3/8"x18" (24x86x456)



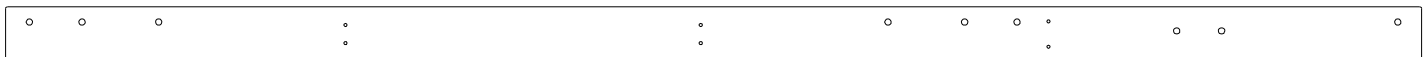
- (10) **H20 - FLOOR SUPPORT - W4L08562**  
1"x2 3/4"x3" (24x70x76)



- (1) **H21 - BASE BOARD - W4L08563**  
1"x3 3/8"x35" (24x86x889)



- (1) **H22 - GUARD RAIL - W4L08565**  
1"x3 3/8"x26 3/4" (24x86x681)



- (1) **H23 - FLOOR SUPPORT - W4L08569**  
1"x3 3/8"x88 1/2" (24x86x2249)



- (1) **H24 - FLOOR SUPPORT - W4L08571**  
1"x3 3/8"x58 3/4" (24x86x1493)

# Parts Identification

## Wood Components

(NOT TO SCALE)



- (1) **H25 - FLOOR SUPPORT - W4L08699**  
1"x3 3/8"x20 3/4" (24x86x528)



- (1) **H26 - FLOOR SUPPORT - W4L08700**  
1"x3 3/8"x46 1/4" (24x86x1176)



- (1) **H27 - FLOOR SUPPORT - W4L08701**  
1"x3 3/8"x20 1/8" (24x86x512)



- (1) **H28 - FLOOR SUPPORT - W4L08713**  
1"x3 3/8"x52 1/4" (24x86x1328)



- (4) **H29 - GUARD RAIL - W4L08715**  
1"x3 3/8"x9" (24x86x229)



- (1) **H30 - FLOOR SUPPORT - W4L08717**  
1"x3 3/8"x26 5/8" (24x86x675)



- (1) **H31 - LEFT UPRIGHT - W4L08718**  
1"x3 3/8"x52 1/4" (24x86x1328)



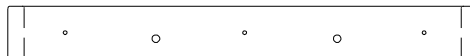
- (1) **H32 - RIGHT UPRIGHT - W4L08719**  
1"x3 3/8"x52 1/4" (24x86x1328)



- (4) **H33 - LADDER RUNG - W4L08722**  
1"x3 3/8"x17 1/8" (24x86x434)



- (1) **H34 - FLOOR SUPPORT - W4L08743**  
1"x2 3/4"x24 7/8" (24x70x631)



- (1) **H35 - FLOOR SUPPORT - W4L08744**  
1"x2 3/4"x24 5/8" (24x70x626.736)



- (2) **J1 - WALL SUPPORT - W4L08496**  
1"x2 3/8"x27 1/8" (24x60x688)

# Parts Identification

## Wood Components

(NOT TO SCALE)



- (1) **J2 - FLOOR SUPPORT - W4L12844**  
1"x2 3/8"x23 3/8" (24x60x594)



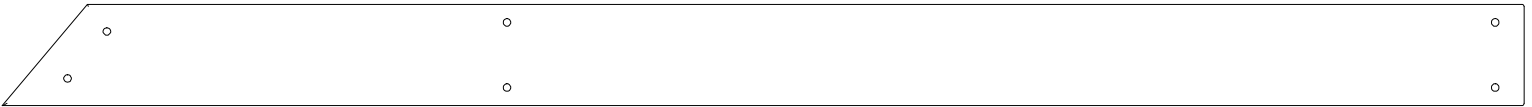
- (1) **J3 - FLOOR SUPPORT - W4L12845**  
1"x2 3/8"x24 3/8" (24x60x619)



- (1) **J4 - WALL SUPPORT - W4L08550**  
1"x2 3/8"x11 5/8" (24x60x295)



- (1) **J5 - FLOOR SUPPORT - W4L08745**  
1"x2"x2 3/4" (24x50x70)



- (1) **K1 - BASE BOARD - W4L08455**  
1"x5 1/4"x79 1/4" (24x134x2014)



- (1) **K2 - BASE BOARD - W4L08456**  
1"x5 1/4"x79 1/4" (24x134x2014)



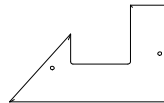
- (2) **K3 - BASE BOARD - W4L08457**  
1"x5 1/4"x89 1/2" (24x134x2274)



- (1) **K4 - FLOOR BOARD - W4L08471**  
5/8"x5"x65 5/8" (16x128x1668)



- (1) **K6 - WALL PICKET - W4L08561**  
5/8"x5 1/4"x43 1/4" (16x132x1099)



- (1) **K7 - FLOOR BOARD - W4L08736**  
5/8"x5"x8 1/4" (16x128x211)

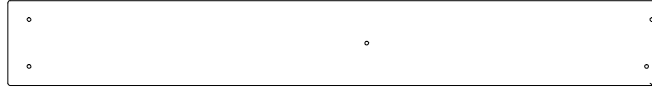
# Parts Identification

## Wood Components

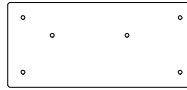
(NOT TO SCALE)



- (1) **K9 - SLIDE ARCH BOARD - W4L11444**  
5/8"x5 1/4"x39 1/2" (16x134x1004)



- (2) **L1 - FLOOR BOARD - W4L12916**  
5/8"x4 3/8"x34" (16x112x865)



- (1) **L02 - WALL PICKET - W4L12931**  
5/8"x4 3/8"x9 5/8" (16x112x243)



- (2) **L4 - FLOOR BOARD - W4L12917**  
5/8"x4 3/8"x33 1/2" (16x112x852)



- (2) **L5 - FLOOR BOARD - W4L12918**  
5/8"x4 3/8"x31 7/8" (16x112x811)



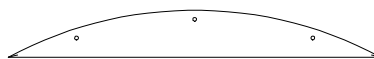
- (2) **L6 - FLOOR BOARD - W4L12919**  
5/8"x4 3/8"x27" (16x112x687)



- (4) **L8 - WALL PICKET - W4L08046**  
5/8"x4 3/8"x9 5/8" (16x112x244)



- (7) **M1 - FLOOR BOARD - W4L08489**  
5/8"x3 3/8"x34 1/4" (16x86x869)



- (2) **M7 - FLOOR BOARD - W4L08038**  
5/8"x2 1/2"x19 3/8" (16x62x493)



- (2) **M9 - WALL PICKET - W4L08511**  
5/8"x3 3/8"x39 7/8" (16x86x1013)



# Parts Identification

## Wood Components

(NOT TO SCALE)



- (9) **M10 - WALL PICKET - W4L08515**  
5/8"x3 3/8"x9 5/8" (16x86x243)



- (1) **M11 - WALL PICKET - W4L08516**  
5/8"x3 3/8"x9 5/8" (16x86x243)



- (2) **M12 - WALL BOARD - W4L08528**  
5/8"x3 3/8"x57 3/4" (16x86x1466)



- (2) **M13 - WALL BOARD - W4L08525**  
5/8"x3 3/8"x69 1/2" (16x86x1766)



- (1) **M14 - WALL PICKET - W4L08517**  
5/8"x3 3/8"x39 7/8" (16x86x1013)



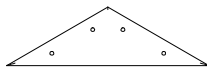
- (2) **M15 - WALL BOARD - W4L08529**  
5/8"x3 3/8"x45 7/8" (16x86x1166)



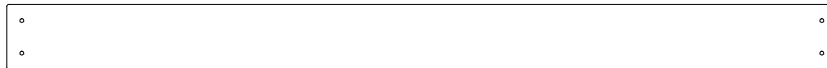
- (2) **M16 - WALL BOARD - W4L08530**  
5/8"x3 3/8"x34 1/8" (16x86x867)



- (2) **M17 - WALL BOARD - W4L08531**  
5/8"x3 3/8"x22 3/8" (16x86x567)



- (2) **M18 - WALL BOARD - W4L08532**  
5/8"x3"x10 1/2" (16x77x268)



- (2) **M19 - WALL PICKET - W4L08534**  
5/8"x3 3/8"x43 1/4" (16x86x1099)



- (1) **M20 - WALL BOARD - W4L08536**  
5/8"x3 3/8"x20 1/2" (16x86x521)



- (6) **M21 - WALL PICKET - W4L08537**  
5/8"x3 3/8"x27 1/4" (16x86x692)

# Parts Identification

## Wood Components

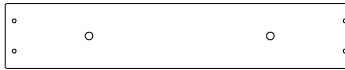
(NOT TO SCALE)



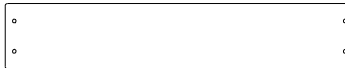
- (2) **M22 - WALL PICKET - W4L08540**  
5/8"x3 3/8"x53 7/8" (16x86x1370)



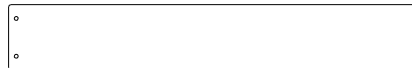
- (49) **M23 - WALL PICKET - W4L08544**  
5/8"x3 3/8"x29 7/8" (16x86x759)



- (1) **M24 - ATTACHMENT BOARD - W4L08720**  
5/8"x3 3/8"x18 1/4" (16x86x462)



- (1) **M25 - REAR SUPPORT - W4L08721**  
5/8"x3 3/8"x18 1/4" (16x86x462)



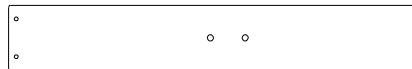
- (10) **M26 - ROCK WALL BOARD - W4L08725**  
5/8"x3 3/8"x21 5/8" (16x86x548)



- (1) **M27 - WALL PICKET - W4L08714**  
5/8"x3 3/8"x29 7/8" (16x86x759)



- (4) **M28 - ROCK WALL BOARD - W4L08726**  
5/8"x3 3/8"x21 5/8" (16x86x548)



- (4) **M29 - ROCK WALL BOARD - W4L08727**  
5/8"x3 3/8"x21 5/8" (16x86x548)



- (1) **M30 - ROCK WALL END BOARD - W4L08728**  
5/8"x3 3/8"x22 7/8" (16x86x580)



- (1) **M31 - ATTACHMENT BOARD - W4L08729**  
5/8"x3 3/8"x22 7/8" (16x86x580)



- (1) **M32 - FLOOR BOARD - W4L08737**  
5/8"x3 3/8"x11 3/8" (16x86x289)

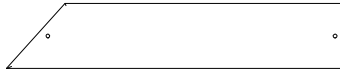


- (1) **M33 - FLOOR BOARD - W4L08738**  
5/8"x3 3/8"x14 1/2" (16x86x368)

# Parts Identification

## Wood Components

(NOT TO SCALE)



- (1) **M34 - FLOOR BOARD - W4L08739**  
5/8"x3 3/8"x17 5/8" (16x86x447)



- (1) **M35 - FLOOR BOARD - W4L08740**  
5/8"x3 3/8"x20 5/8" (16x86x525)



- (1) **M36 - FLOOR BOARD - W4L08741**  
5/8"x3 3/8"x21 1/2" (16x86x546)



- (1) **M37 - FLOOR BOARD - W4L08742**  
5/8"x2 1/2"x22 7/8" (16x64x580)



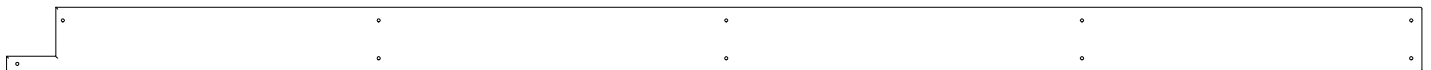
- (2) **M38 - TURRET FILLER BOARD - W4L11445**  
5/8"x3 3/8"x5 3/4" (16x86x146)



- (2) **M39 - FLOOR BOARD - W4L11558**  
5/8"x3"x18 7/8" (16x76x480)



- (1) **M40 - WALL PICKET - W4L12930**  
5/8"x3 3/8"x9 5/8" (16x86x243)



- (2) **N1 - FLOOR BOARD - W4L08470**  
5/8"x4"x88 1/2" (16x102x2248)



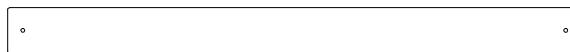
- (1) **N2 - WINDOW BOTTOM - W4L08538**  
5/8"x2 3/8"x25 1/4" (16x60x640)



- (2) **N3 - WINDOW SIDE - W4L08539**  
5/8"x2 3/8"x12 5/8" (16x60x321)



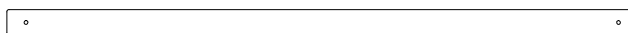
- (4) **N4 - WALL PICKET - W4L08542**  
5/8"x2 3/8"x53 7/8" (16x60x1370)



- (11) **N5 - WALL PICKET - W4L08543**  
5/8"x2 3/8"x29 7/8" (16x60x759)



- (1) **N6 - RAFTER CLEAT - W4L11446**  
5/8"x2 3/8"x3 1/8" (16x60x80)



- (60) **O1 - WALL PICKET - W4L08506**  
5/8"x1 3/8"x32 7/8" (16x34x835)



- (2) **O2 - WALL PICKET - W4L08510**  
5/8"x3"x9 5/8" (16x75x244)

# Parts Identification

## Wood Components

(NOT TO SCALE)



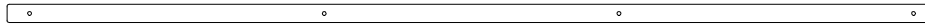
- (1) O3 - WALL PICKET - W4L08512  
5/8"x1 3/8"x39 7/8" (16x34x1013)



- (2) O4 - WALL PICKET - W4L08535  
5/8"x2 3/8"x43 1/4" (16x60x1099)



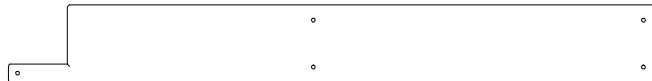
- (1) O70 - SLIDE MOUNTING BOARD - W4L09040  
5/8"x1 3/8"x20 3/8" (16x34x517)



- (1) T1 - FLOOR SUPPORT - W4L08466  
1"x1 3/8"x48 3/8" (24x34x1230)



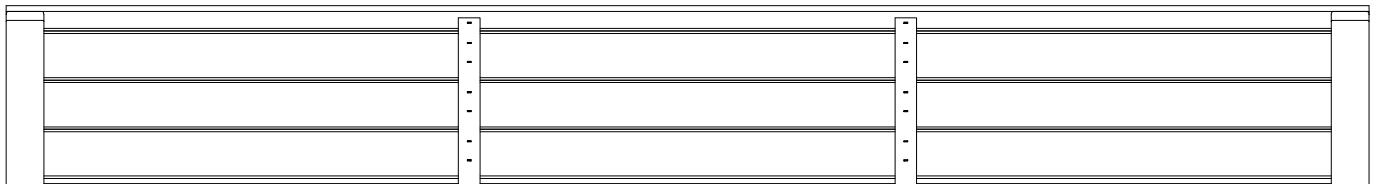
- (1) T2 - FLOOR SUPPORT - W4L08467  
1"x1 3/8"x22 5/8" (24x34x576)



- (2) Y1 - FLOOR BOARD - W4L08488  
5/8"x4"x34 1/4" (16x102x869)



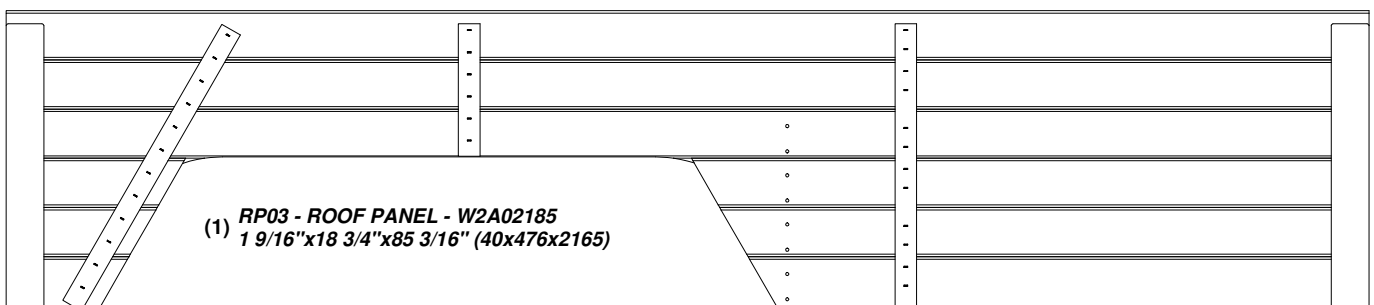
- (2) T3 - WALL BOARD - W4L12934  
1"x1 3/8"x5 7/8" (24x34x150)



- (2) RP01 - ROOF PANEL - W2A02182  
1 9/16"x11 5/16"x85 3/16" (40x287x2165)



- (2) RP02 - ROOF PANEL - W2A02184  
1 9/16"x19 1/4"x85 3/16" (40x488x2165)

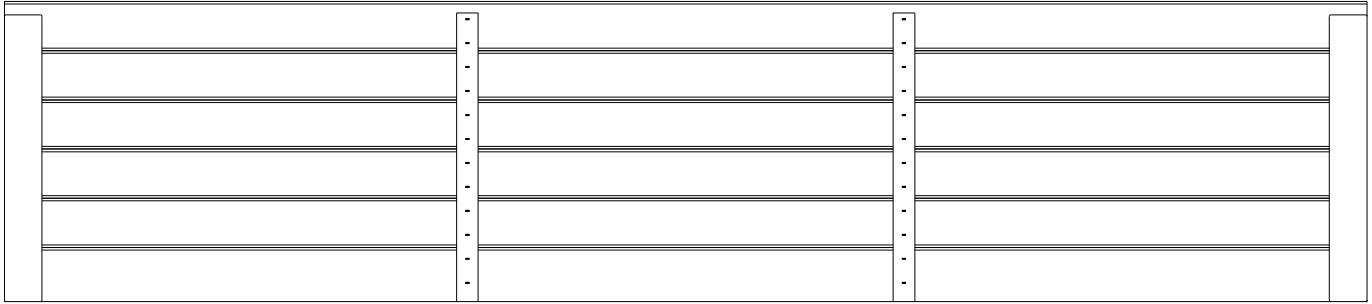


- (1) RP03 - ROOF PANEL - W2A02185  
1 9/16"x18 3/4"x85 3/16" (40x476x2165)

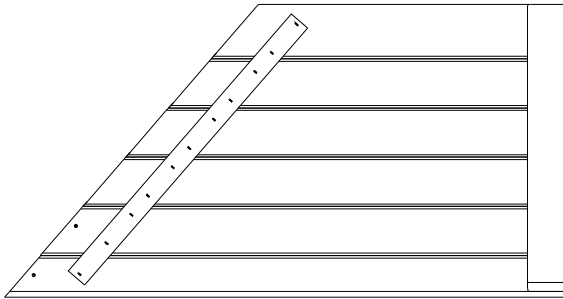
# Parts Identification

## Wood Components

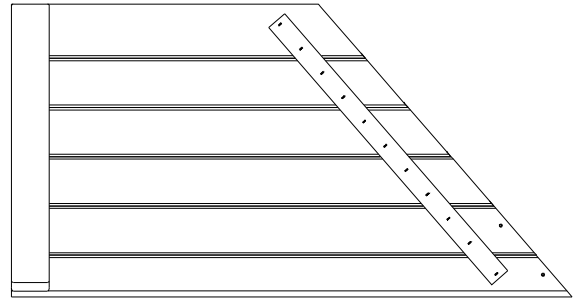
(NOT TO SCALE)



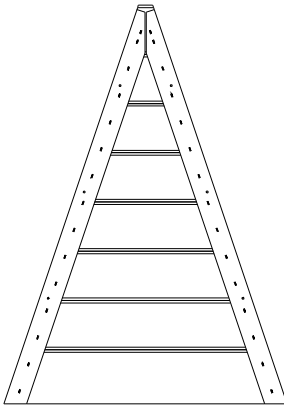
(1) **RP04 - ROOF PANEL - W2A02186**  
1 9/16"x18 3/4"x85 3/16" (40x476x2165)



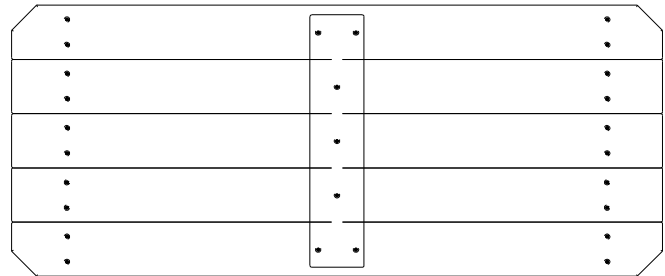
(1) **RP05 - SMALL ROOF PANEL - W2A02187**  
1 9/16"x18 1/4"x35" (40x464x891)



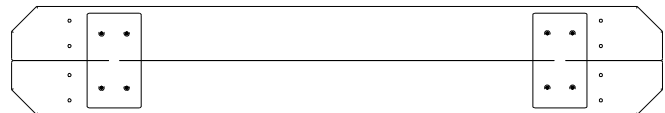
(1) **RP06 - SMALL ROOF PANEL - W2A02188**  
1 9/16"x18 1/4"x35" (40x464x891)



(8) **RP07 - ROOF PANEL - W2A02189**  
13/16"x17 11/16"x24 7/8" (21x450x632)



(1) **TP1 - PICNIC TABLE TOP - W2A02225**  
1 9/16"x17"x40 11/16" (40x430x1034)

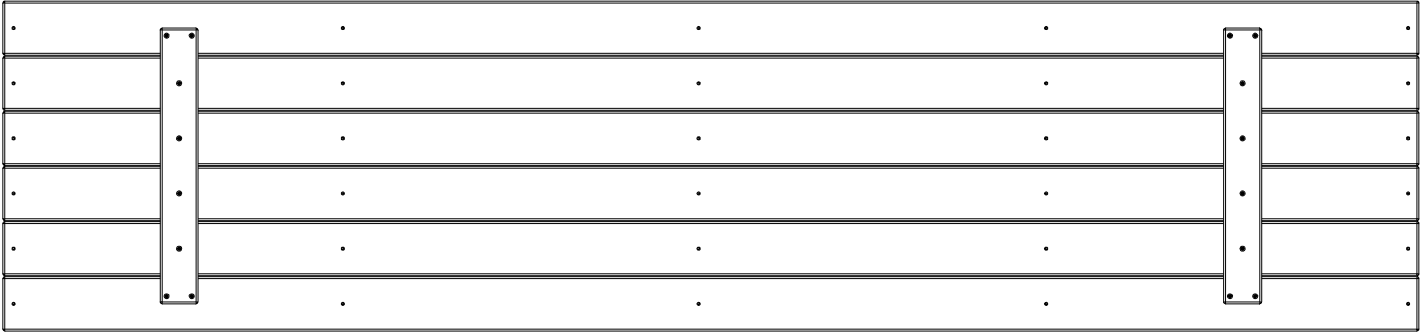


(2) **TP2 - PICNIC TABLE SEAT - W2A02226**  
1 9/16"x6 3/4"x40 11/16" (40x172x1034)

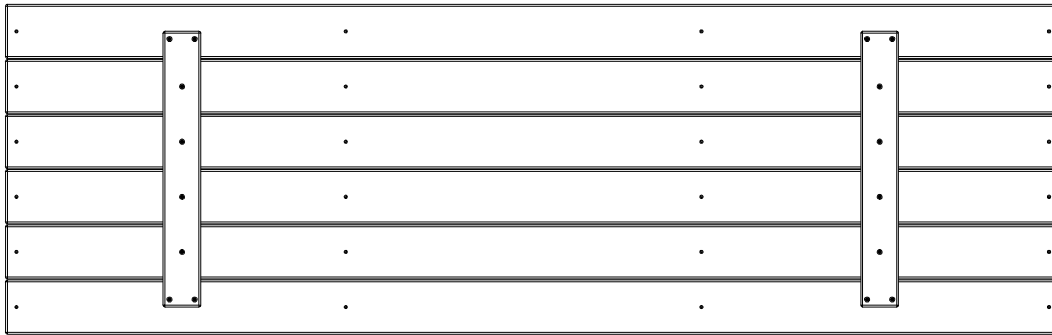
# Parts Identification

## Wood Components

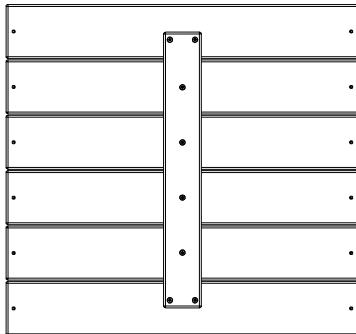
(NOT TO SCALE)



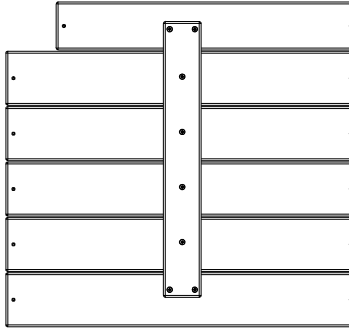
(1) **FP1 - FLOOR PANEL - W2A02223**  
1 1/4"x20 9/16"x88 9/16" (32x523x2249)



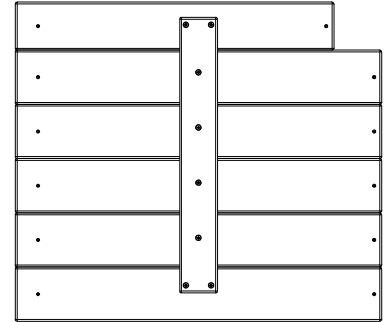
(1) **FP2 - FLOOR PANEL - W2A02224**  
1 1/4"x20 9/16"x65 11/16" (32x523x1668)



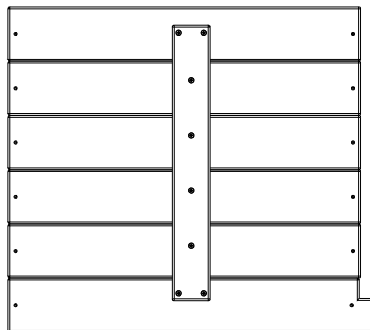
(3) **FP3 - FLOOR PANEL - W2A02227**  
1 1/4"x22 1/16"x20 11/16" (32x560x525)



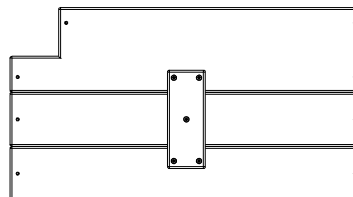
(1) **FP4 - FLOOR PANEL - W2A02228**  
1 1/4"x20 1/4"x22" (32x515x560)



(1) **FP5 - FLOOR PANEL - W2A02229**  
1 1/4"x19 15/16"x22 15/16" (32x506x582)



(1) **FP6 - FLOOR PANEL - W2A02230**  
1 1/4"x20 5/16"x22 15/16" (32x516x582)



(1) **FP7 - FLOOR PANEL - W2A02248**  
1 1/4"x12 1/16"x22 1/16" (32x306x560)

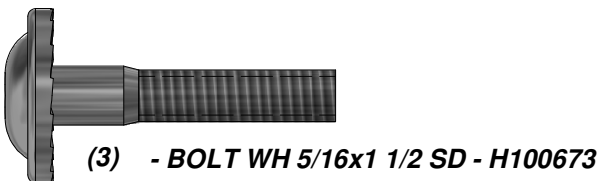
# Parts Identification

## Hardware



# Parts Identification

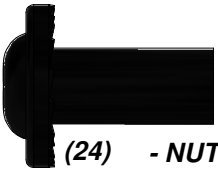
## Hardware



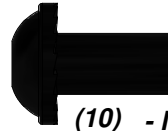


# Parts Identification

## Hardware



(24) - NUT BARREL WH 5/16x7/8 BLK - H100192



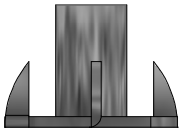
(10) - NUT BARREL WH 1/4x5/8 BLK - H100404



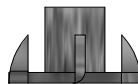
(221) - T-NUT 5/16 BLK - H100379



(33) - T-NUT 1/4 BLK - H100398



(3) - T-NUT 5/16 SD - H100556



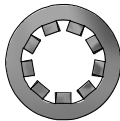
(26) - T-NUT 1/4 SD - H100699



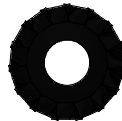
(256) - WASHER LOCK EXT 8x19 BLK - H100198



(24) - WASHER LOCK EXT 12x19 BLK - H100199



(26) - WASHER LOCK INT 8x15 SD - H100710



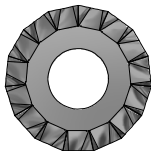
(16) - WASHER LOCK EXT 6x15 BLK - H100405



(10) - WASHER LOCK EXT 8x15 BLK - H100400



(19) - WASHER FLAT 8x19 BLK - H100630



(3) - WASHER LOCK EXT 8x19 SD - H100554



(9) - WASHER FLAT 9x18 BLK - H100474



(11) - NUT LOCK 1/4 BLK - H100653

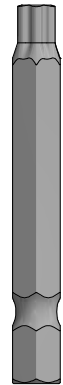


(2) - T-40 TORX BIT - A100042

(2) - T-40 TORX WRENCH - A100041



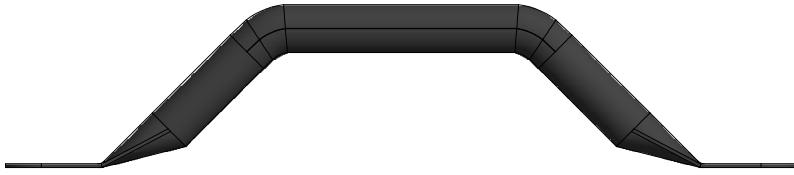
(2) - T-30 TORX WRENCH - H100114



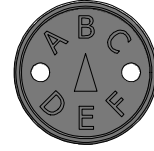
(2) - T-30 TORX BIT - H100147

# Parts Identification

Accessories  
(NOT TO SCALE)



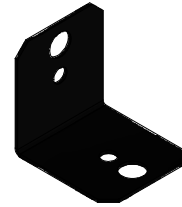
(5) - HAND GRIP METAL GREEN 381 c/c - A100118



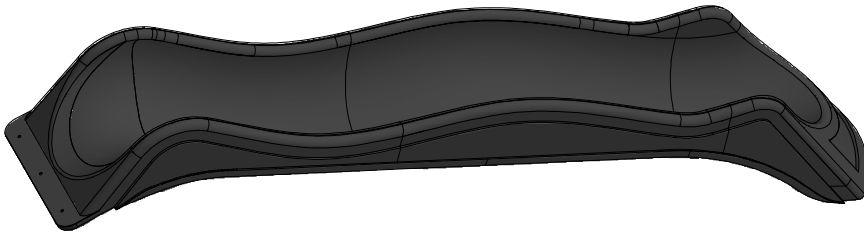
(1) - "B" REVISION TAG - A100315



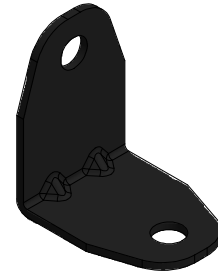
(1) - BYD ID TAG (MEDIUM) AGES 3-10 - A100175



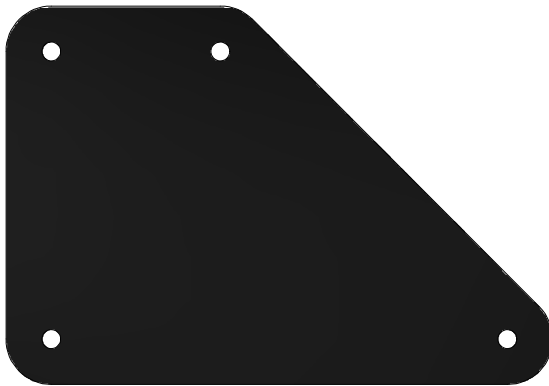
(4) - 90° L-BRACKET - BLK - A4M00555



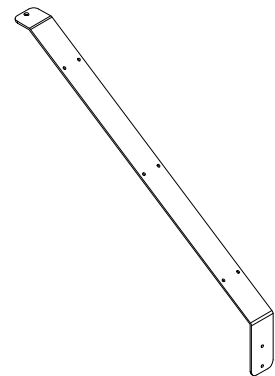
(1) QU - SLIDE VF 10 FT - A100287 OR 50250



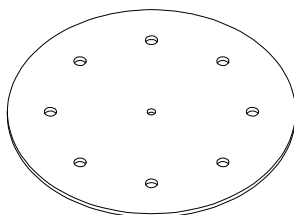
(4) - L BRACKET BLK - A4M00615



(4) - TRIANGLE BRACE - BLK - A4M00827



(8) - METAL ROOF FULL RIB - A4M00842



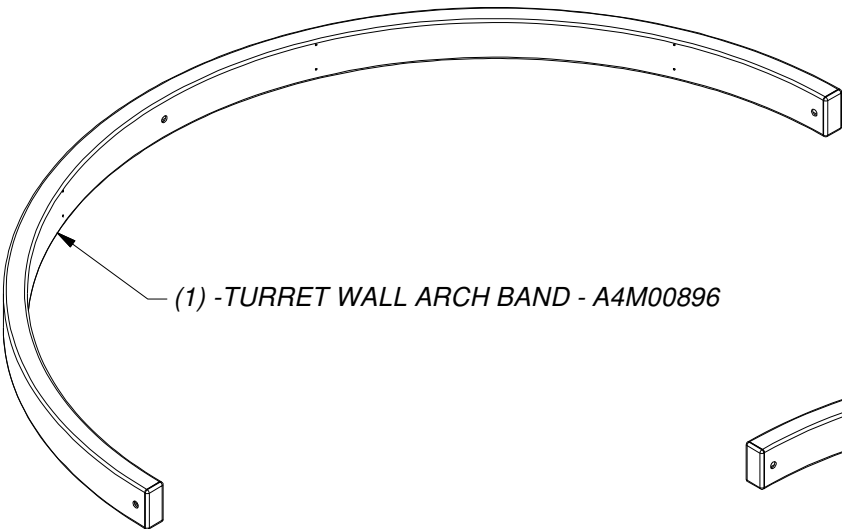
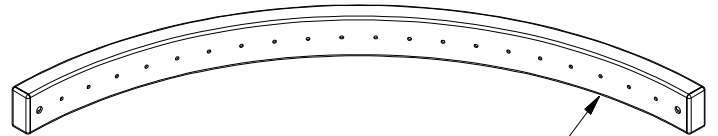
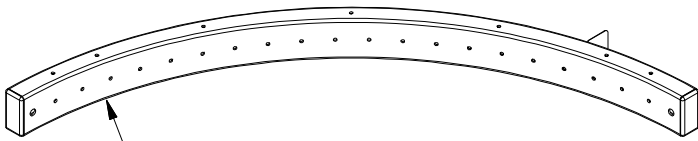
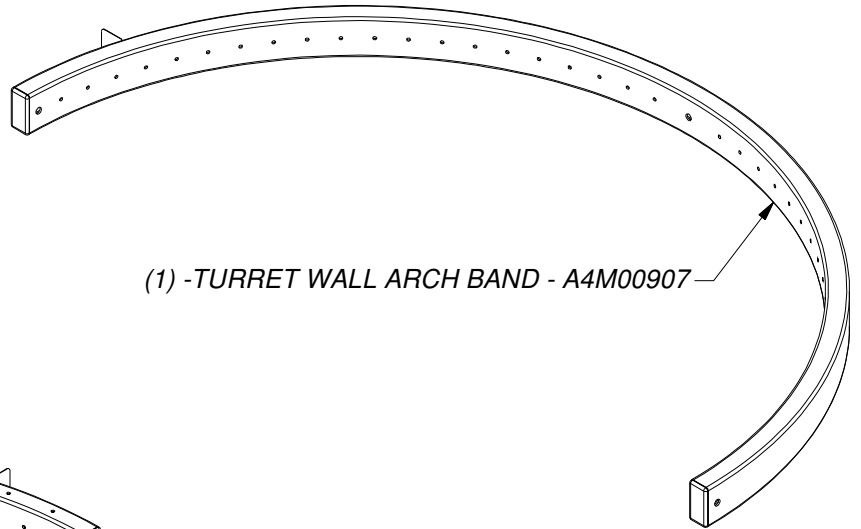
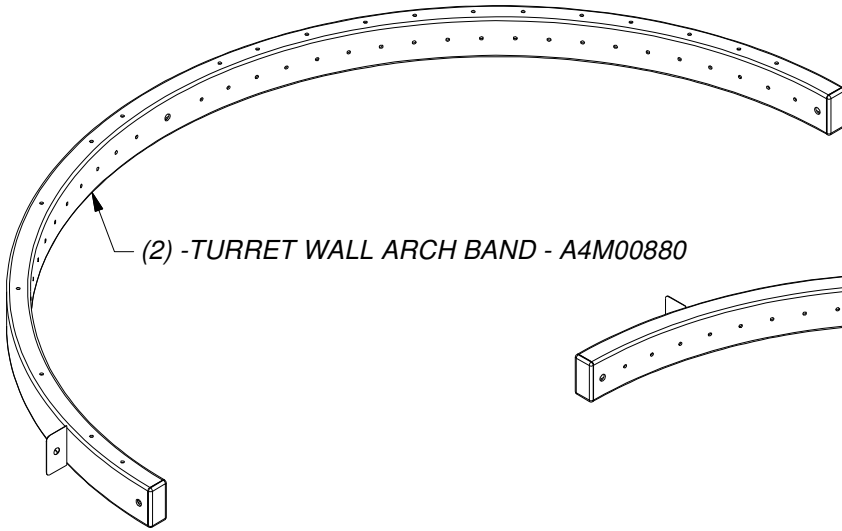
(1) - ROUND ROOF RIB CONNECTOR PLATE - A4M00844



(12) - GREEN HC ROCK #2 - A6P00037

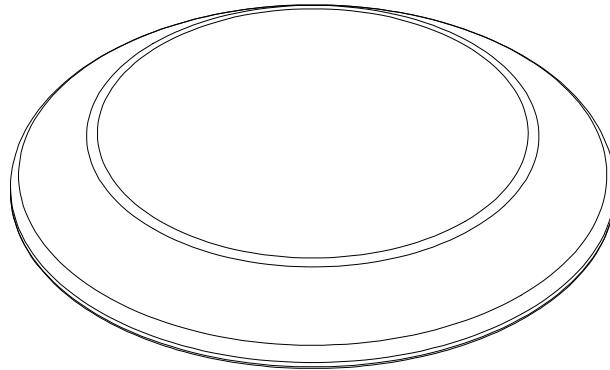
# Parts Identification

Accessories  
(NOT TO SCALE)



# **Parts Identification**

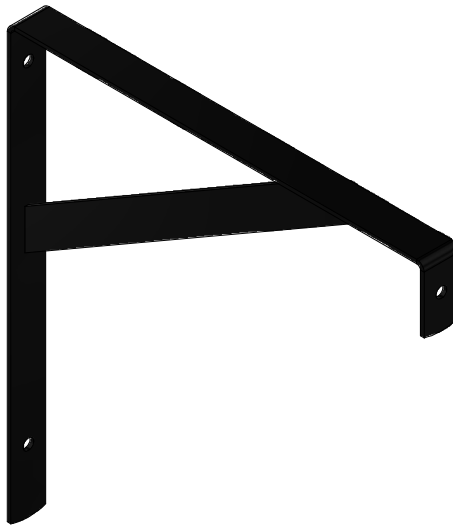
*Accessories*  
**(NOT TO SCALE)**



**(1) - ROUND ROOF PLASTIC CAP - A6P00239**



**(8) - AUGER GROUND STAKE - A100178**



**(2) - METAL ANGLE BRACE - A4M01012**

# PRE-ASSEMBLY STEP 1 - SORTING PARTS

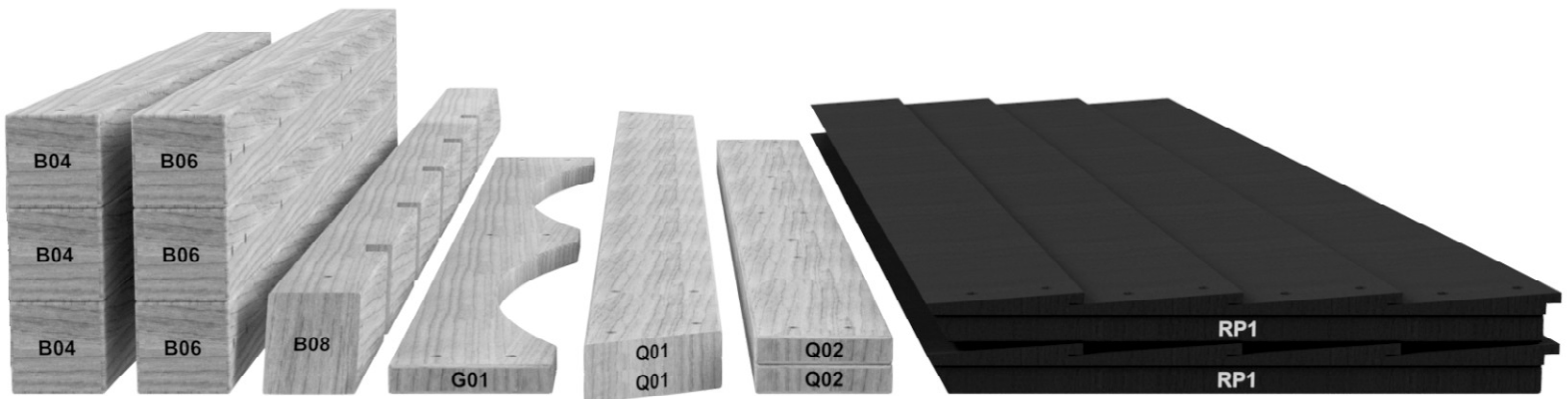
It is critical for ease of assembly that you take the time to sort and organize the wood and hardware.

---

## WOOD PARTS:

- Organize wood parts by the three-digit, alpha-numeric number stamped on each board (ex. P01).
- If there are multiple boards with the same stamped number, stack those pieces together.
- Stamps can be found on the flat surface of the boards or on the end of the boards.
- Allow yourself plenty of room - the wood pieces can take up a significant amount of space.

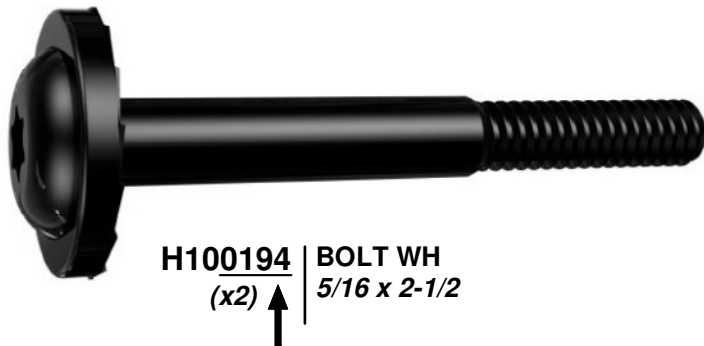
**NOTE: CARTONS ARE NOT ORGANIZED BY BOARD NUMBER.**



---

## HARDWARE PARTS:

- We recommend that you have a separate table to organize the hardware.
- Hardware bags are printed with a seven-digit, alpha-numeric part number.
- You can organize your hardware by part number or group by hardware type (i.e. bolts, nuts, etc.).
- During assembly you only need to reference the last four digits of the number.



# PRE-ASSEMBLY STEP 2 - TOOLS REQUIRED



**Cordless Drill or  
Electric Drill**



**Drill Attachments:  
Phillips Head**



**1/8", 3/16", 3/8" & 7/16"  
Drill Bits**



**Phillips Screw Driver**



**Open End Wrenches 1/2" & 9/16"**



**3/8" Drive Ratchet, 1/2" &  
9/16" STD Sockets 1/2" & 9/16" Deep  
Sockets**



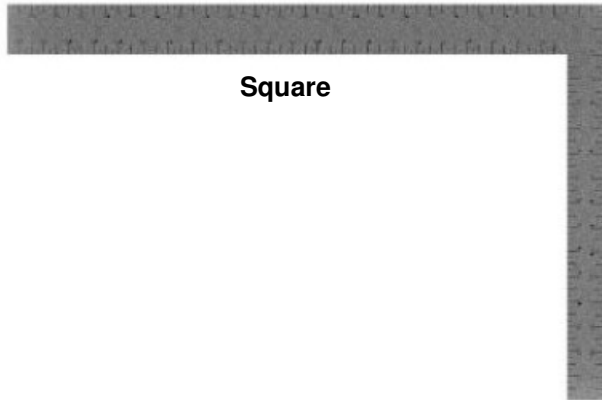
**Claw Hammer**



**Rubber Mallet - Optional**



**Tape Measure**



**Square**





**Level 24"**

# PRE-ASSEMBLY STEP 3 - CHOOSE YOUR ASSEMBLY METHOD

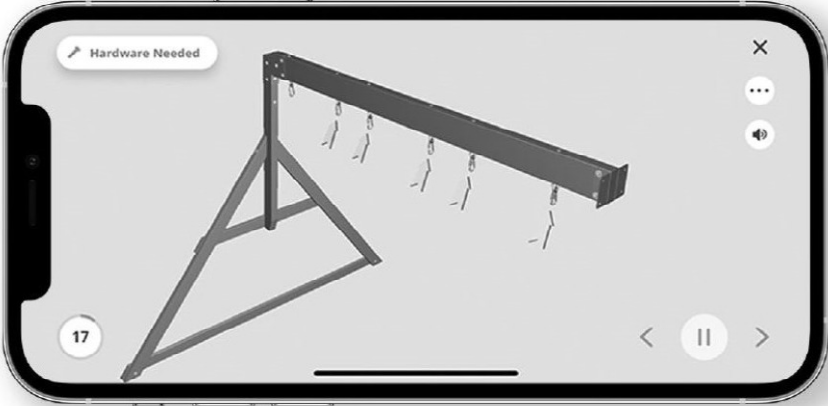


There are several types of assembly instructions available to you.

1. Printed Assembly Manual included with your set
2. BILT APP - 3D interactive instructions
3. Combination of the Printed Manual and BILT APP (Note: Step numbers can differ between the two methods)

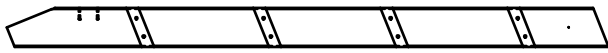


## Scan for easy 3D instructions

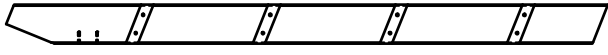
Download the BILT app  
before you begin



The image shows a smartphone screen displaying the BILT app interface. The screen features a 3D assembly diagram of a metal frame with a horizontal beam and several hanging components. The interface includes a 'Hardware Needed' button at the top left, a close button (X) at the top right, a menu button (three dots) and a volume icon below it, and a page number '17' in a circle at the bottom left. At the bottom center, there are navigation buttons: a back arrow, a pause button, and a forward arrow.



(1) H31 - LEFT UPRIGHT - W4L08718  
1"x3 3/8"x52 1/4" (24x86x1328)

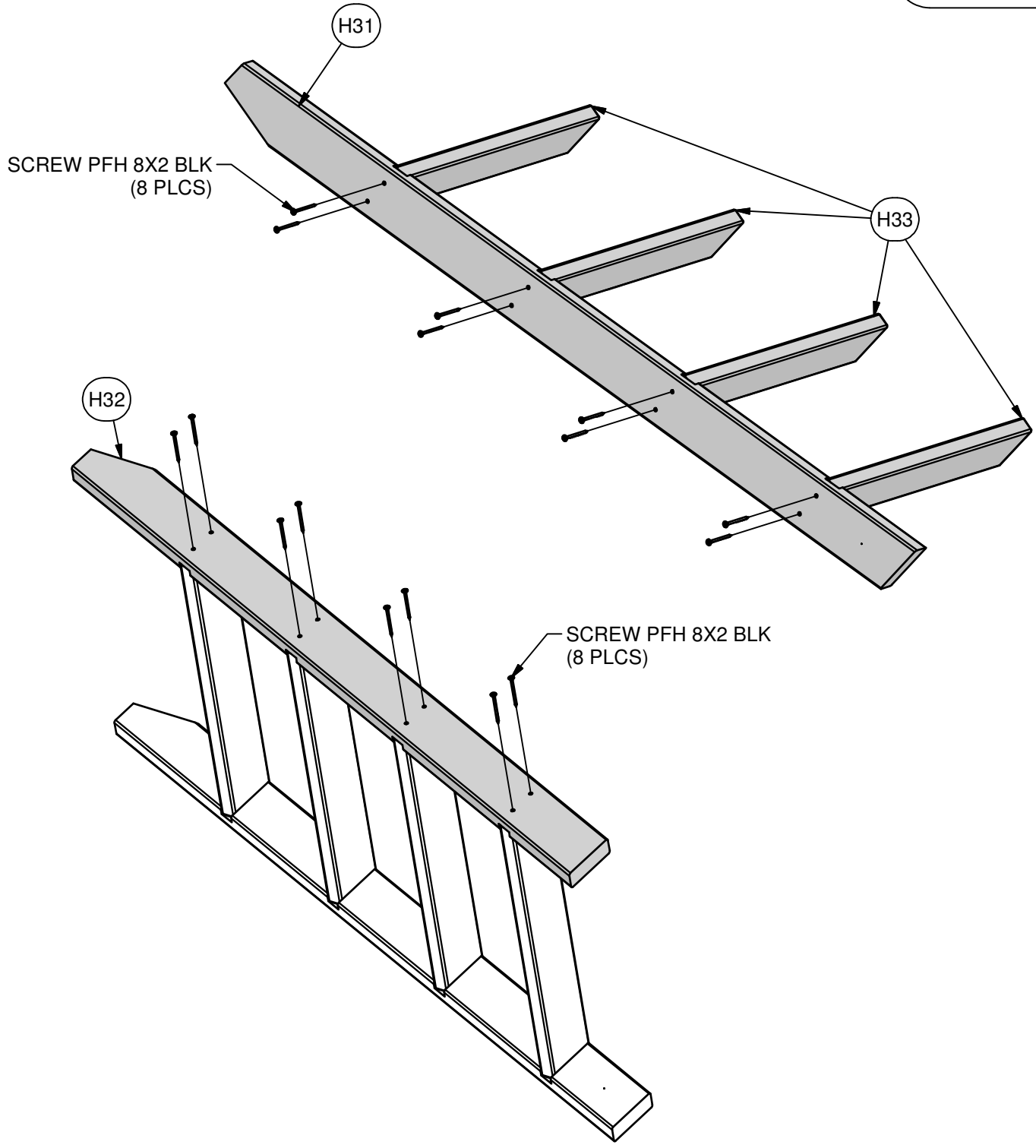
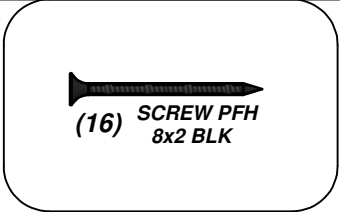


(1) H32 - RIGHT UPRIGHT - W4L08719  
1"x3 3/8"x52 1/4" (24x86x1328)

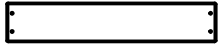


(4) H33 - LADDER RUNG - W4L08722  
1"x3 3/8"x17 1/8" (24x86x434)

### 4 FOOT LADDER ASSEMBLY STEP 1







(1) M25 - REAR SUPPORT - W4L08721  
5/8"x3 3/8"x18 1/4" (16x86x462)



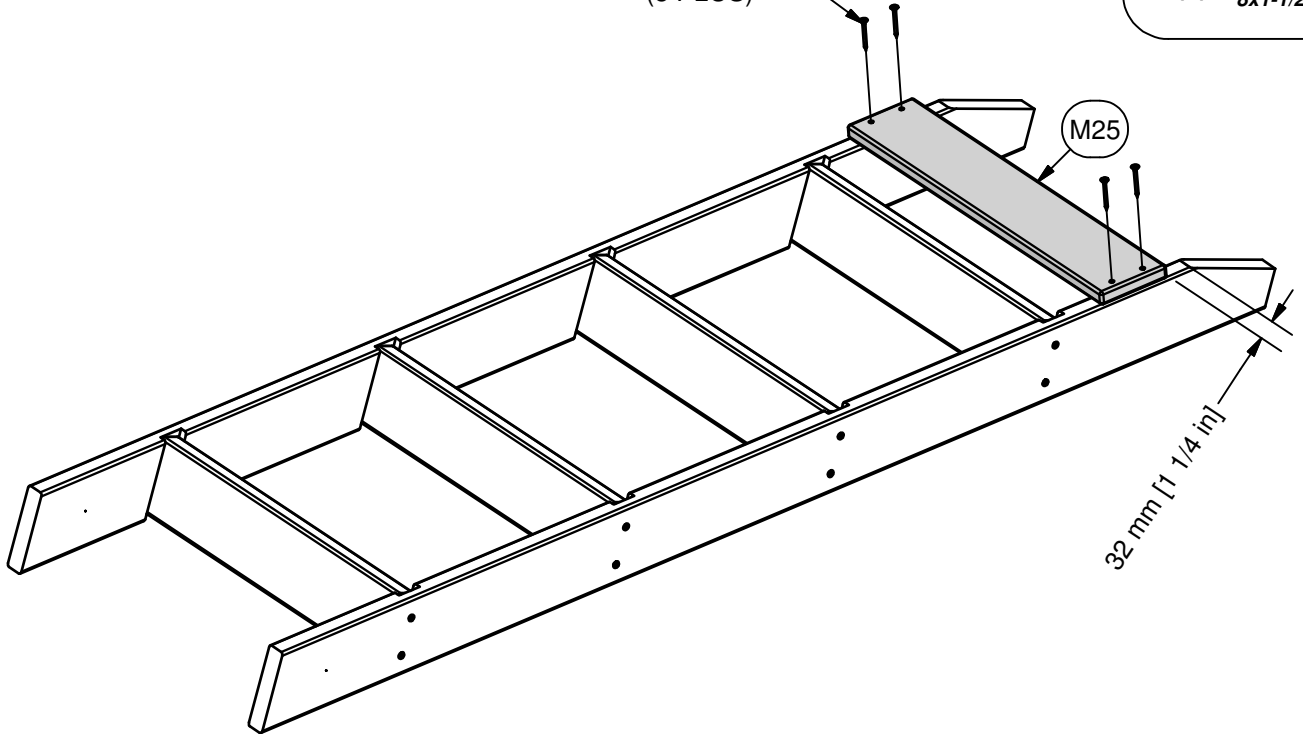
(1) M24 - ATTACHMENT BOARD - W4L08720  
5/8"x3 3/8"x18 1/4" (16x86x462)

**4 FOOT LADDER ASSEMBLY  
STEP 2**

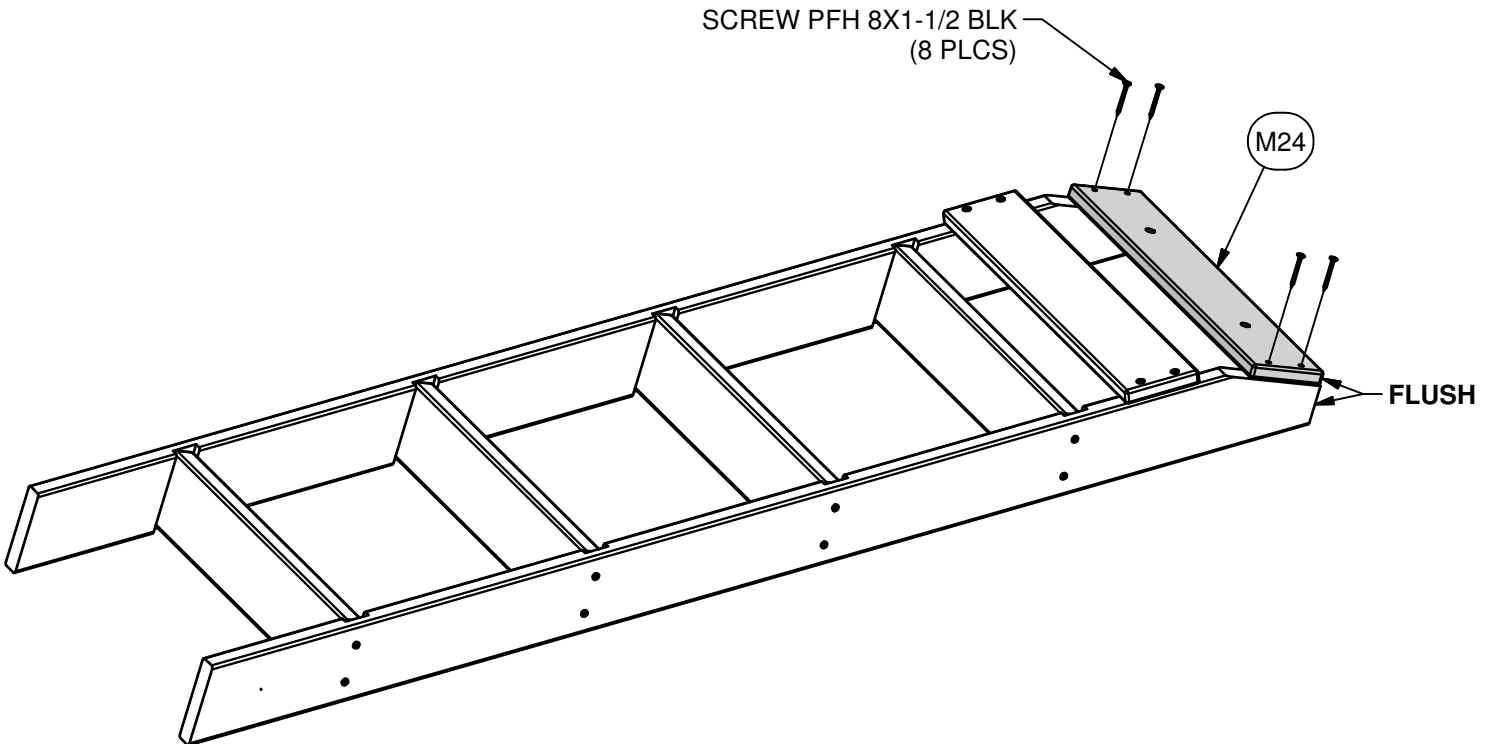


(8) SCREW PFH  
8x1-1/2 BLK

SCREW PFH 8X1-1/2 BLK  
(8 PLCS)

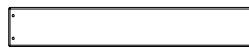


SCREW PFH 8X1-1/2 BLK  
(8 PLCS)





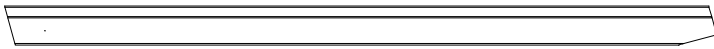
(1) E4 - RIGHT RAIL - W4L08724  
1 3/8"x3 3/8"x61 3/4" (36x86x1570)



(10) M26 - ROCK WALL BOARD - W4L08725  
5/8"x3 3/8"x21 5/8" (16x86x548)



(4) M29 - ROCK WALL BOARD - W4L08727  
5/8"x3 3/8"x21 5/8" (16x86x548)



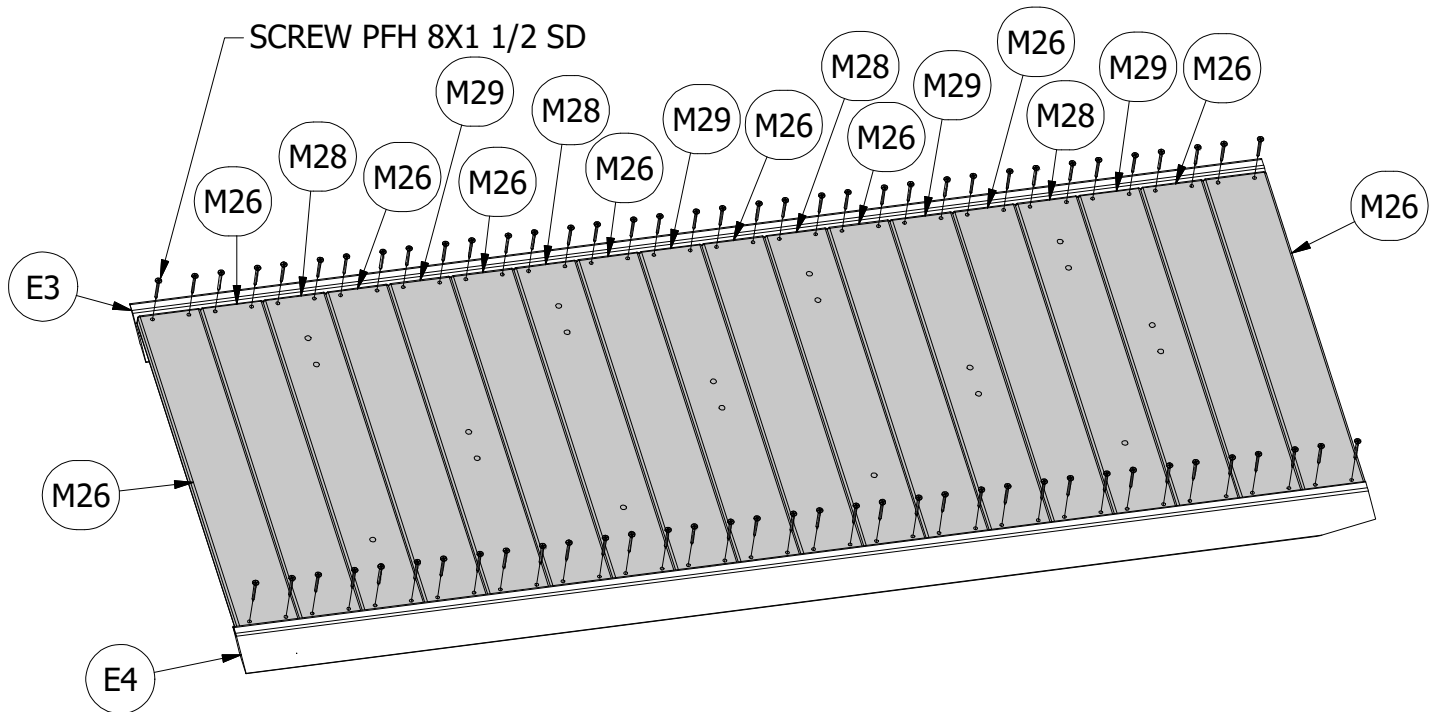
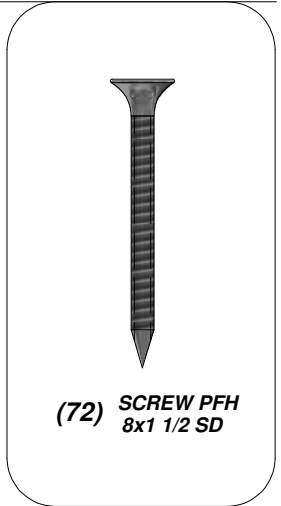
(1) E3 - LEFT RAIL - W4L08723  
1 3/8"x3 3/8"x61 3/4" (36x86x1570)



(4) M28 - ROCK WALL BOARD - W4L08726  
5/8"x3 3/8"x21 5/8" (16x86x548)

## 5 FOOT ROCK WALL ASSEMBLY

### STEP 1



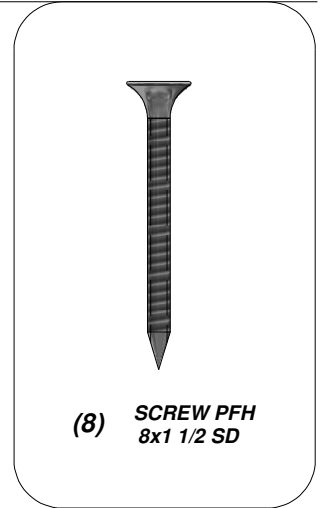


(1) **M30 - ROCK WALL END BOARD - W4L08728**  
5/8"x3 3/8"x22 7/8" (16x86x580)

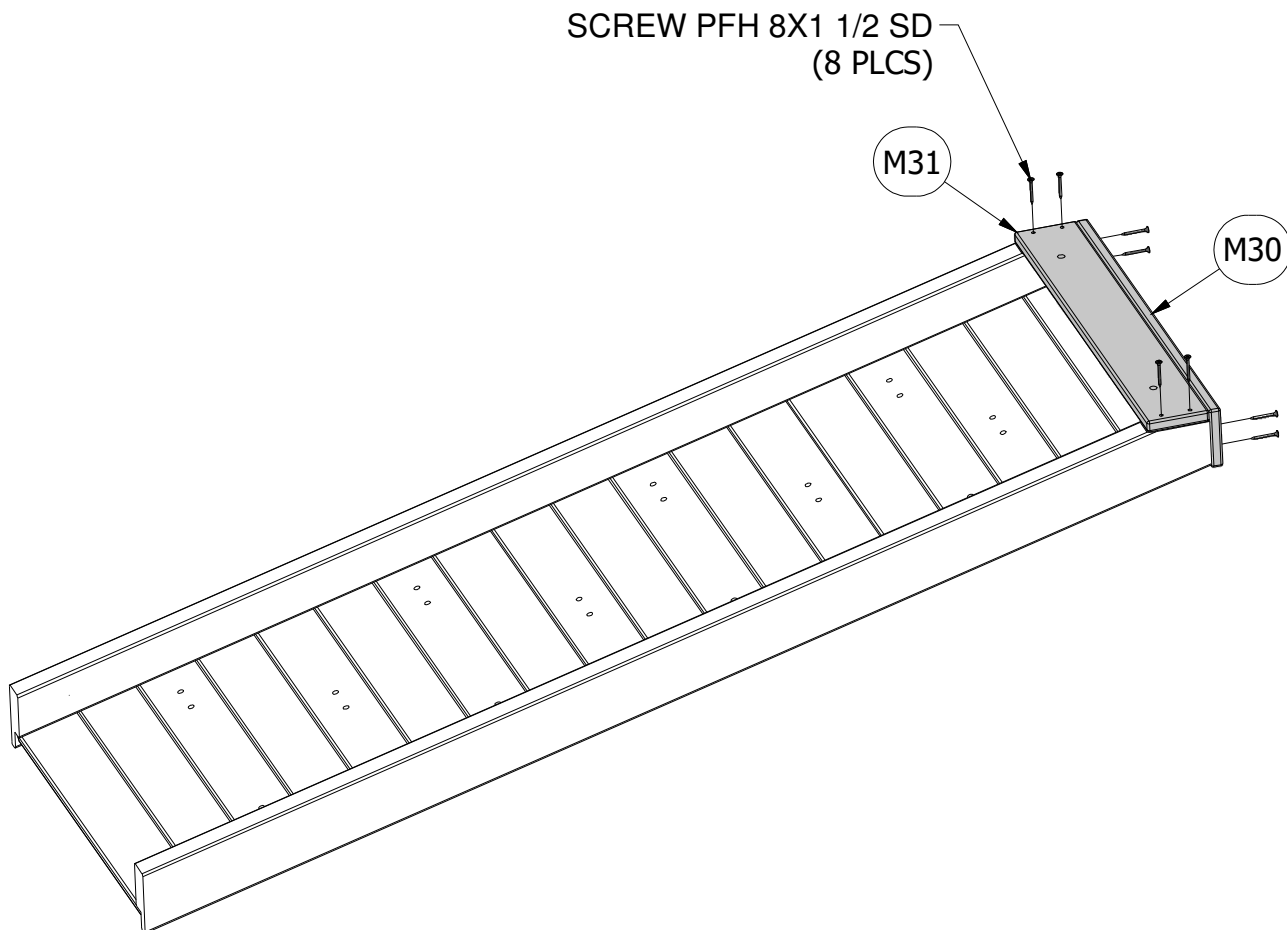


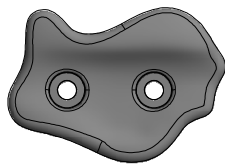
(1) **M31 - ATTACHMENT BOARD - W4L08729**  
5/8"x3 3/8"x22 7/8" (16x86x580)

**STEP 2**



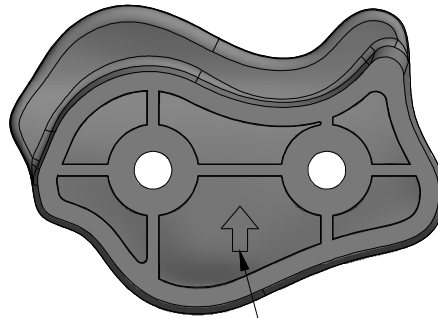
(8) **SCREW PFH**  
8x1 1/2 SD





(12) - GREEN HC ROCK #2 - A6P00037

**STEP 3**



ARROW POINTS TO THE TOP.



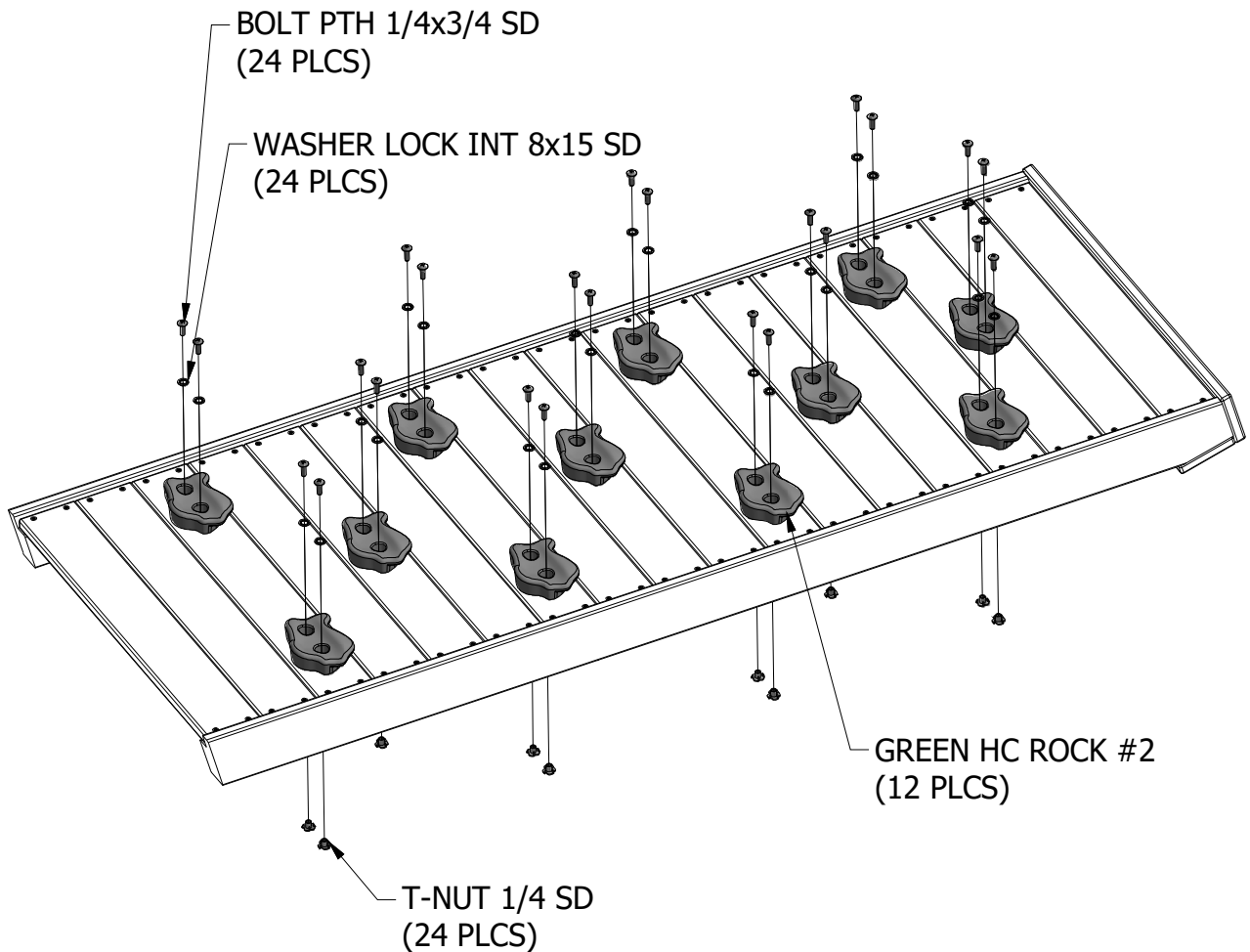
(24) BOLT PTH 1/4x3/4 SD

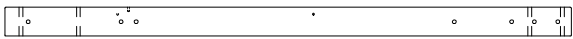


(24) WASHER LOCK INT 8x15 SD

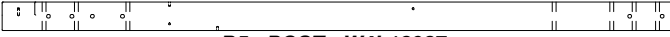


(24) T-NUT 1/4 SD

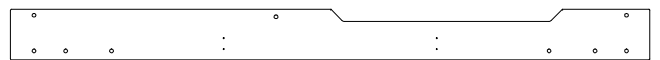




(1) **B1 - POST - W4L08453**  
3"x3"x59" (76x76x1500)



(1) **B5 - POST - W4L12937**  
3"x3"x69 3/4" (76x76x1771)



(1) **G2 - WALL SUPPORT - W4L08460**  
1"x5 1/4"x66 5/8" (24x134x1692)

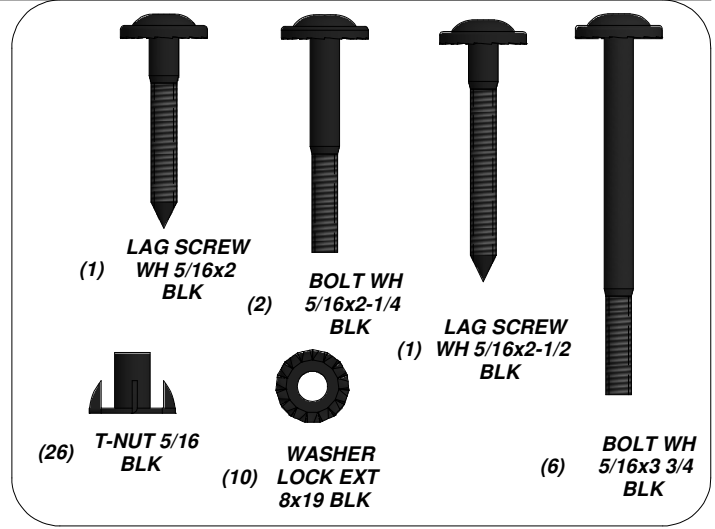
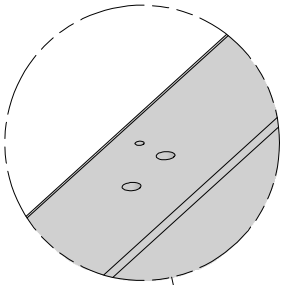
(1) **E7 - ANGLE BRACE - W4L08494**  
1 3/8"x3 3/8"x38 1/2" (36x86x978)



(1) **K3 - BASE BOARD - W4L08457**  
1"x5 1/4"x89 1/2" (24x134x2274)

### STEP 1

**IT IS RECOMMENDED THAT YOU PLACE ALL T-NUTS BEFORE YOU BEGIN ASSEMBLY OF PARTS**



**LAG SCREW**  
(1) WH 5/16x2 BLK

**BOLT WH**  
(2) 5/16x2-1/4 BLK

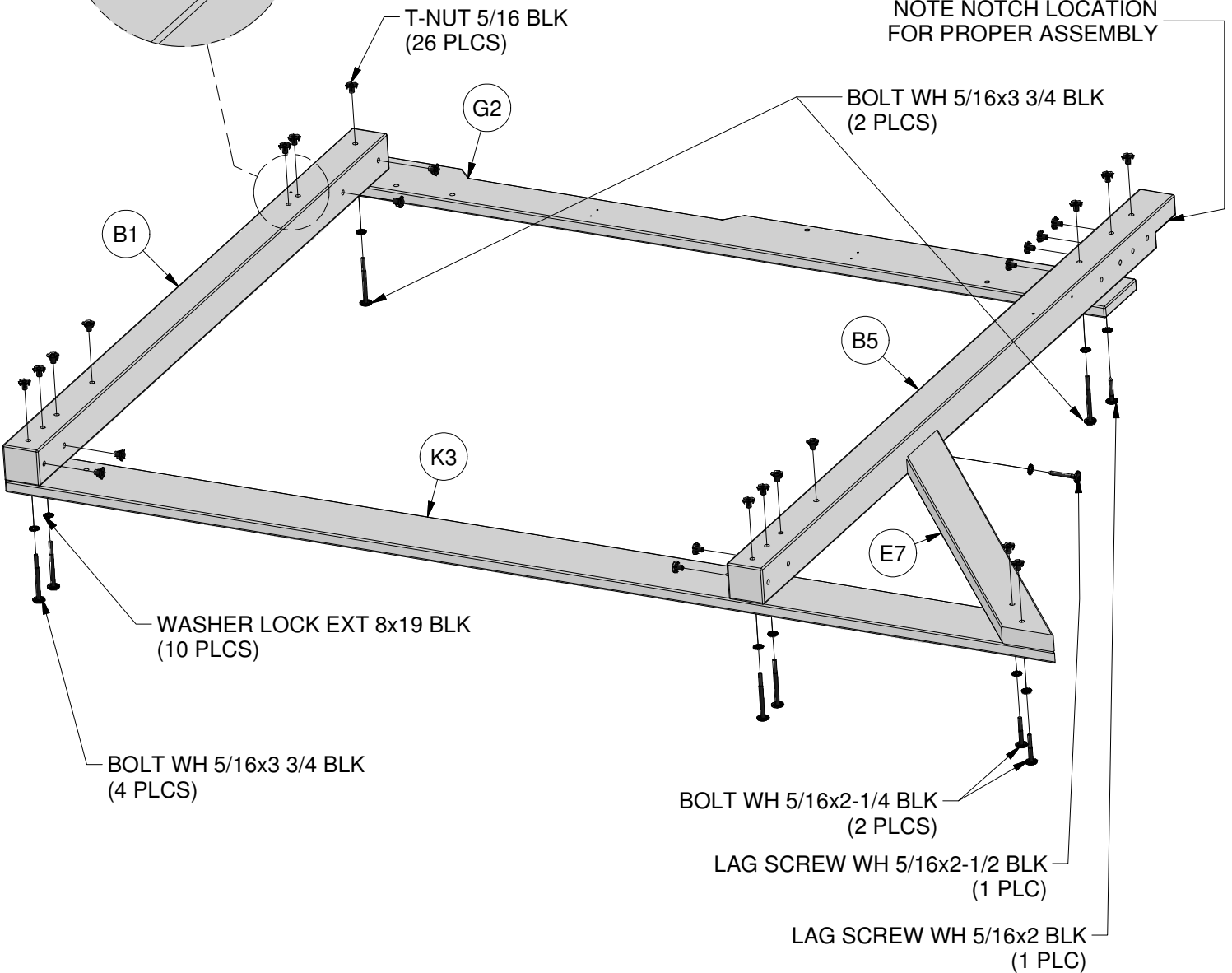
**LAG SCREW**  
(1) WH 5/16x2-1/2 BLK

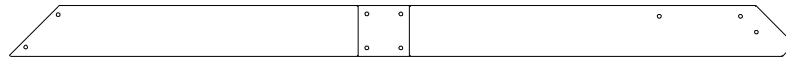
(26) **T-NUT 5/16**  
BLK

(10) **WASHER**  
**LOCK EXT**  
8x19 BLK

(6) **BOLT WH**  
5/16x3 3/4 BLK

NOTE NOTCH LOCATION FOR PROPER ASSEMBLY





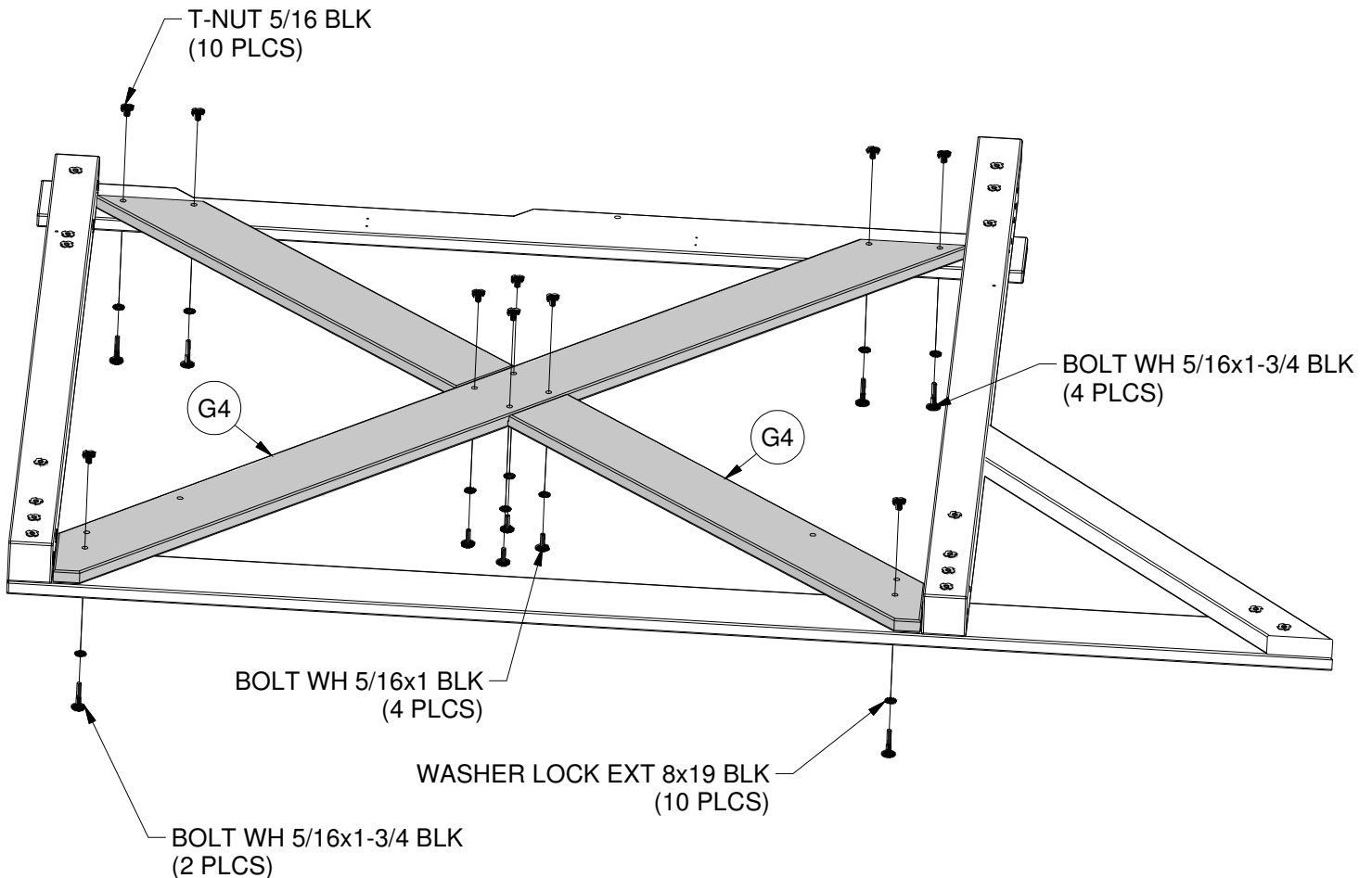
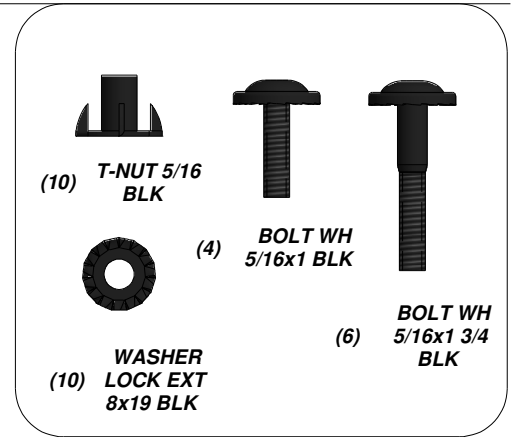
(2) **G4 - CROSS BRACE - W4L08463**  
1"x5 1/4"x81 7/8" (24x134x2081)

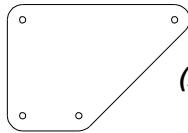
## STEP 2

**IT IS RECOMMENDED THAT YOU PLACE ALL T-NUTS BEFORE YOU BEGIN ASSEMBLY OF PARTS**



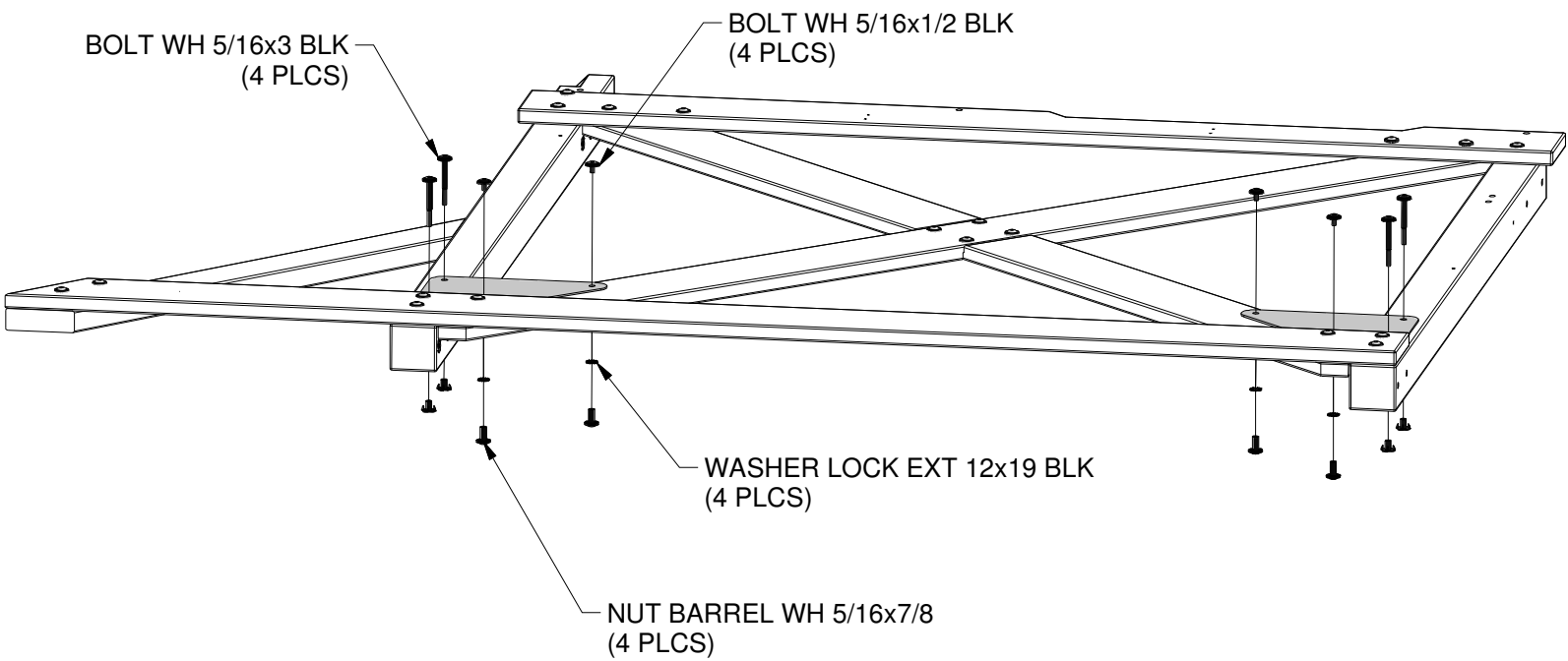
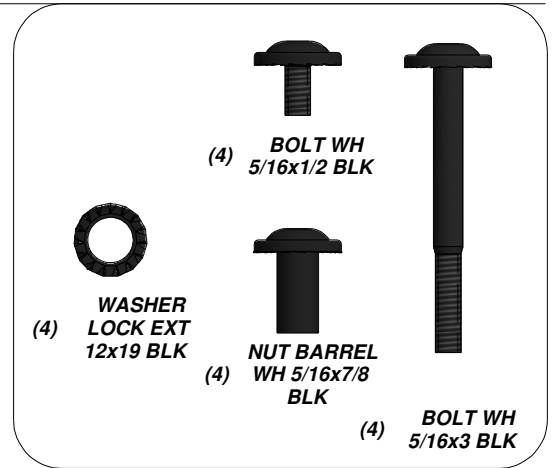
**IT IS RECOMMENDED THAT YOU SQUARE THE ASSEMBLY OF PARTS IN THIS STEP.**

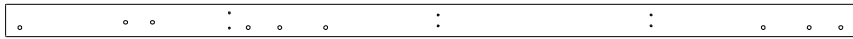




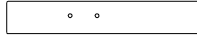
(2) - TRIANGLE BRACE 100x200x12ga - BLK - A4M00827

**STEP 3**



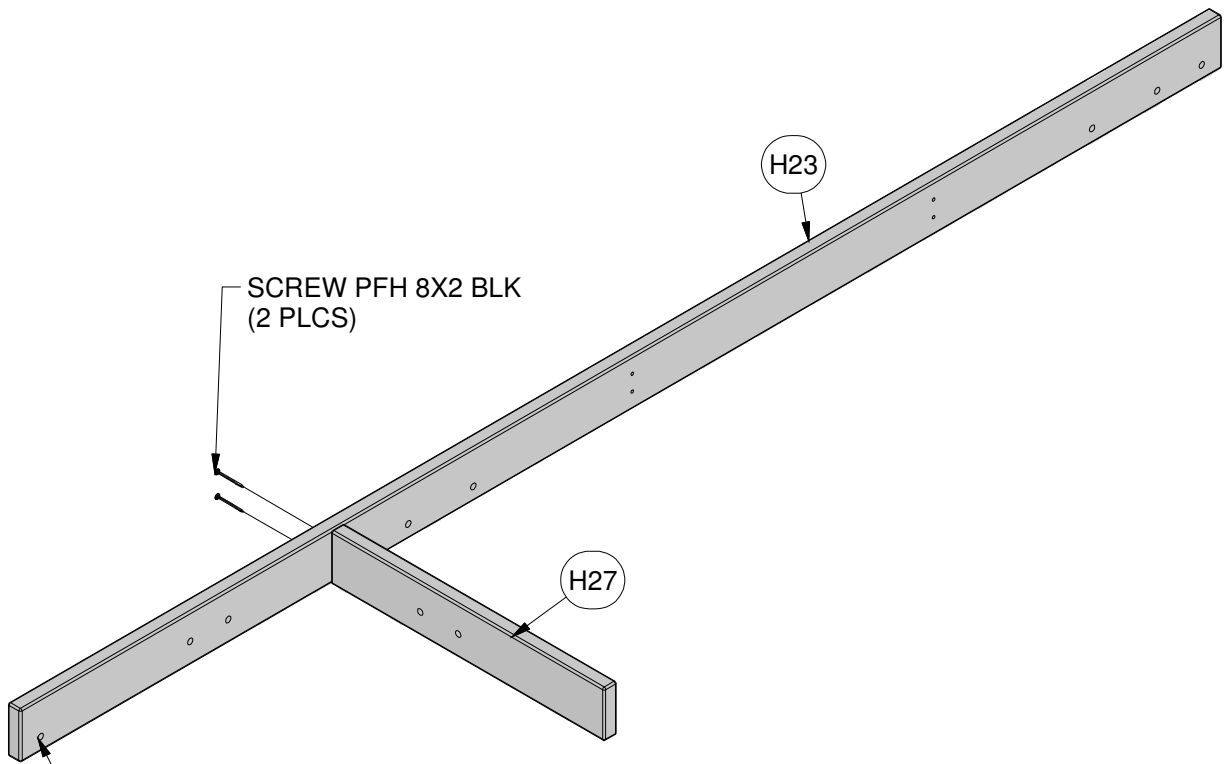
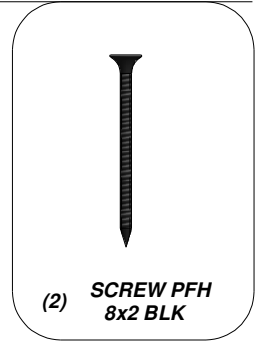


(1) H23 - FLOOR SUPPORT - W4L08569

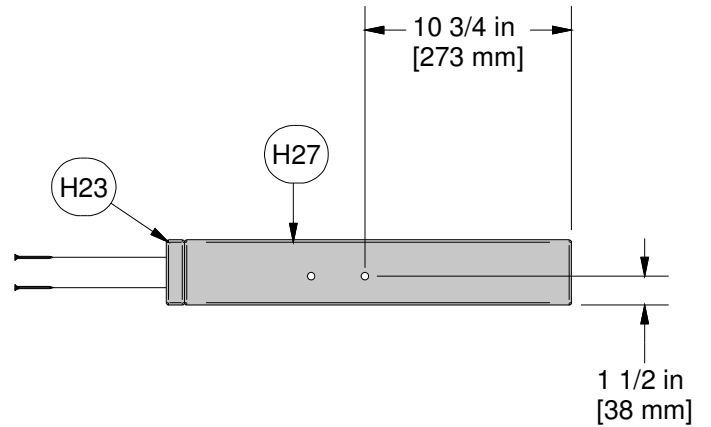


(1) H27 - FLOOR SUPPORT - W4L08701

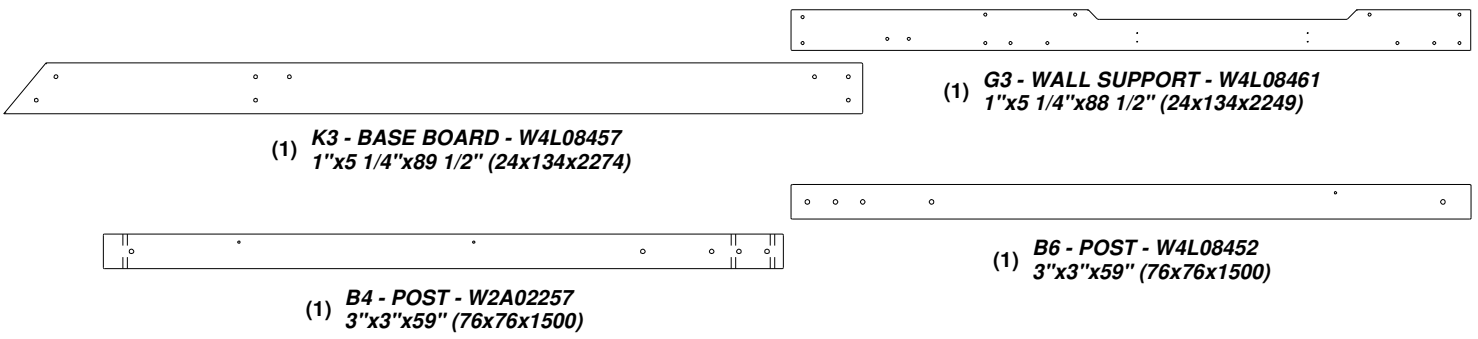
**STEP 4**



NOTE HOLE LAYOUT FOR PROPER ASSEMBLY

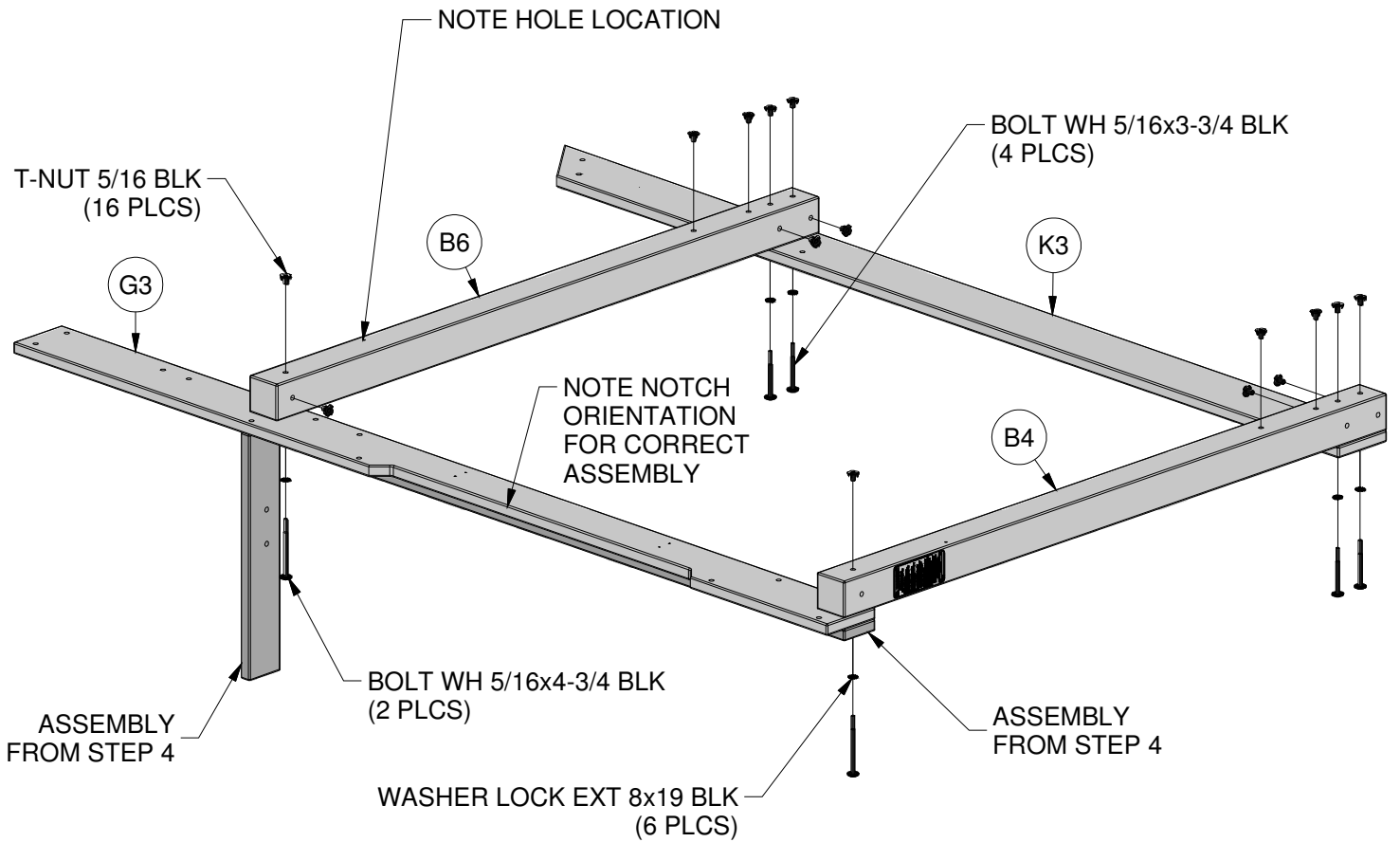
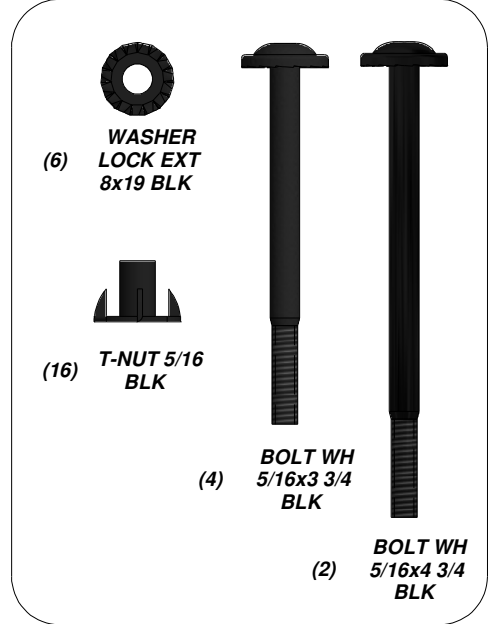






**STEP 5**

**IT IS RECOMMENDED THAT YOU PLACE ALL T-NUTS BEFORE YOU BEGIN ASSEMBLY OF PARTS**

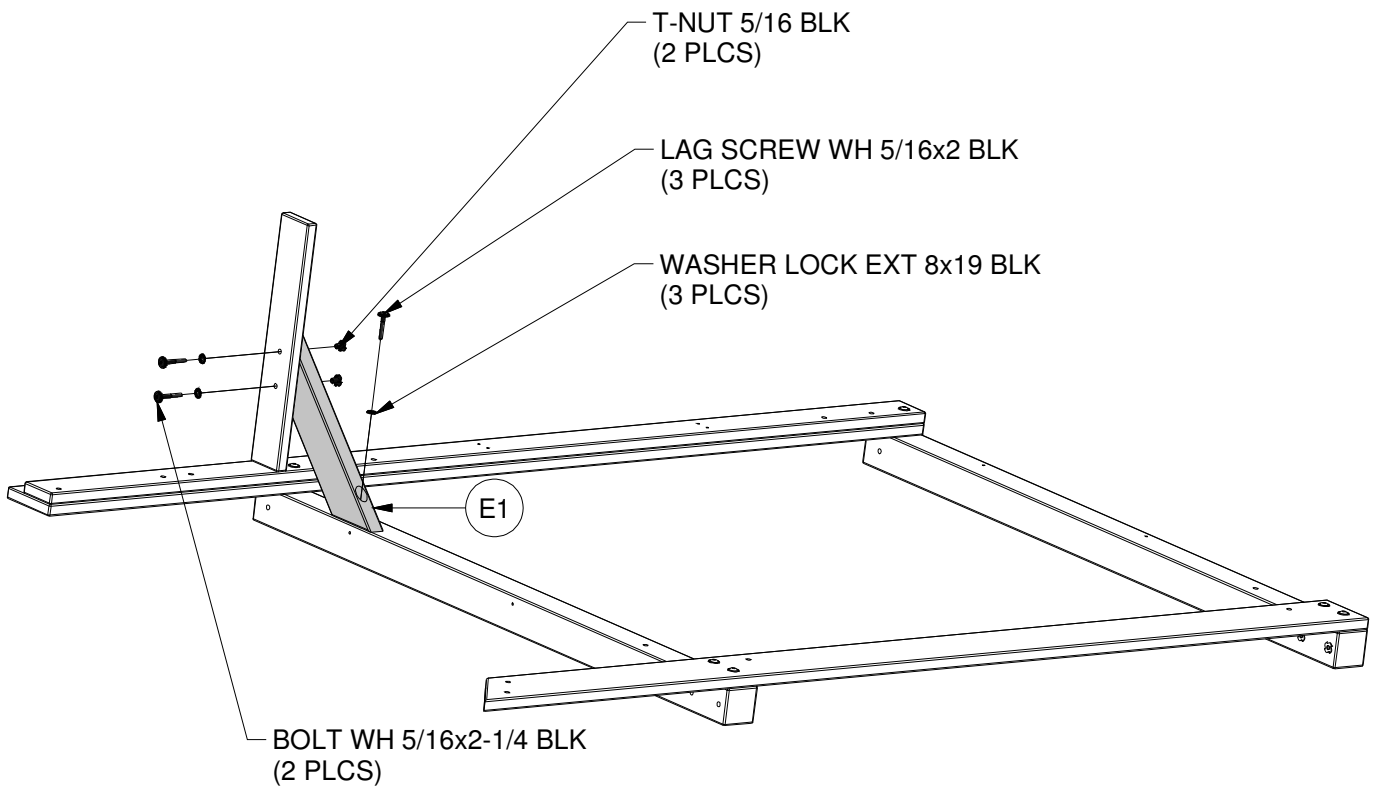
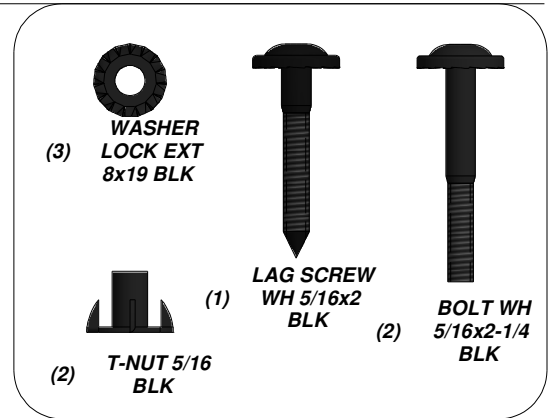


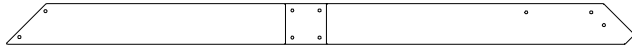


(1) **E1 - ANGLE SUPPORT - W4L08458**  
1 3/8"x3 3/8"x18 3/4" (36x86x475)

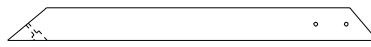
### STEP 6

**IT IS RECOMMENDED THAT YOU PLACE ALL T-NUTS BEFORE YOU BEGIN ASSEMBLY OF PARTS**





(2) **G4 - CROSS BRACE - W4L08463**  
1"x5 1/4"x81 7/8" (24x134x2081)



(1) **E7 - ANGLE BRACE - W4L08494**  
1 3/8"x3 3/8"x38 1/2" (36x86x978)



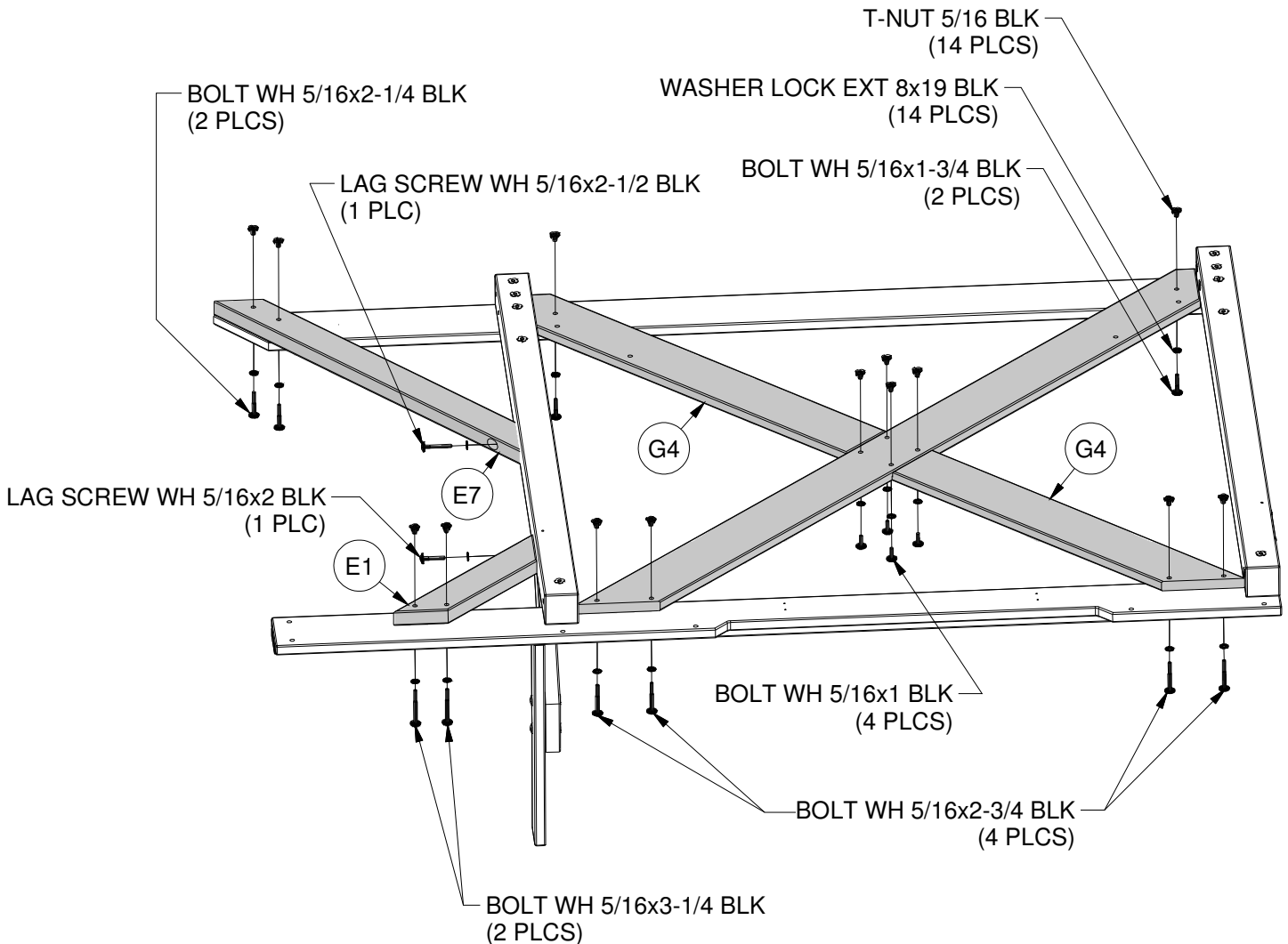
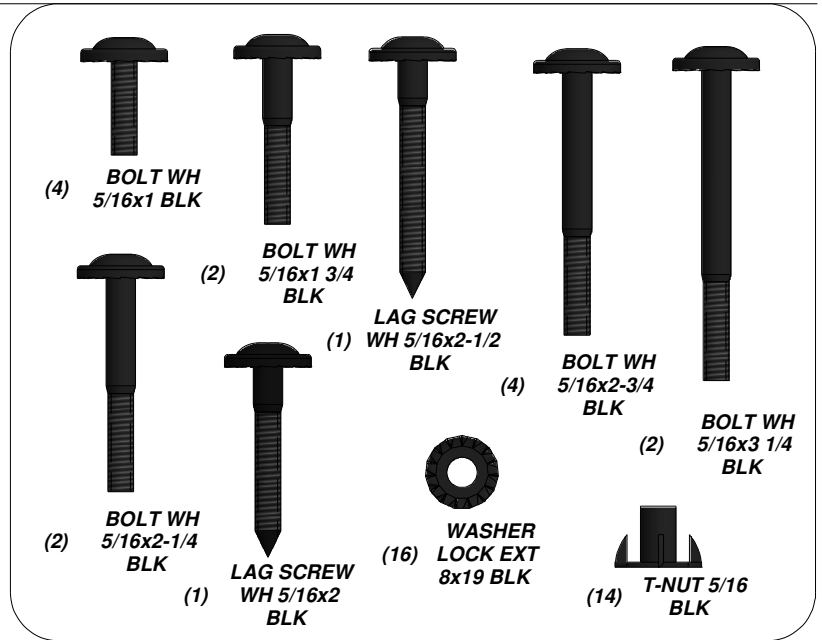
(1) **E1 - ANGLE SUPPORT - W4L08458**  
1 3/8"x3 3/8"x18 3/4" (36x86x475)

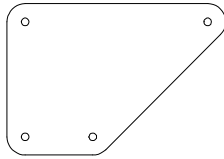
### STEP 7

**IT IS RECOMMENDED THAT YOU PLACE ALL T-NUTS BEFORE YOU BEGIN ASSEMBLY OF PARTS**



**IT IS RECOMMENDED THAT YOU SQUARE ASSEMBLY OF PARTS AT THIS TIME.**

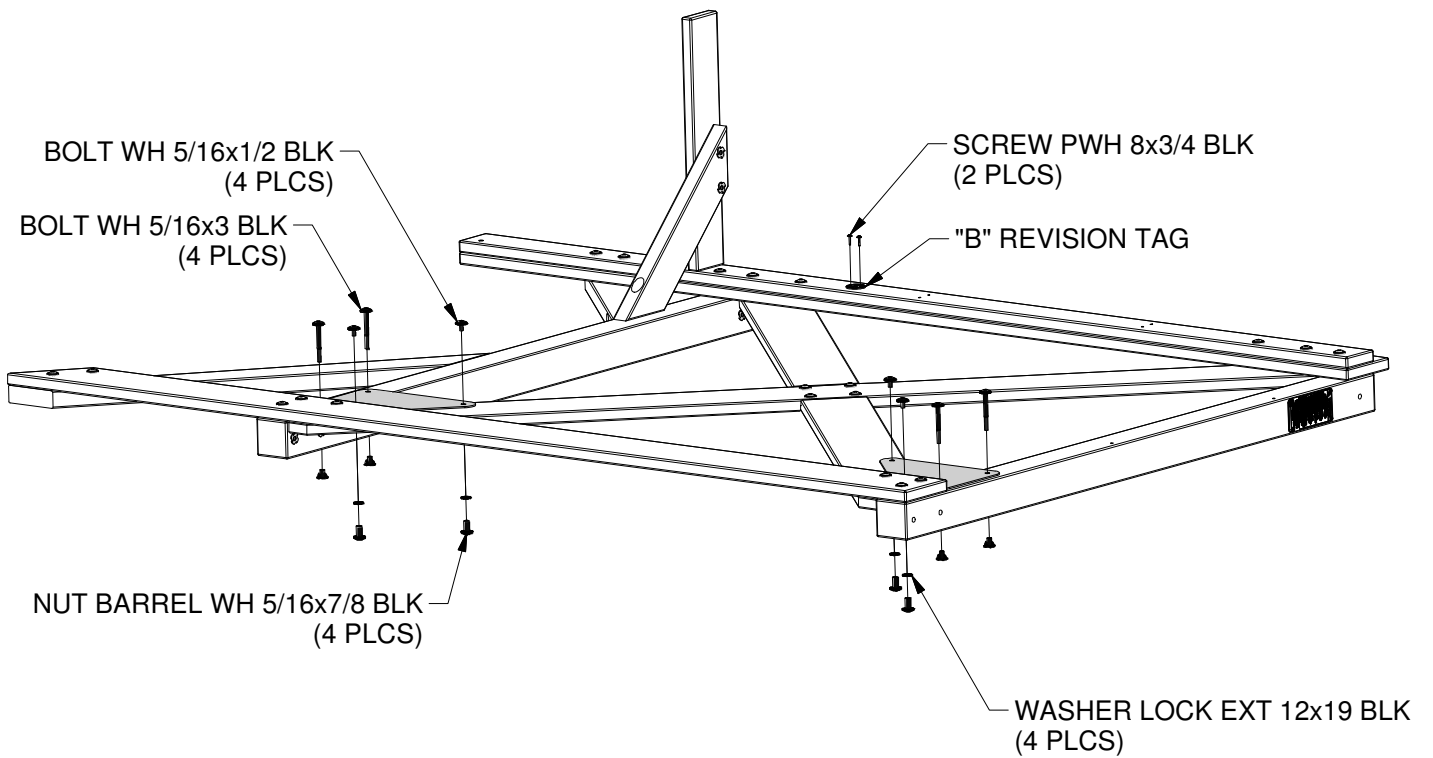
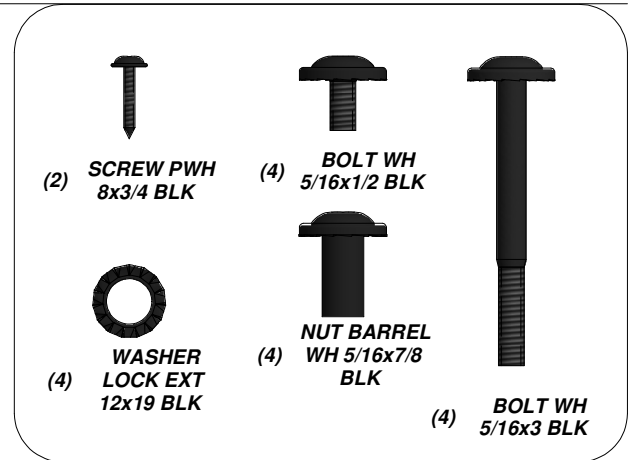
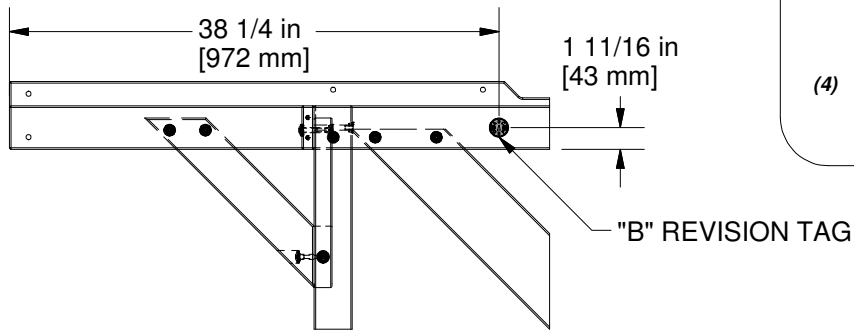




(2) - TRIANGLE BRACE - BLK - A4M00827  
100x200x12ga.

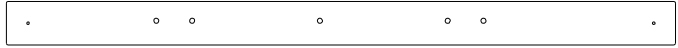
(1) - "B" REVISION TAG - A100315

**STEP 8**



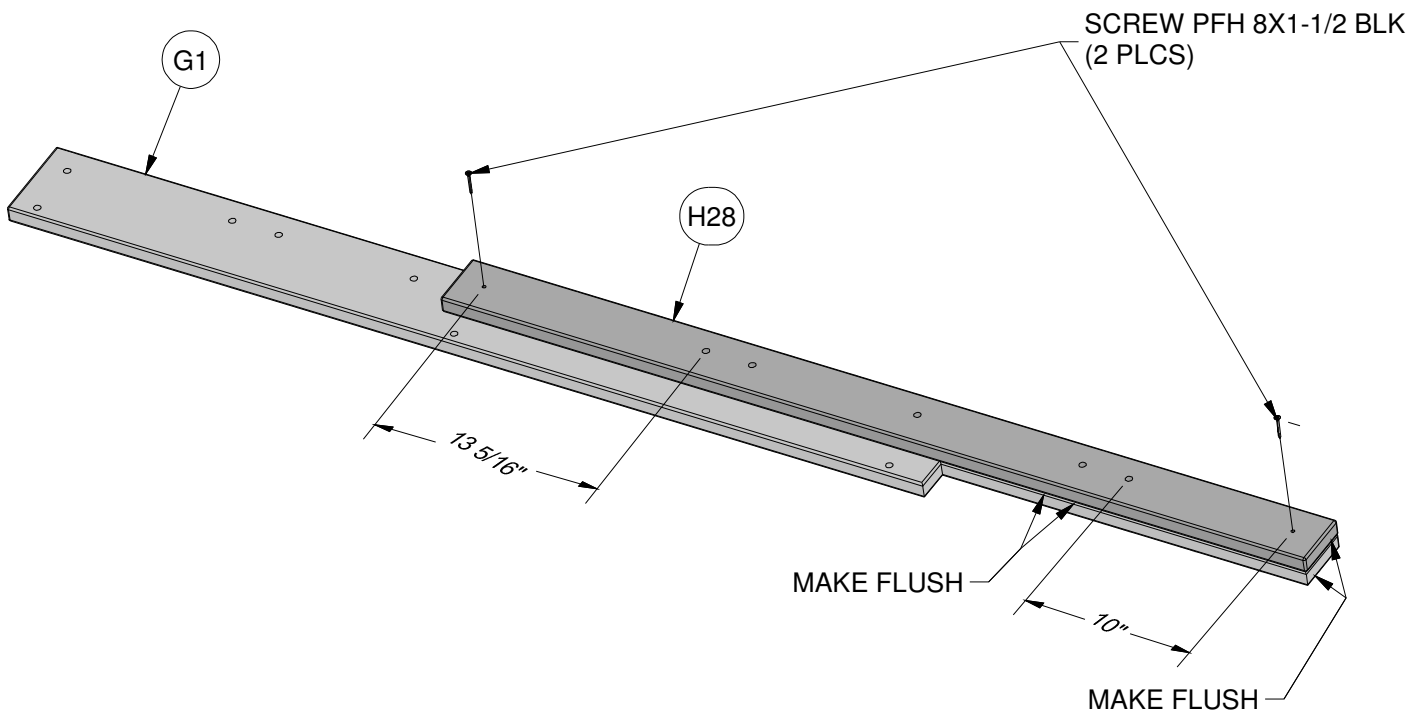
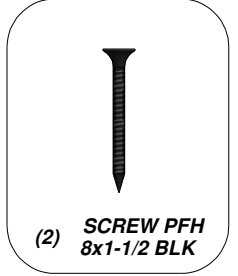


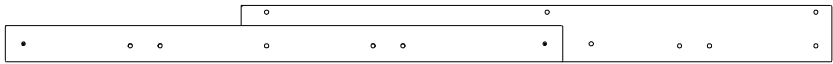
(1) **G1 - WALL SUPPORT - W4L08459**  
1"x5 1/4"x77 1/2" (24x134x1968)



(1) **H28 - FLOOR SUPPORT - W4L08713**  
1"x3 3/8"x52 1/4" (24x86x1328)

**STEP 9**



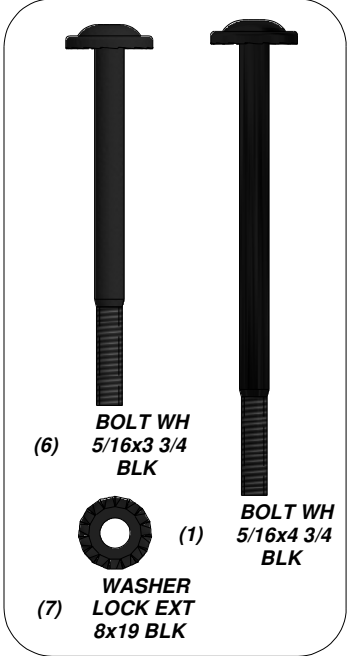
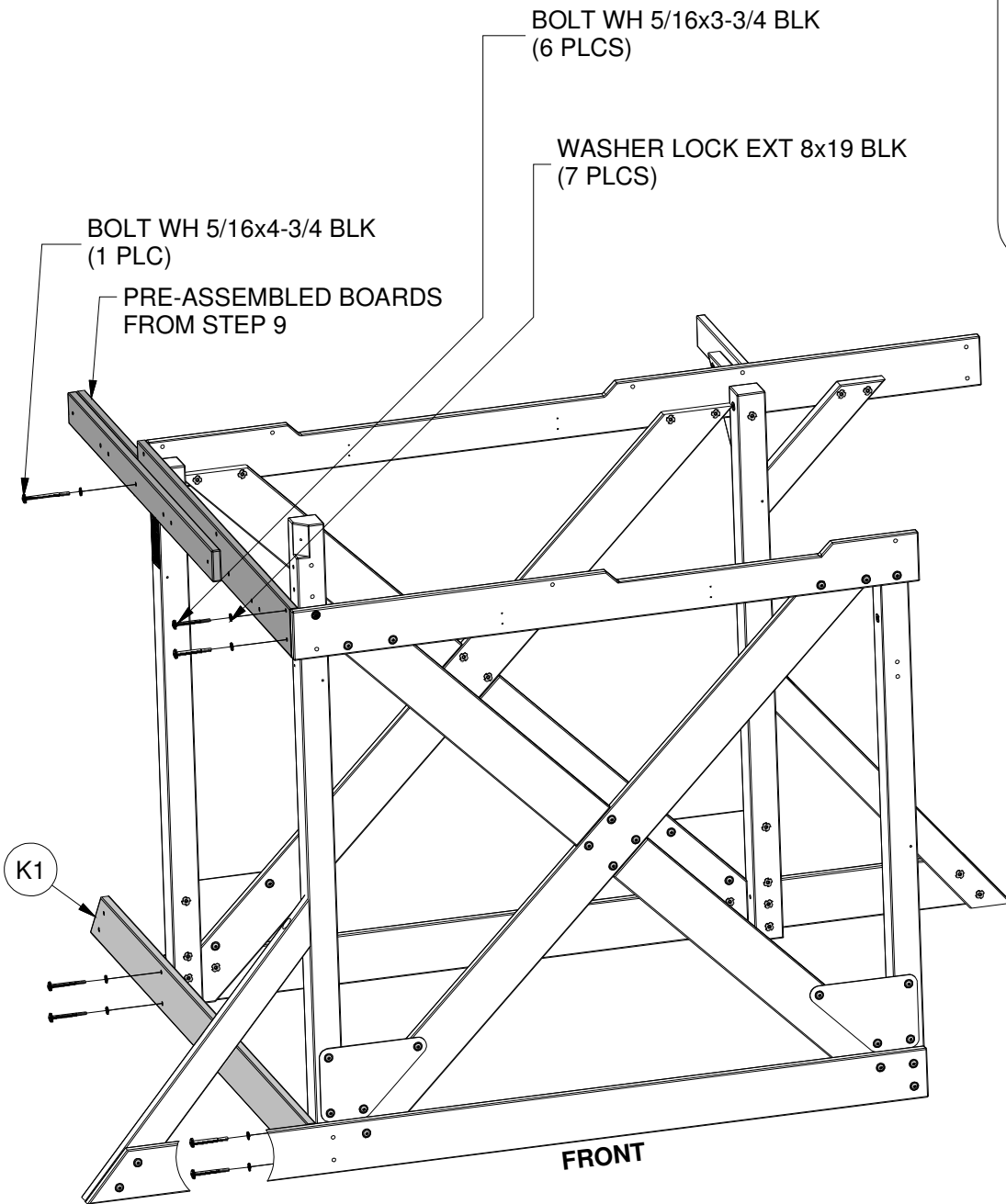


PRE-ASSEMBLED BOARDS  
FROM STEP 9



(1) **K1 - BASE BOARD - W4L08455**  
1"x5 1/4"x79 1/4" (24x134x2014)

**STEP 10**



(1) **T1 - FLOOR SUPPORT - W4L08466**  
 1"x1 3/8"x48 3/8" (24x34x1230)

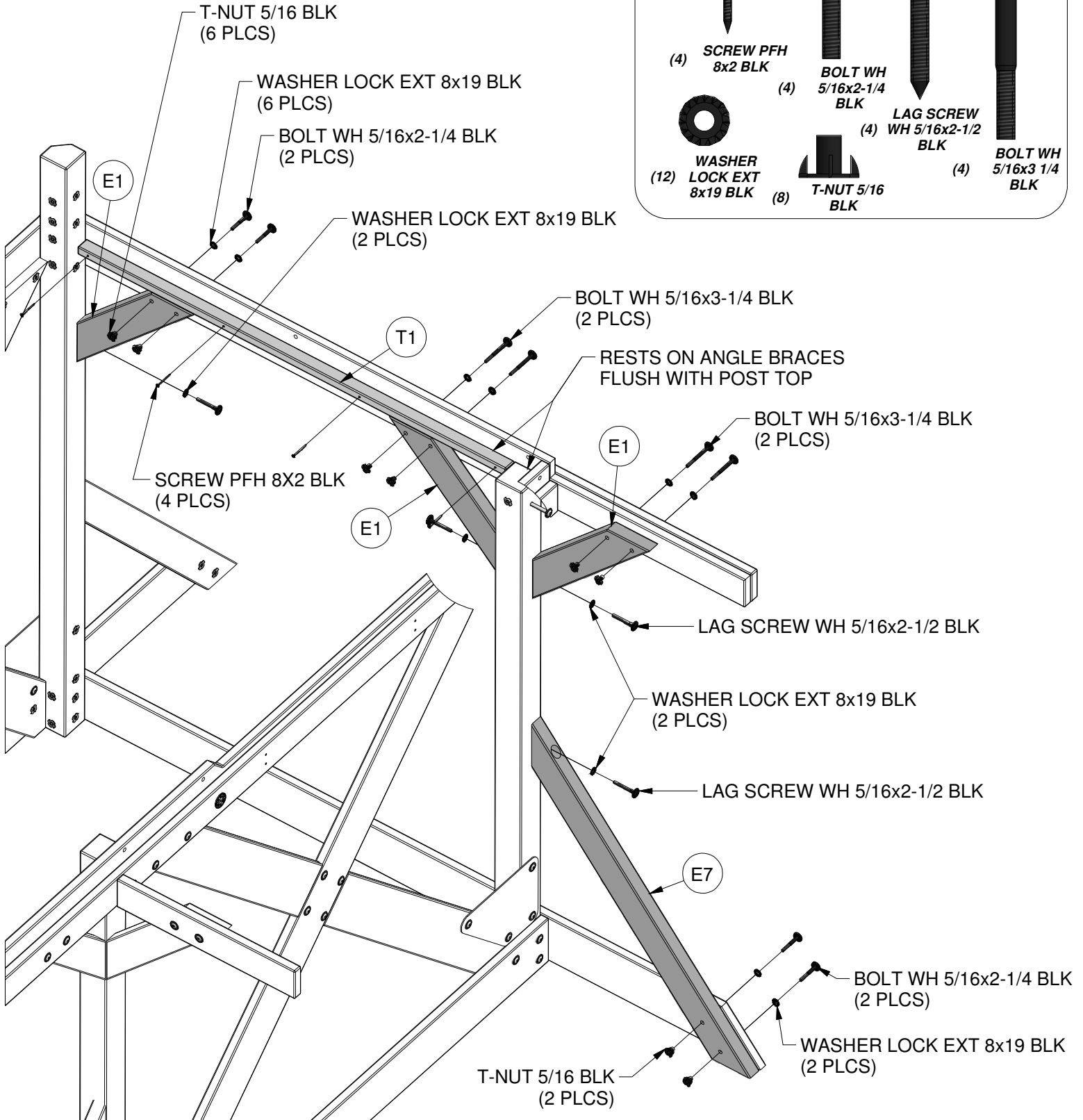


(1) **E7 - ANGLE BRACE - W4L08494**  
 1 3/8"x3 3/8"x38 1/2" (36x86x978)



(3) **E1 - ANGLE SUPPORT - W4L08458**  
 1 3/8"x3 3/8"x18 3/4" (36x86x475)

**STEP 11**





(1) **B2 - POST - W4L08454**  
3"x3"x59" (76x76x1500)



(1) **H1 - FLOOR SUPPORT - W4L08462**  
1"x3 3/8"x54 1/2" (24x86x1384)



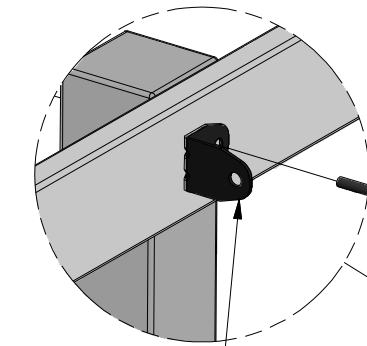
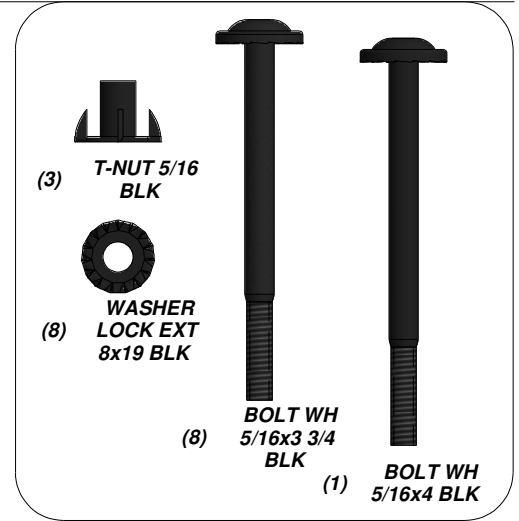
(1) **K2 - BASE BOARD - W4L08456**  
1"x5 1/4"x79 1/4" (24x134x2014)



**L BRACKET**  
(1) 2.5x38x50x55  
BLK

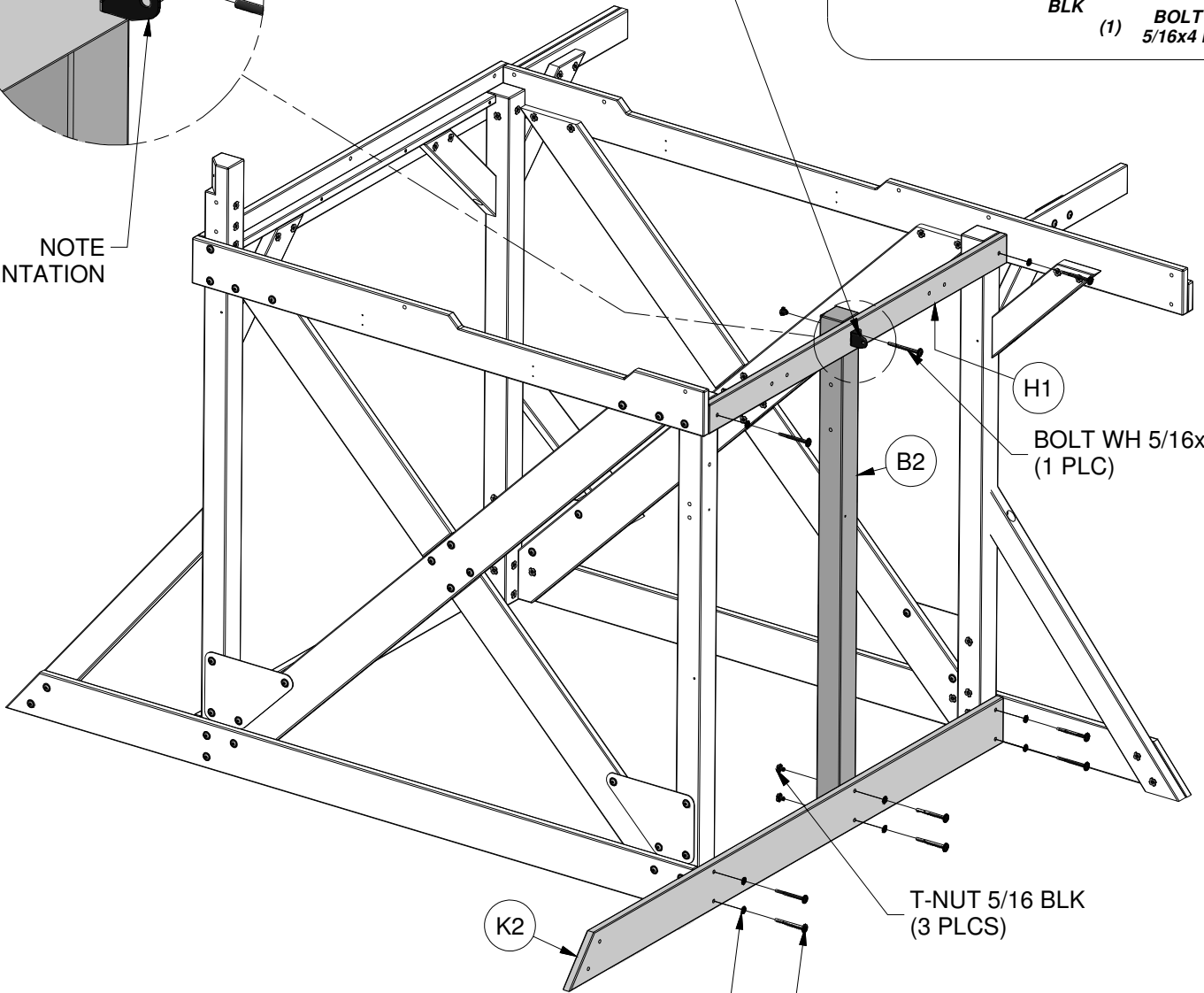
## STEP 12

**IT IS RECOMMENDED THAT YOU PLACE ALL T-NUTS BEFORE YOU BEGIN ASSEMBLY OF PARTS**



NOTE  
ORIENTATION

L BRACKET 2.5x38x50x55 BLK  
(1 PLC)



WASHER LOCK EXT 8x19 BLK  
(8 PLCS)

BOLT WH 5/16x3-3/4 BLK  
(8 PLCS)

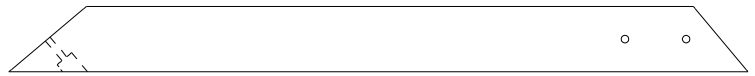
T-NUT 5/16 BLK  
(3 PLCS)

BOLT WH 5/16x4 BLK  
(1 PLC)





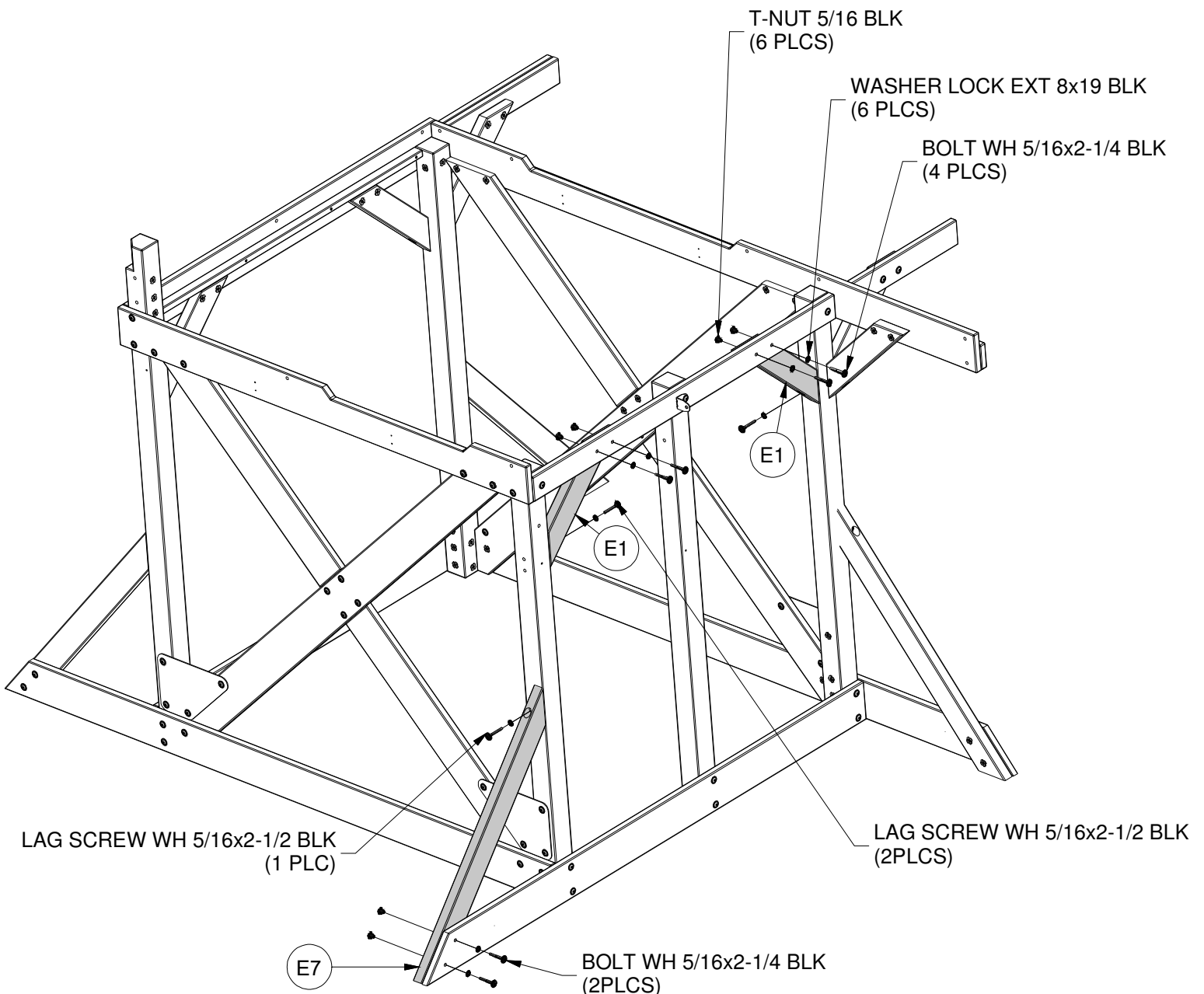
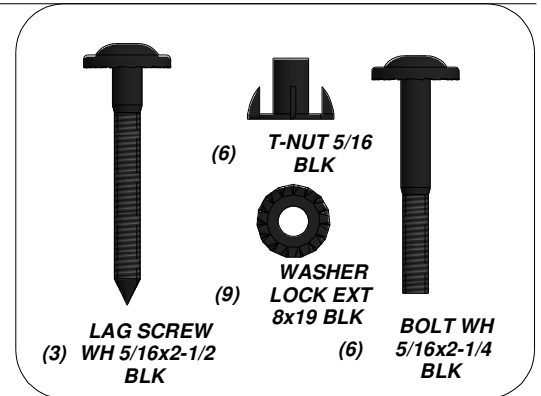
(2) **E1 - ANGLE SUPPORT - W4L08458**  
1 3/8"x3 3/8"x18 3/4" (36x86x475)



(1) **E7 - ANGLE BRACE - W4L08494**  
1 3/8"x3 3/8"x38 1/2" (36x86x978)

### STEP 13

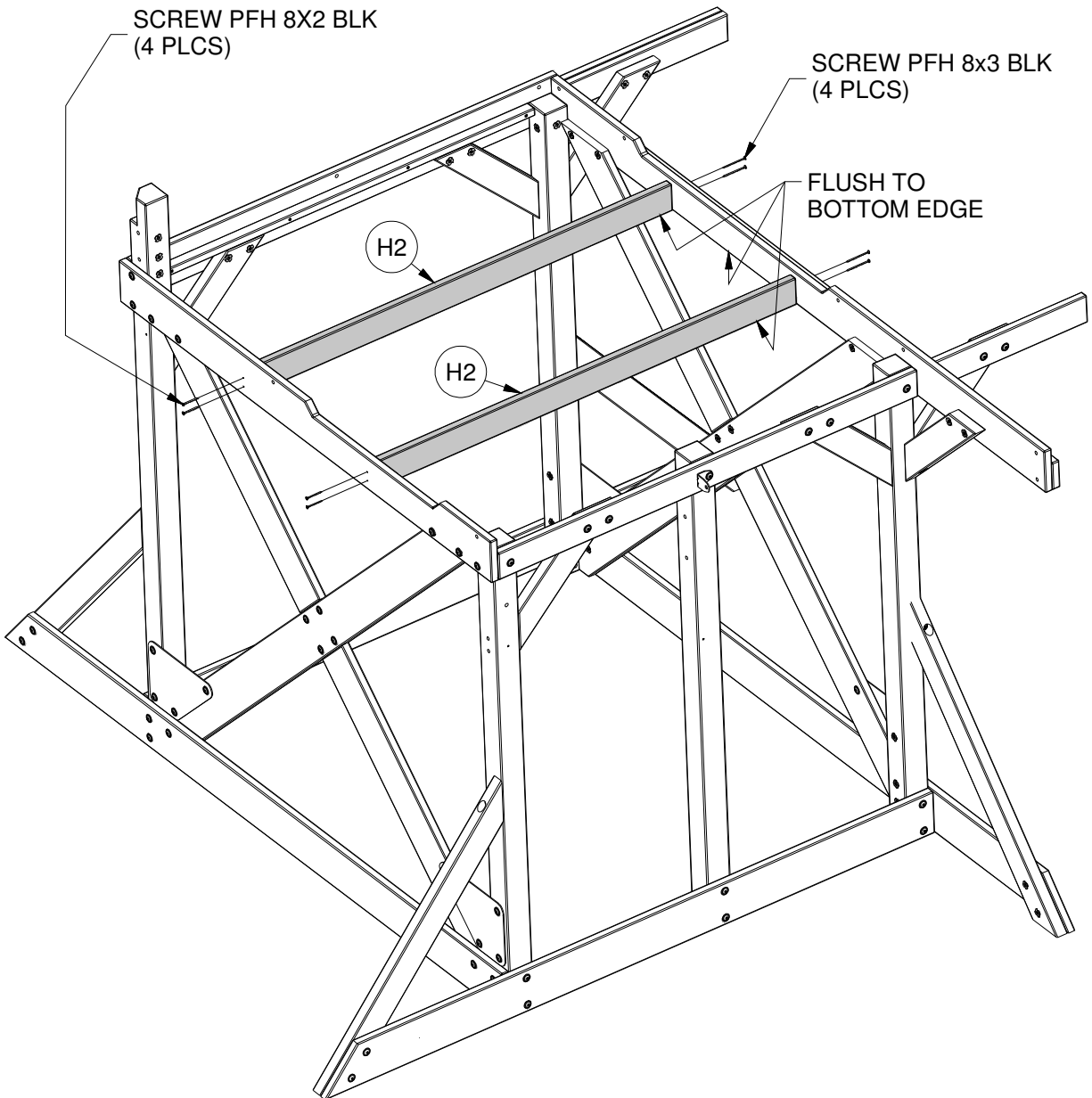
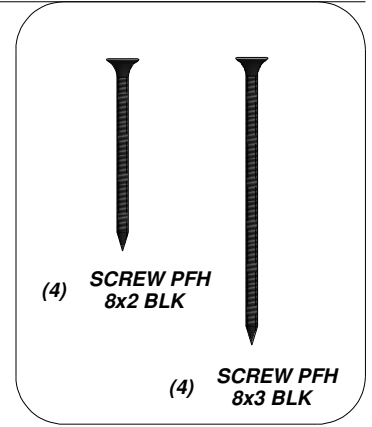
**IT IS RECOMMENDED THAT YOU PLACE ALL T-NUTS BEFORE YOU BEGIN ASSEMBLY OF PARTS**

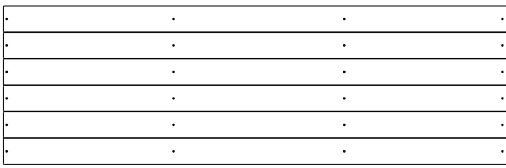




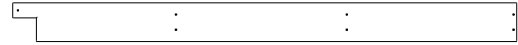
(2) **H2 - FLOOR SUPPORT - W4L08468**  
1"x3 3/8"x54 3/8" (24x86x1382)

**STEP 14**



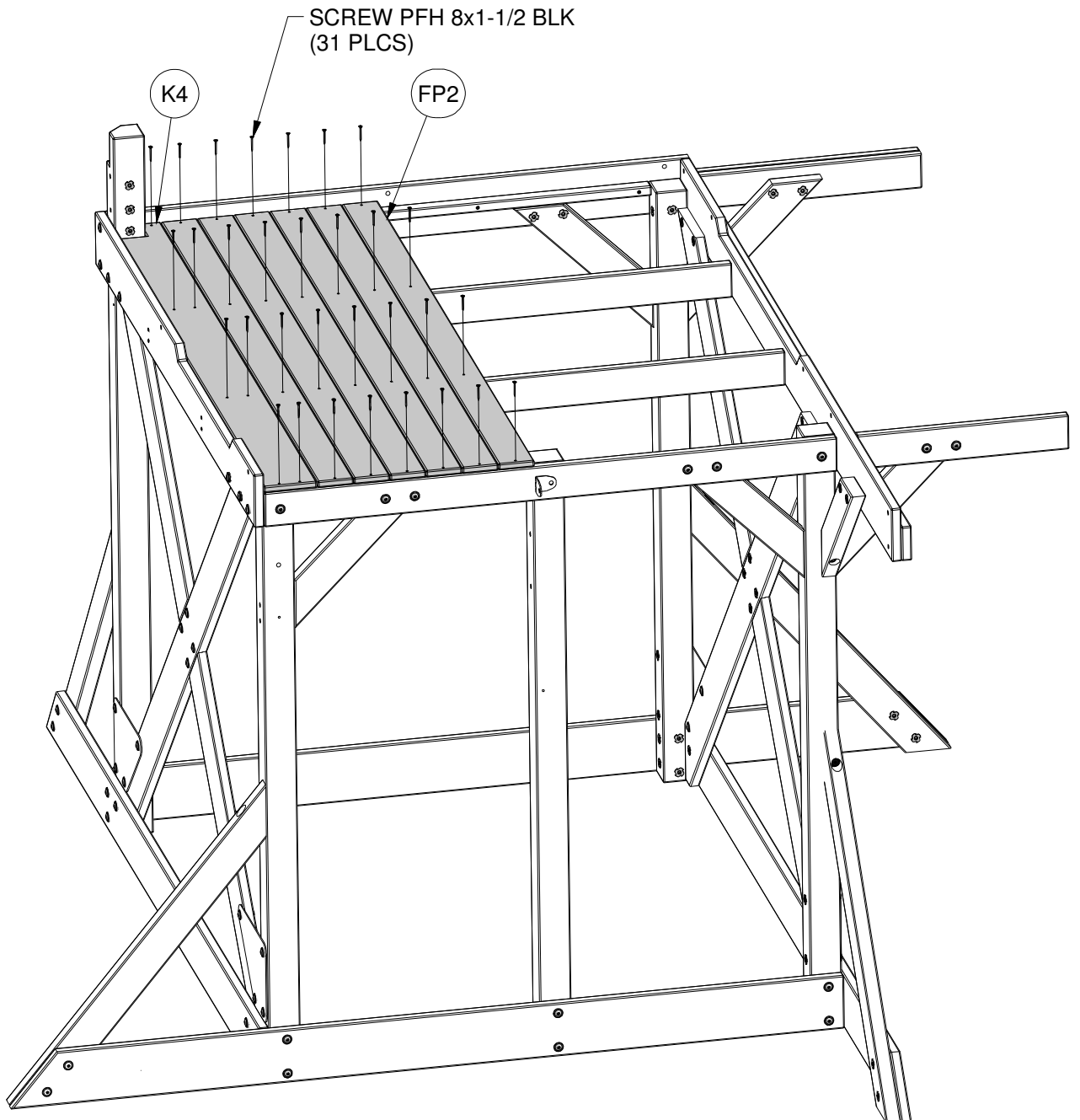


**FP2 - FLOOR PANEL - W2A02224**  
(1) 1 1/4"x20 9/16"x65 11/16" (32x523x1668)



(1) **K4 - FLOOR BOARD - W4L08471**  
5/8"x5"x65 5/8" (16x128x1668)

**STEP 15**



FRONT

(1) **G5 - WALL SUPPORT - W4L08464**  
1"x5 1/4"x26 3/4" (24x134x681)

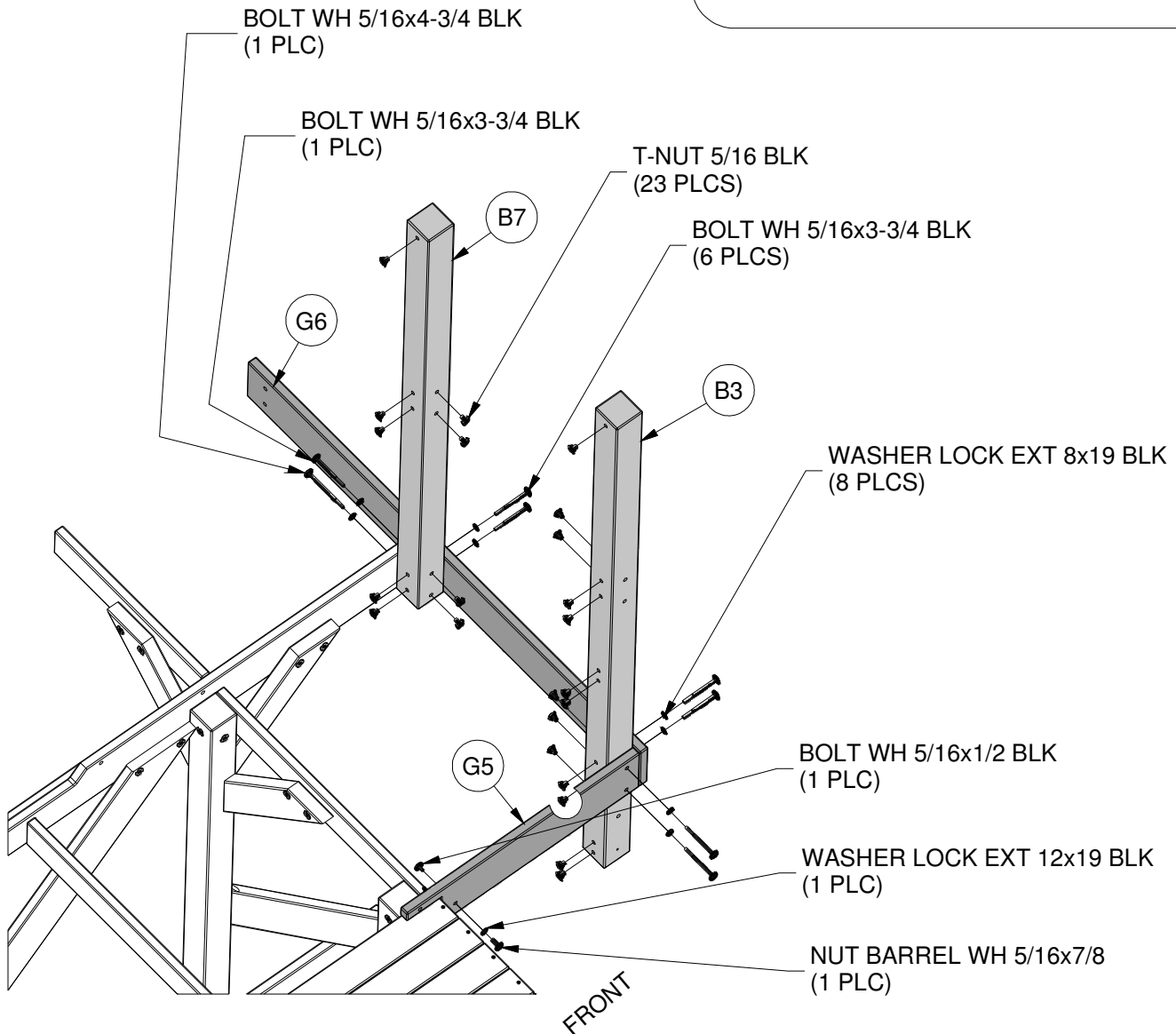
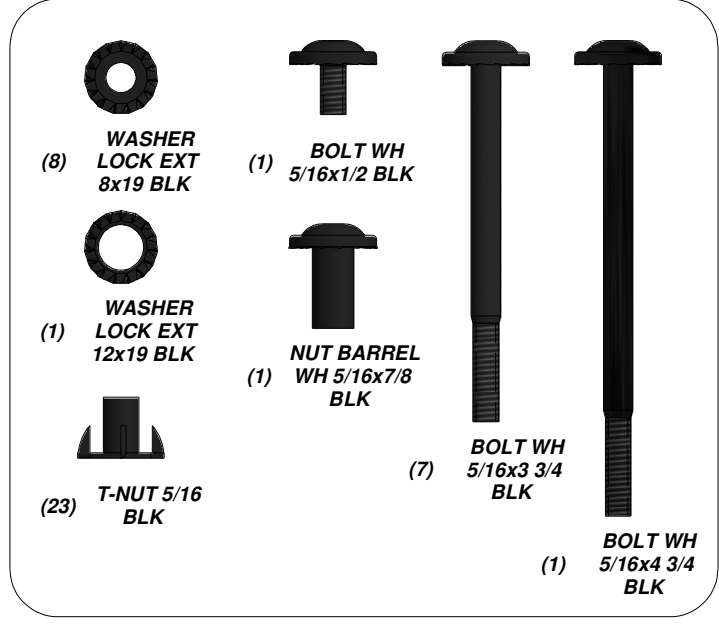
(1) **B7 - POST - W4L08472**  
3"x3"x58" (76x76x1472)

(1) **G6 - WALL SUPPORT - W4L08465**  
1"x5 1/4"x53 5/8" (24x134x1362)

(1) **B3 - POST - W4L08473**  
3"x3"x69 1/8" (76x76x1757)

### STEP 16

**IT IS RECOMMENDED THAT YOU PLACE ALL T-NUTS BEFORE YOU BEGIN ASSEMBLY OF PARTS**



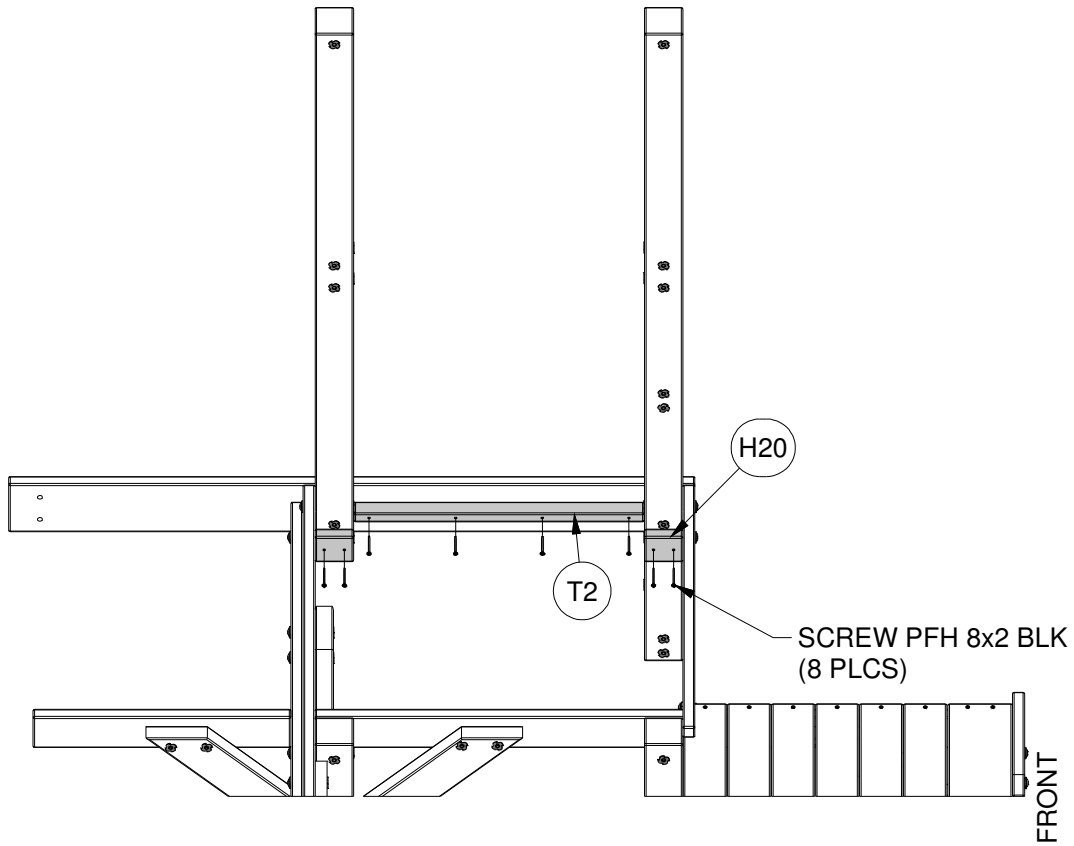
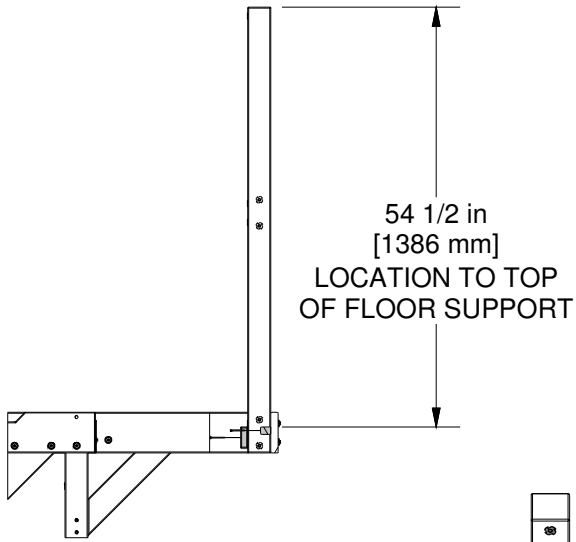
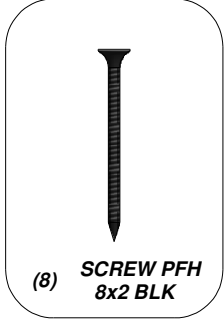
FRONT

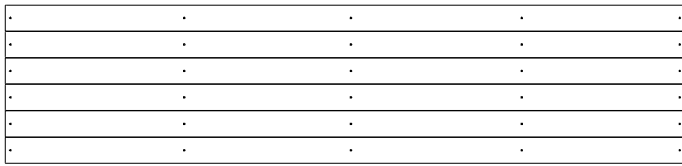


(2) **H20 - FLOOR SUPPORT - W4L08562**  
 1"x2 3/4"x3" (24x70x76)

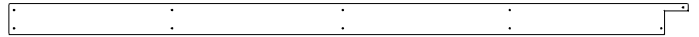
(1) **T2 - FLOOR SUPPORT - W4L08467**  
 1"x1 3/8"x22 5/8" (24x34x576)

**STEP 17**



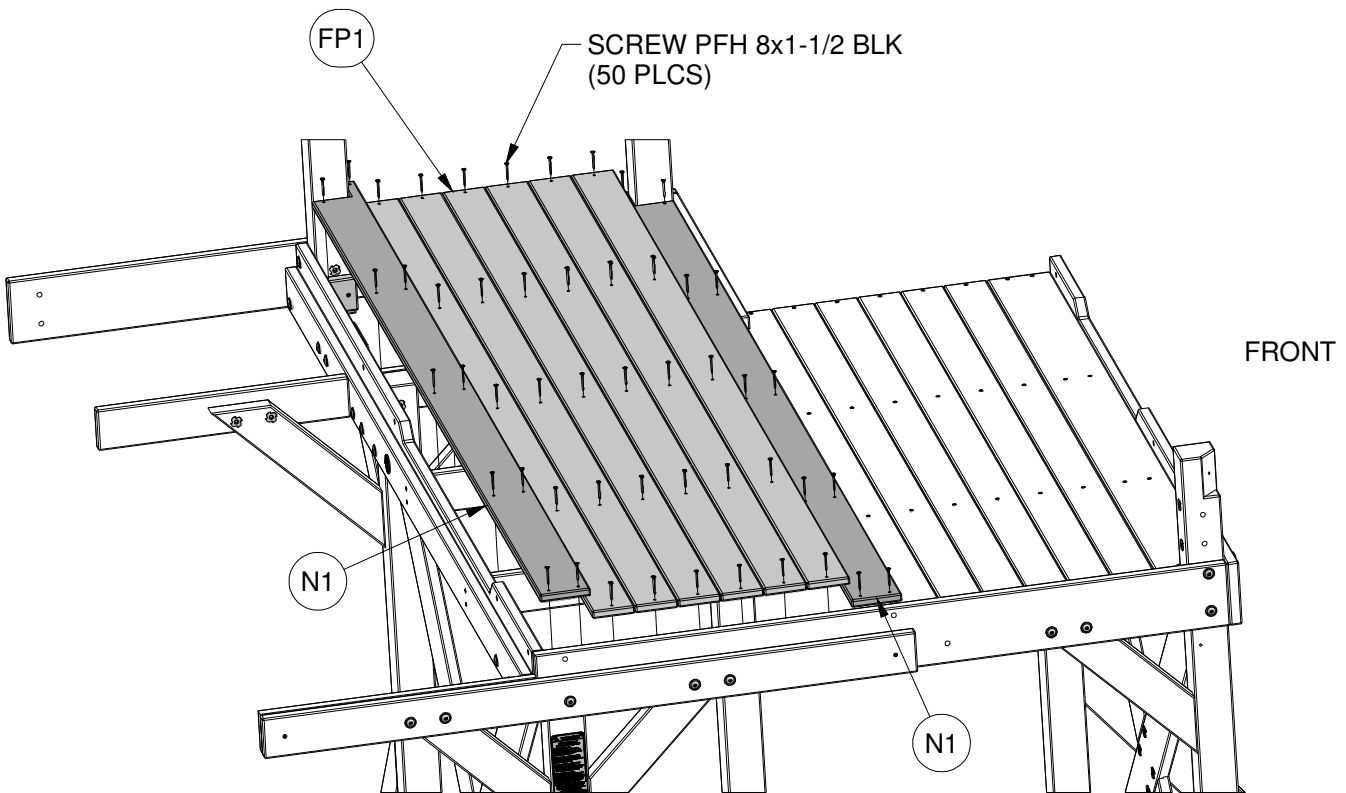
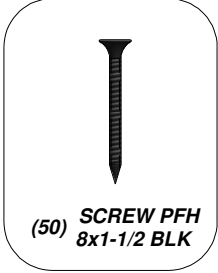


(1) **FP1 - FLOOR PANEL - W2A02223**  
1 1/4"x20 9/16"x88 9/16" (32x523x2249)



(2) **N1 - FLOOR BOARD - W4L08470**  
5/8"x4"x88 1/2" (16x102x2248)

**STEP 18**





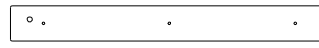
- (1) **H3 - FLOOR SUPPORT - W4L08469**  
1"x3 3/8"x26 3/4" (24x86x681)



- (1) **H22 - GUARD RAIL - W4L08565**  
1"x3 3/8"x26 3/4" (24x86x681)



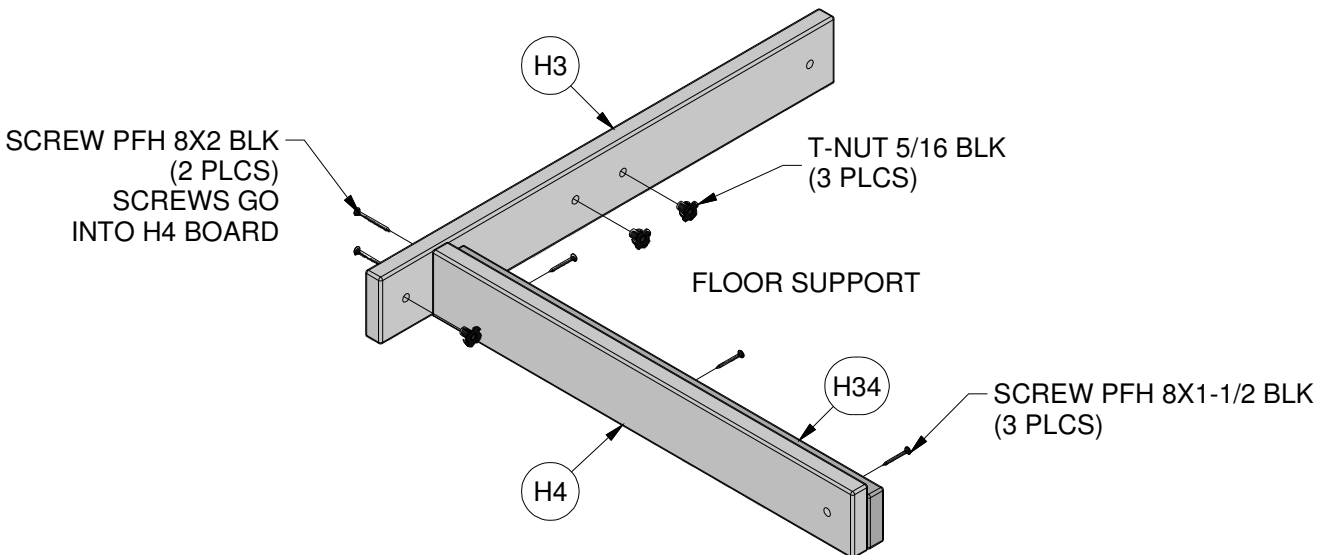
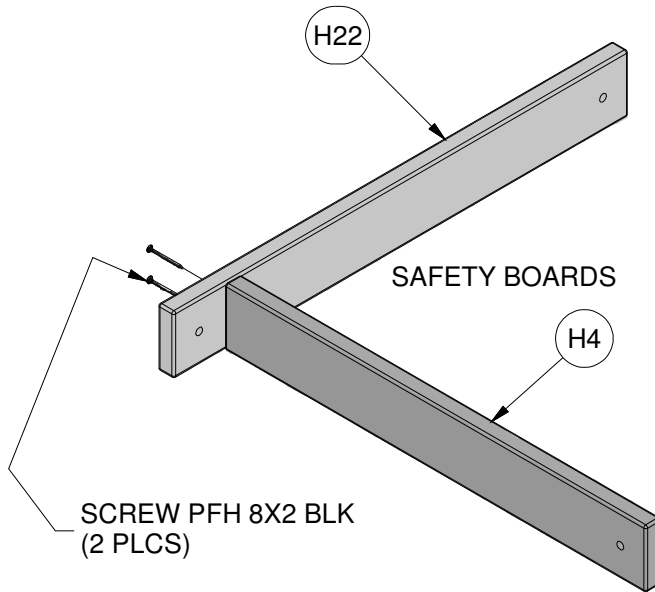
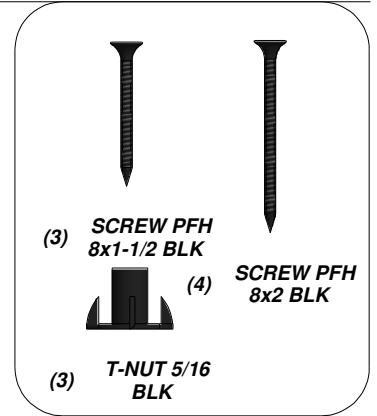
- (2) **H4 - FLOOR SUPPORT - W4L08474**  
1"x3 3/8"x24 7/8" (24x86x631)



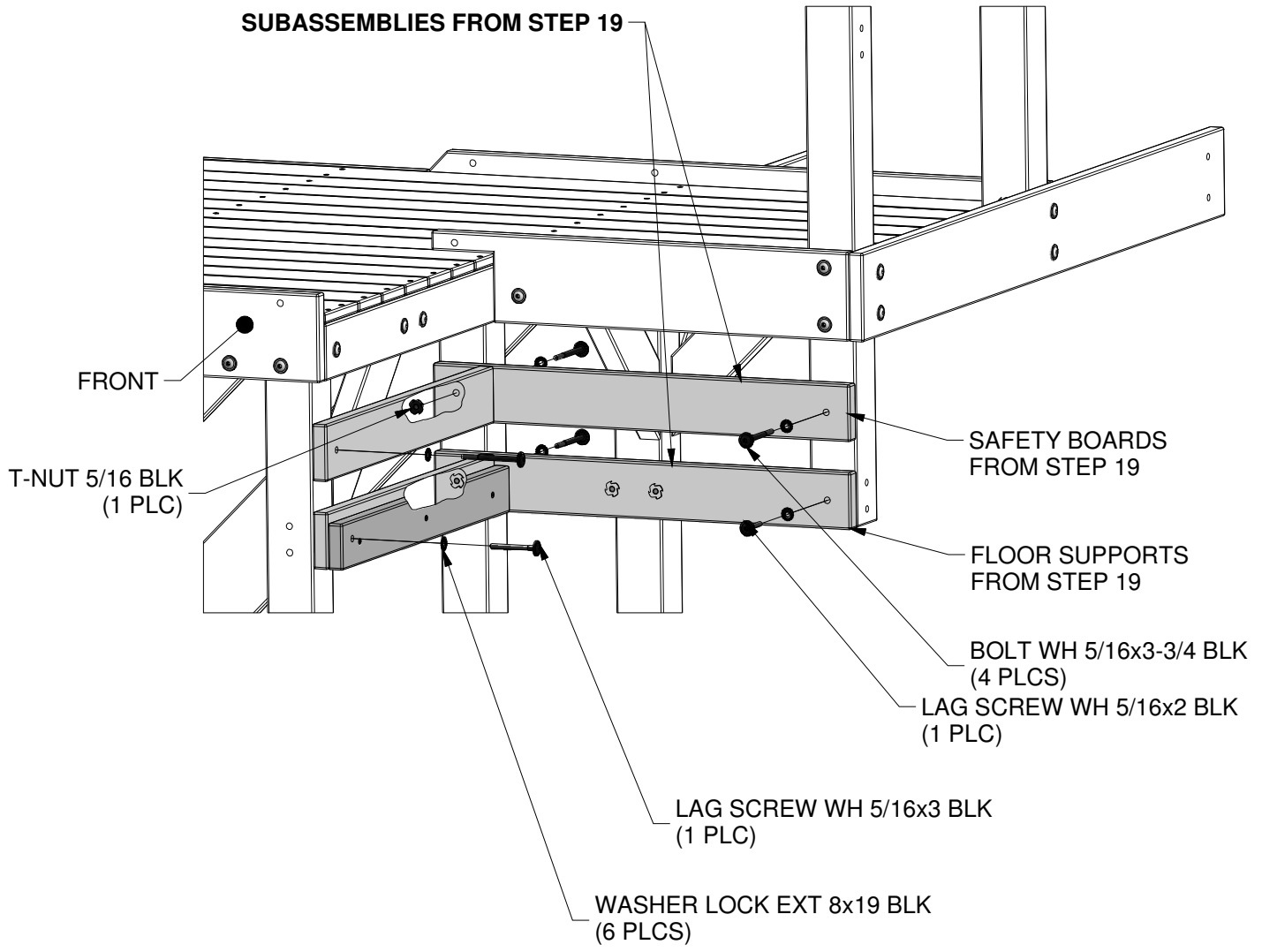
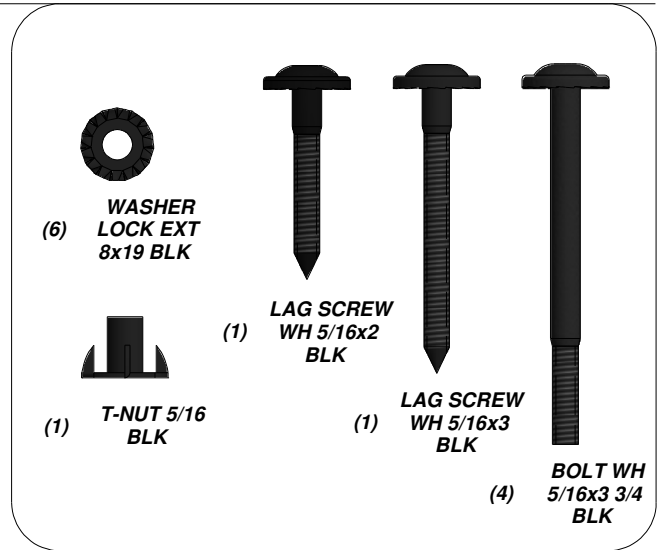
- (1) **H34 - FLOOR SUPPORT - W4L08743**  
1"x2 3/4"x24 7/8" (24x70x631)

**STEP 19**

**IT IS RECOMMENDED THAT YOU PLACE ALL T-NUTS BEFORE YOU BEGIN ASSEMBLY OF PARTS**



**STEP 20**

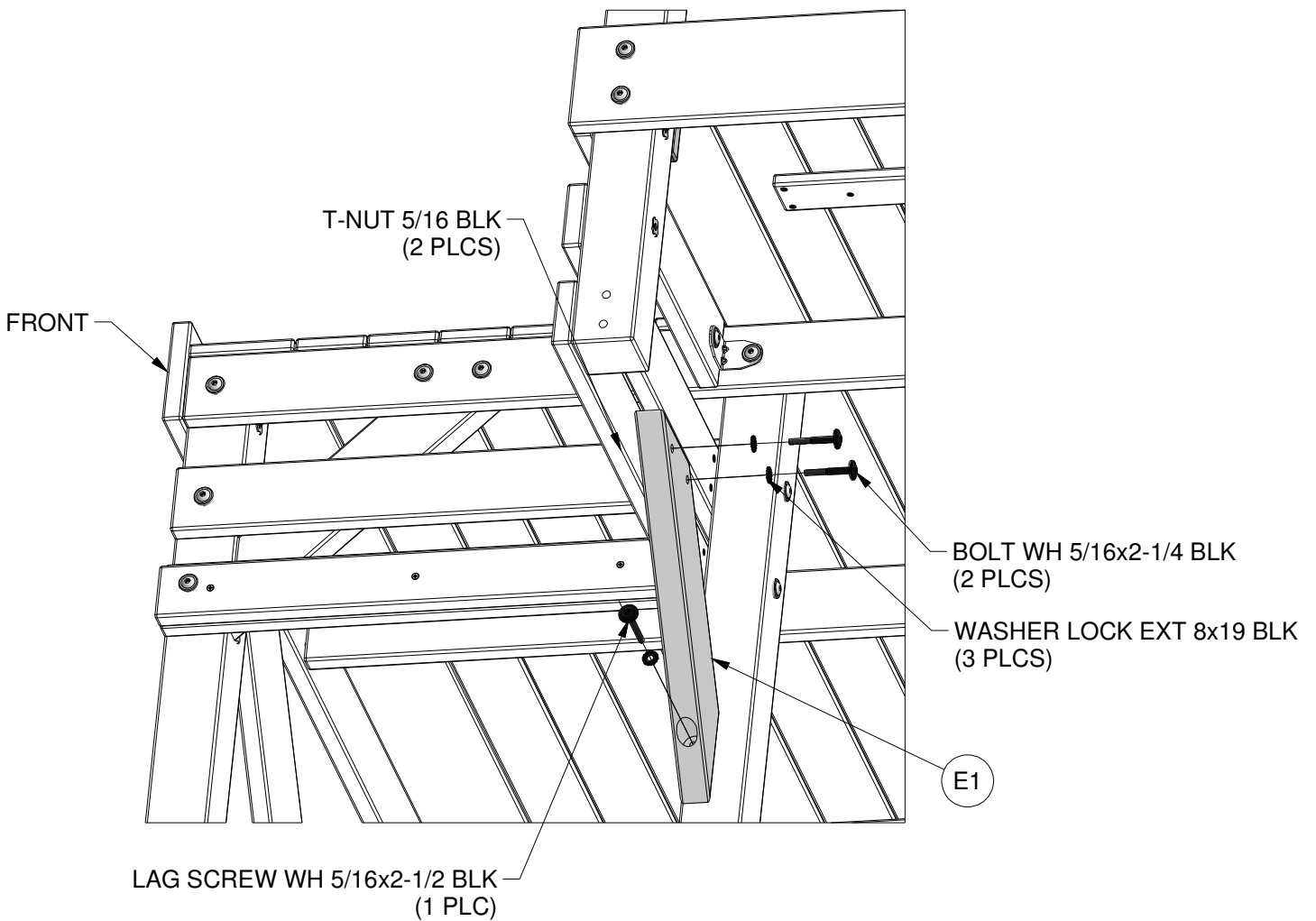
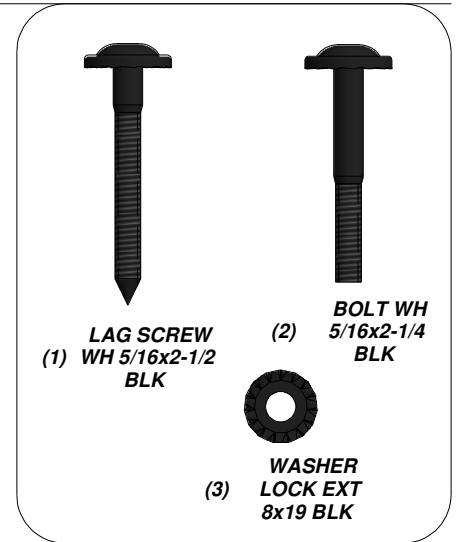






(1) **E1 - ANGLE SUPPORT - W4L08458**  
1 3/8"x3 3/8"x18 3/4" (36x86x475)

**STEP 21**



(1) **H30 - FLOOR SUPPORT - W4L08717**  
 1"x3 3/8"x26 5/8" (24x86x675)

(2) **H29 - GUARD RAIL - W4L08715**  
 1"x3 3/8"x9" (24x86x229)

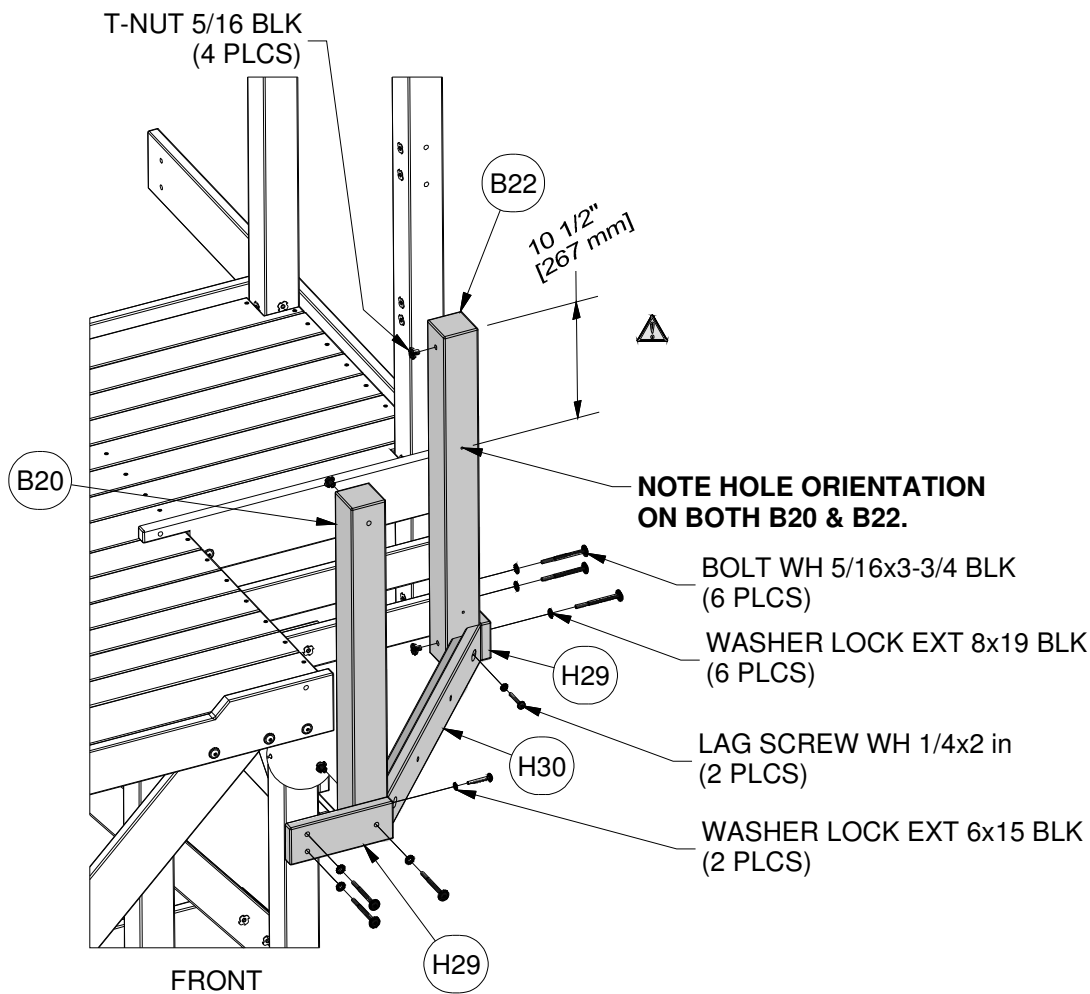
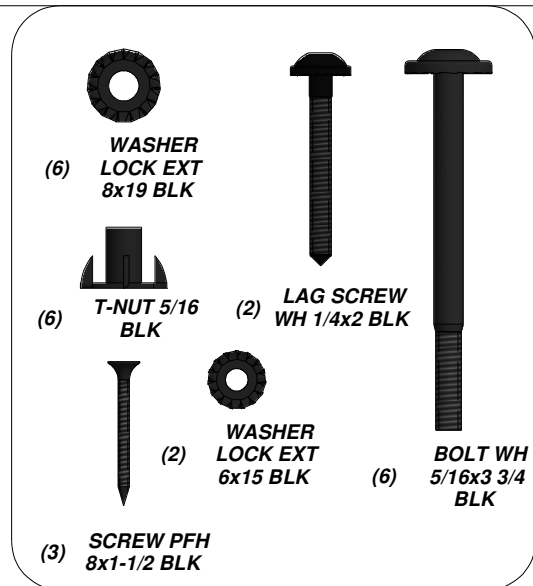
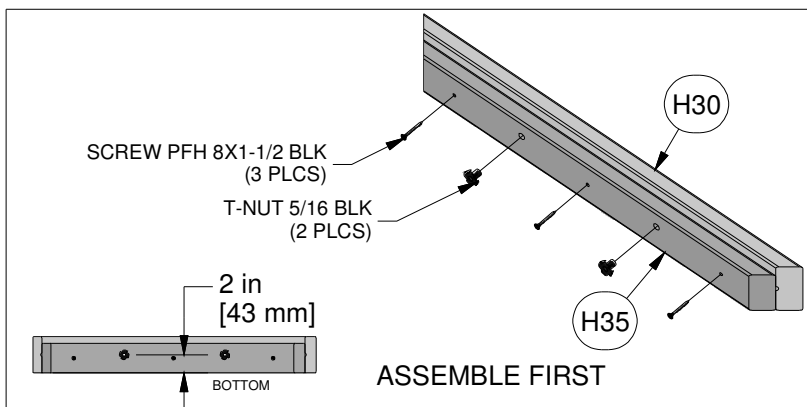
(1) **H35 - FLOOR SUPPORT - W4L08744**  
 1"x2 3/4"x24 5/8" (24x70x626.736)

(1) **B20 - POST - W4L08716**  
 3"x3"x30 3/8" (76x76x773)

(1) **B22 - POST - W4L08747**  
 3"x3"x30 3/8" (76x76x773)

**STEP 22**

**IT IS RECOMMENDED THAT YOU PLACE ALL T-NUTS BEFORE YOU BEGIN ASSEMBLY OF PARTS**



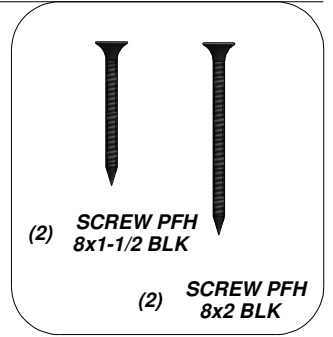


(1) **H20 - FLOOR SUPPORT - W4L08562**  
 1"x2 3/4"x3" (24x70x76)

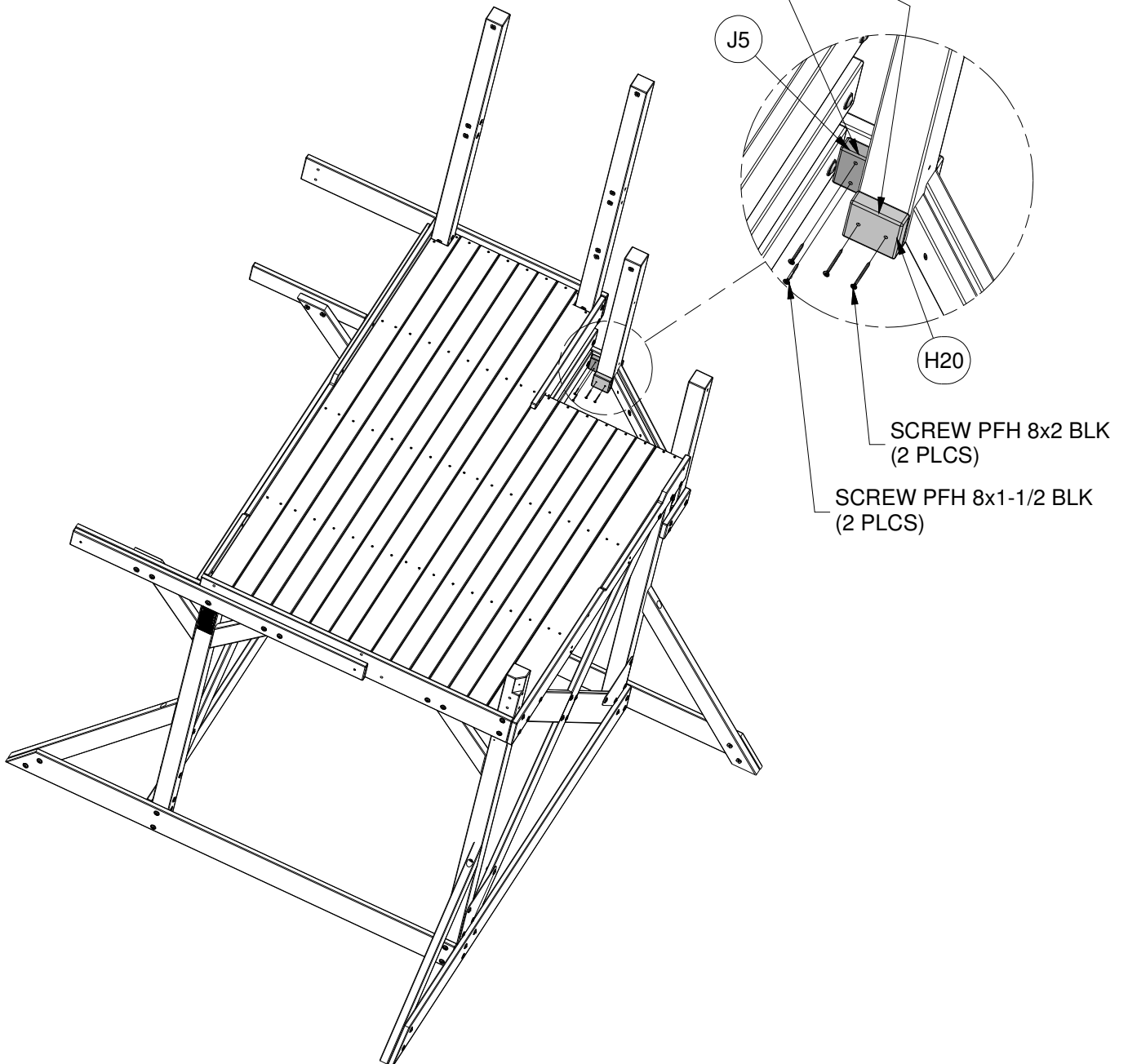


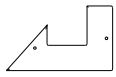
(1) **J5 - FLOOR SUPPORT - W4L08745**  
 1"x2"x2 3/4" (24x50x70)

**STEP 23**



**J5 & H20 ARE FLUSH TO BOTTOM EDGE.**





(1) **K7 - FLOOR BOARD - W4L08736**  
5/8"x5"x8 1/4" (16x128x211)



(1) **M33 - FLOOR BOARD - W4L08738**  
5/8"x3 3/8"x14 1/2" (16x86x368)



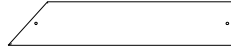
(1) **M35 - FLOOR BOARD - W4L08740**  
5/8"x3 3/8"x20 5/8" (16x86x525)



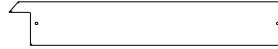
(1) **M37 - FLOOR BOARD - W4L08742**  
5/8"x2 1/2"x22 7/8" (16x64x580)



(1) **M32 - FLOOR BOARD - W4L08737**  
5/8"x3 3/8"x11 3/8" (16x86x289)

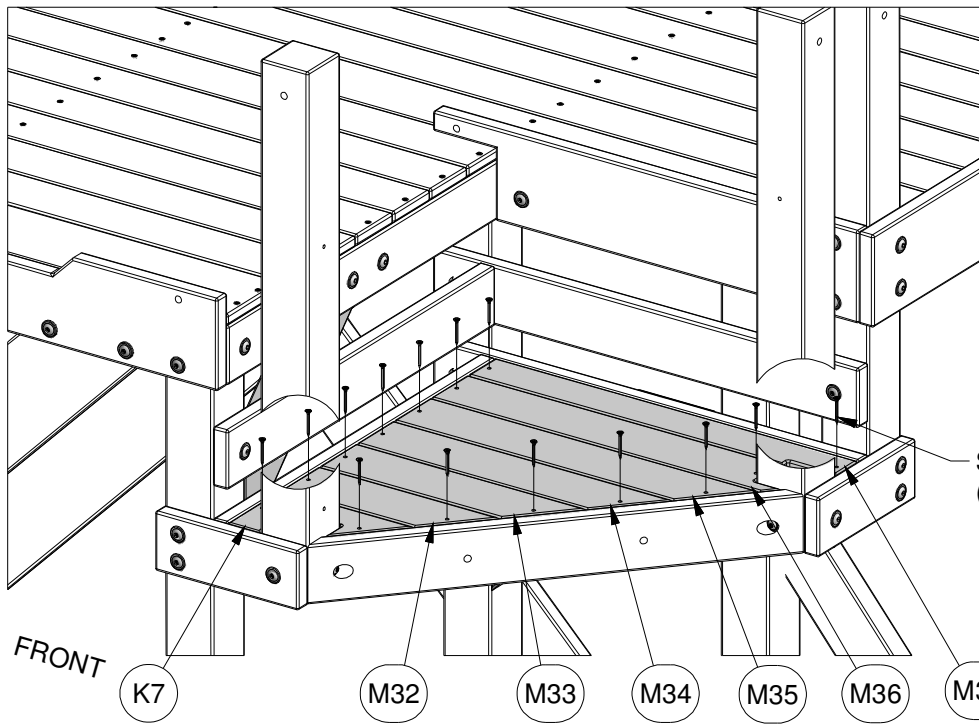


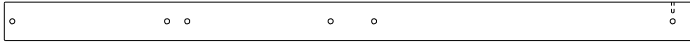
(1) **M34 - FLOOR BOARD - W4L08739**  
5/8"x3 3/8"x17 5/8" (16x86x447)



(1) **M36 - FLOOR BOARD - W4L08741**  
5/8"x3 3/8"x21 1/2" (16x86x546)

## STEP 24





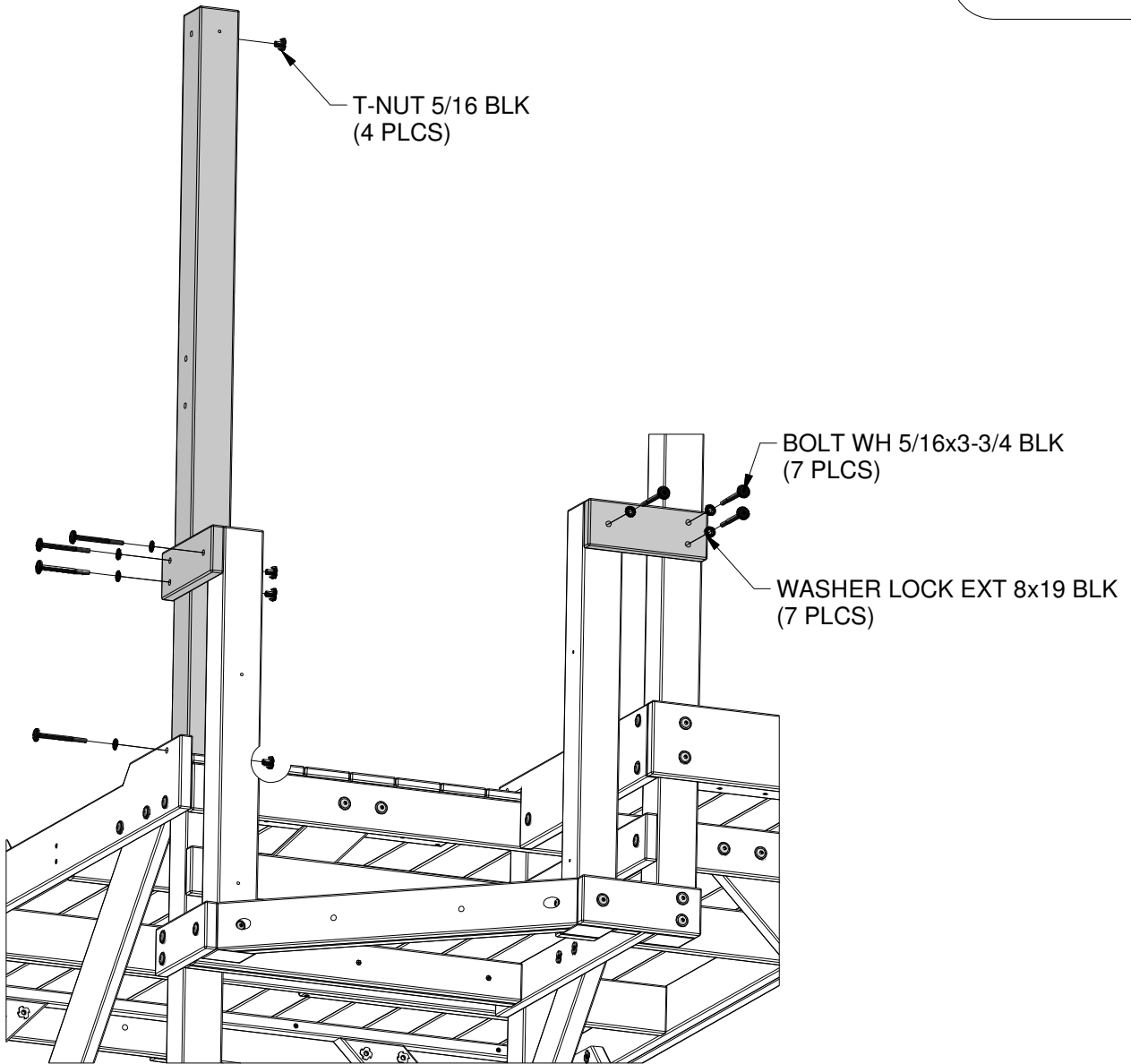
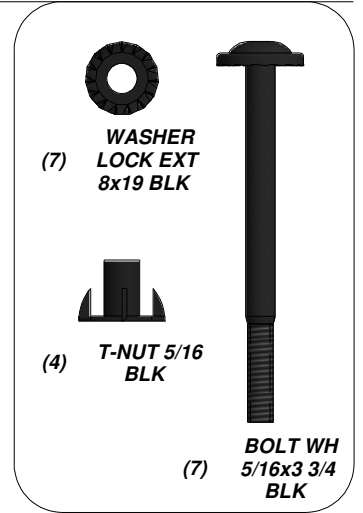
(1) **B15 - POST - W4L08552**  
3"x3"x53 7/8" (76x76x1370)



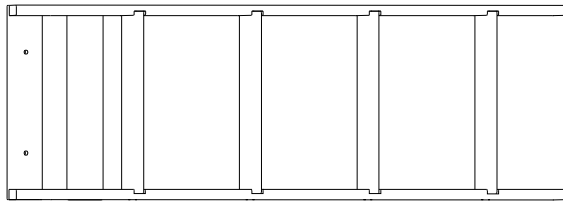
(2) **H29 - GUARD RAIL - W4L08715**  
1"x3 3/8"x9" (24x86x229)

### STEP 25

**IT IS RECOMMENDED THAT YOU PLACE ALL T-NUTS BEFORE YOU BEGIN ASSEMBLY OF PARTS**



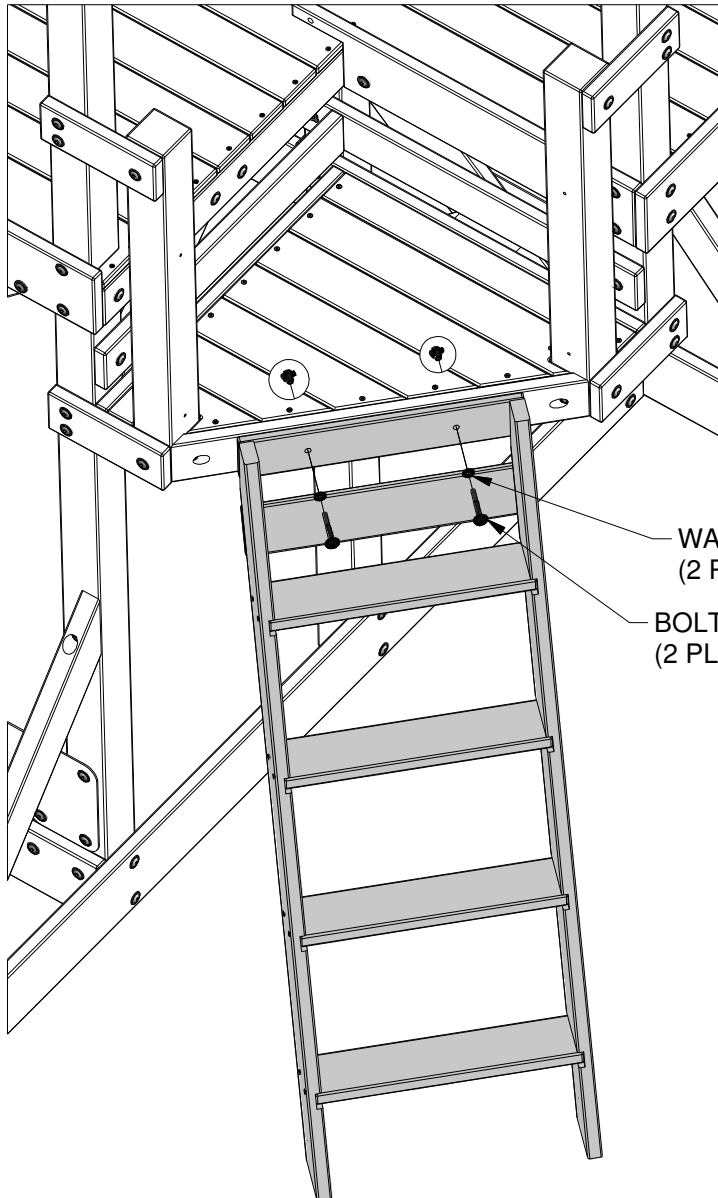
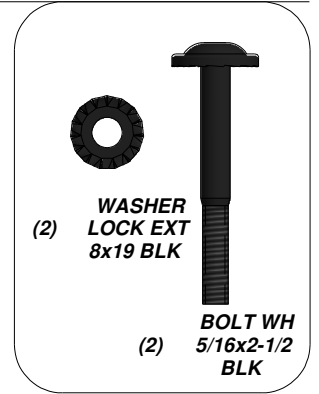
FRONT



(1) 4 FT. LADDER ASSEMBLY

**STEP 26**

**IT IS RECOMMENDED THAT YOU PLACE ALL T-NUTS BEFORE YOU BEGIN ASSEMBLY OF PARTS**

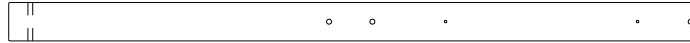


WASHER LOCK EXT 8x19 BLK  
(2 PLCS)

BOLT WH 5/16x2-1/2 BLK  
(2 PLCS)



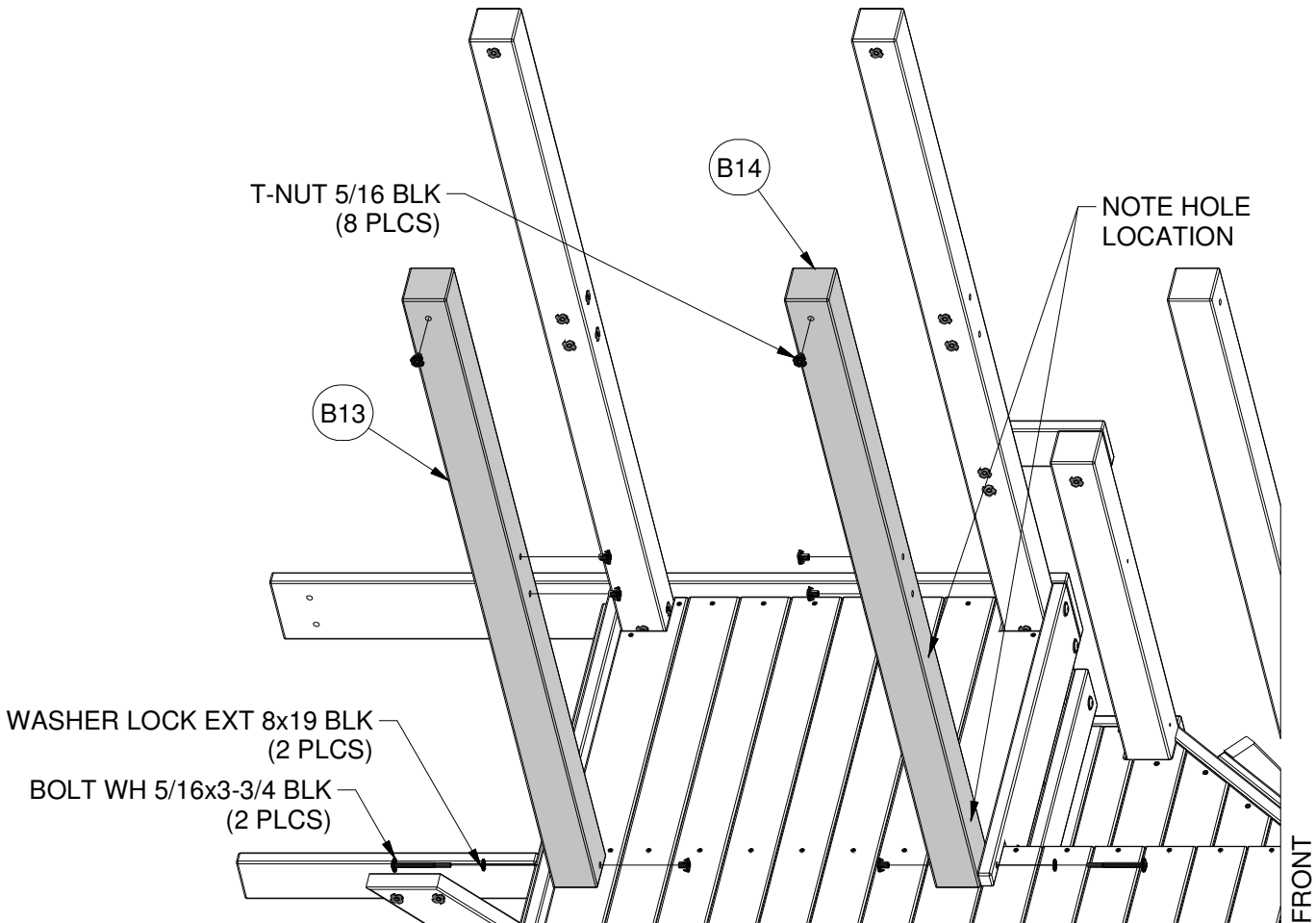
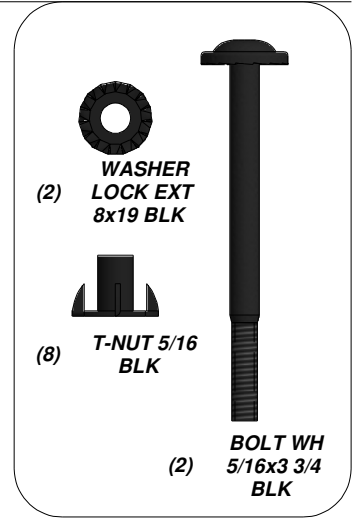
(1) **B13 - POST - W4L08523**  
3"x3"x53 7/8" (76x76x1370)



(1) **B14 - POST - W4L08524**  
3"x3"x53 7/8" (76x76x1370)

**STEP 27**

**IT IS RECOMMENDED THAT YOU PLACE ALL T-NUTS BEFORE YOU BEGIN ASSEMBLY OF PARTS**



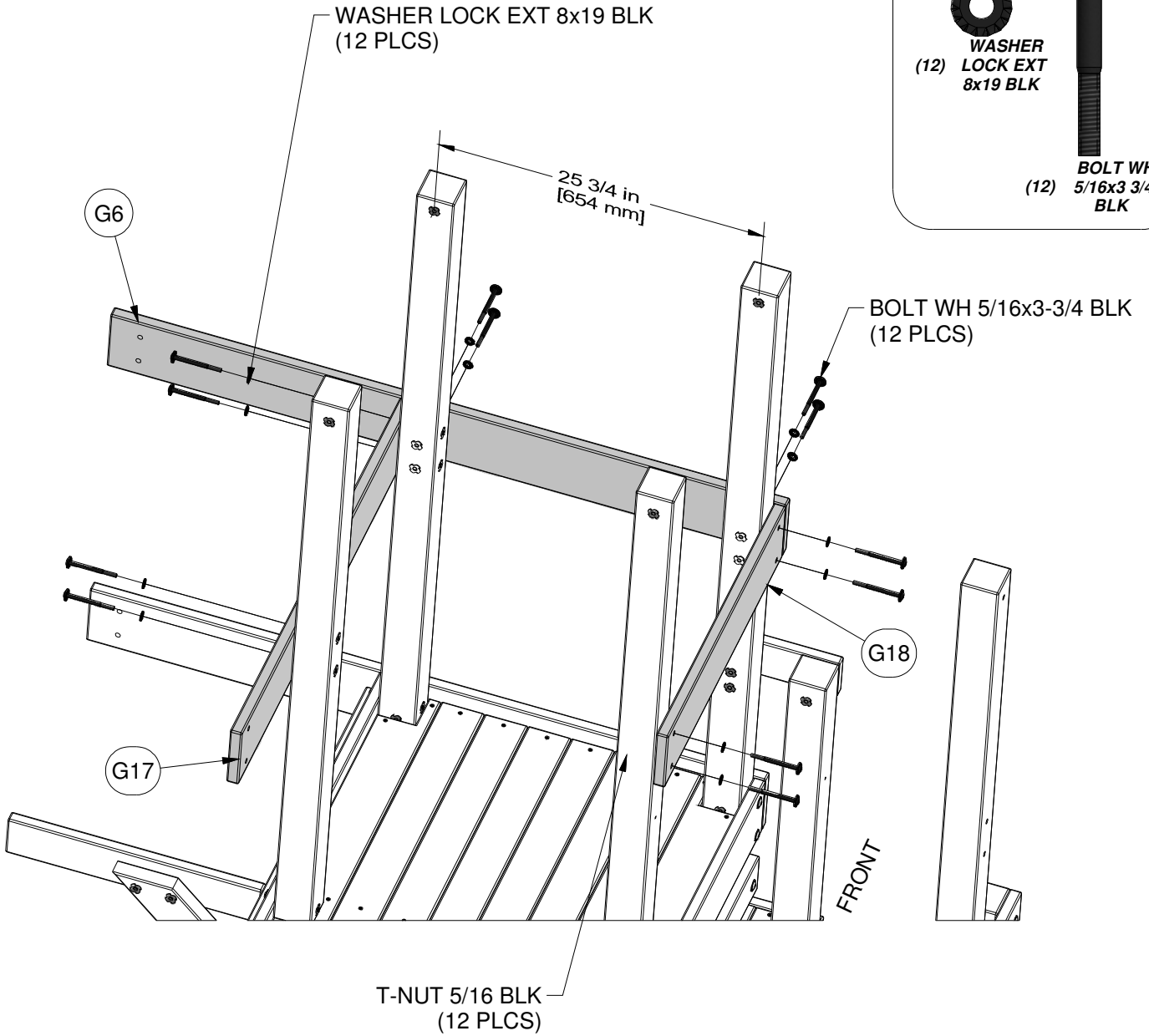


(1) **G18 - WALL SUPPORT - W4L08548**  
 1"x5 1/4"x26 3/4" (24x134x681)

(1) **G17 - ENTRY BOARD - W4L08547**  
 1"x5 1/4"x38 3/4" (24x134x983)

(1) **G6 - WALL SUPPORT - W4L08465**  
 1"x5 1/4"x53 5/8" (24x134x1362)

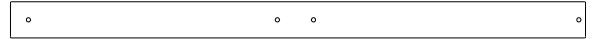
**STEP 28**







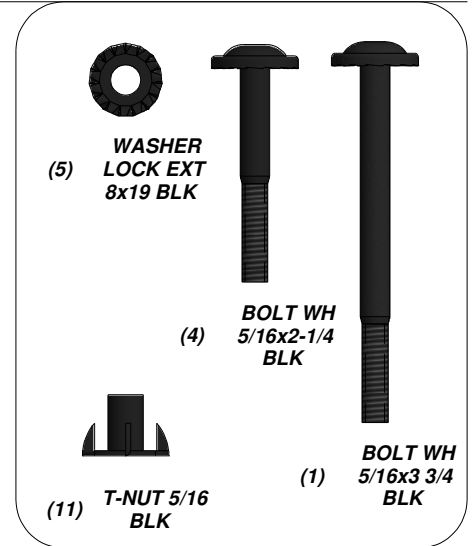
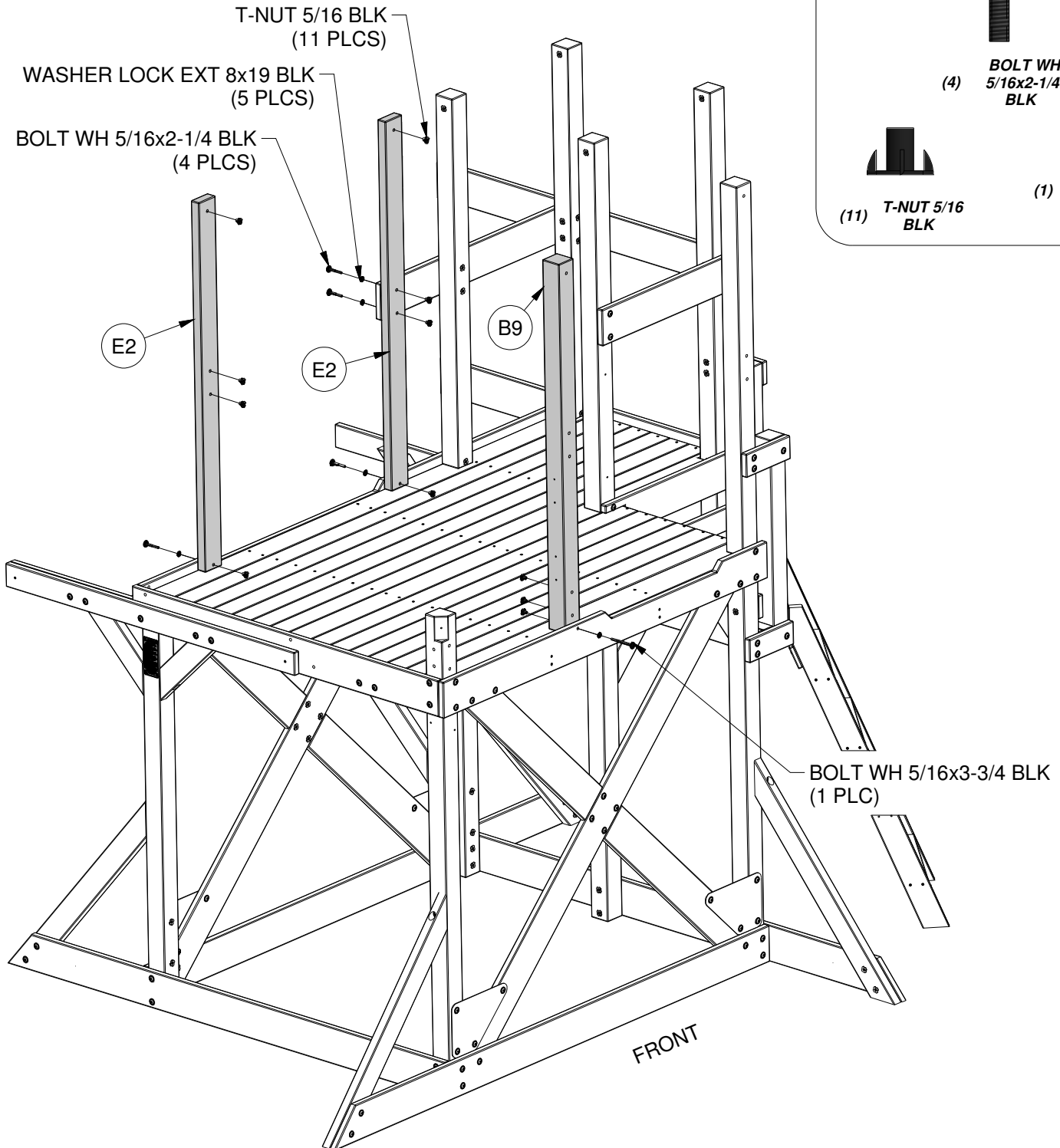
(1) **B9 - POST - W4L08476**  
3"x3"x53 7/8" (76x76x1370)

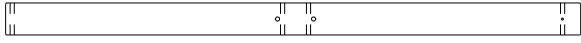


(2) **E2 - POST - W4L08522**  
3 3/8"x1 3/8"x53 7/8" (86x36x1370)

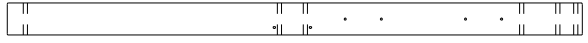
### STEP 29

**IT IS RECOMMENDED THAT YOU PLACE ALL T-NUTS BEFORE YOU BEGIN ASSEMBLY OF PARTS**





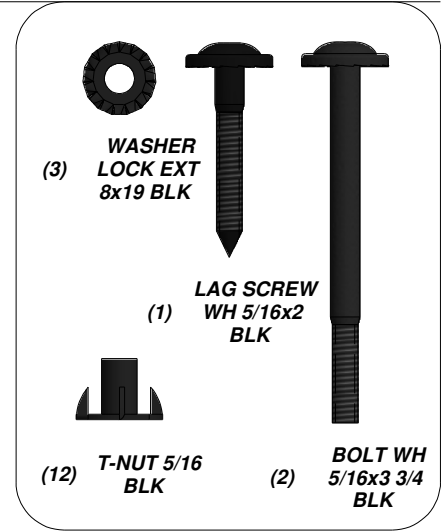
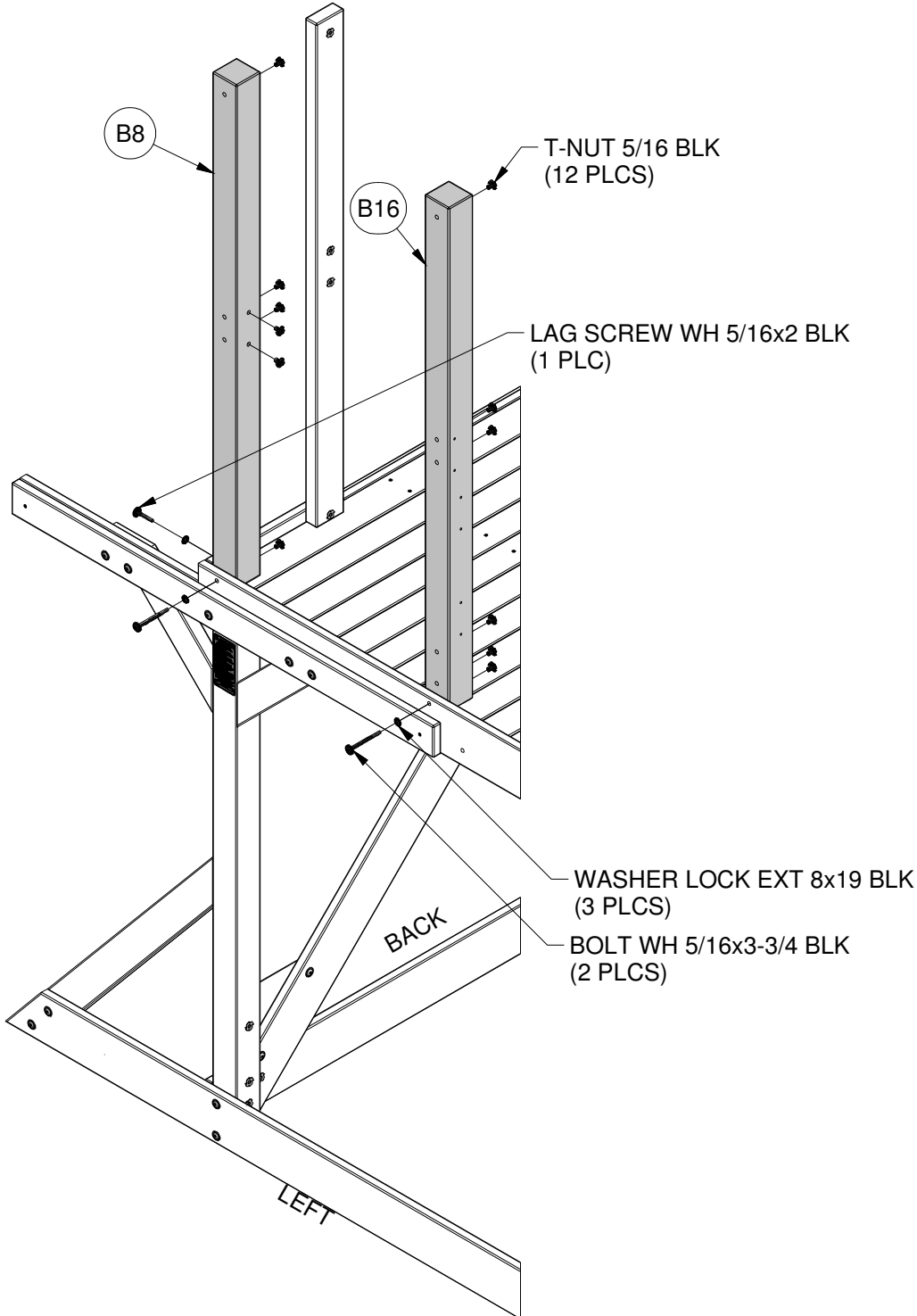
(1) **B8 - POST - W4L08475**  
3"x3"x53 7/8" (76x76x1370)



(1) **B16 - POST - W4L08553**  
3"x3"x53 7/8" (76x76x1370)

**STEP 30**

**IT IS RECOMMENDED THAT YOU PLACE ALL T-NUTS BEFORE YOU BEGIN ASSEMBLY OF PARTS**





(1) **G12 - WALL SUPPORT - W4L08490**  
1"x5 1/4"x29 1/8" (24x134x741)



(1) **G13 - WALL SUPPORT - W4L08491**  
1"x5 1/4"x28 1/4" (24x134x716)



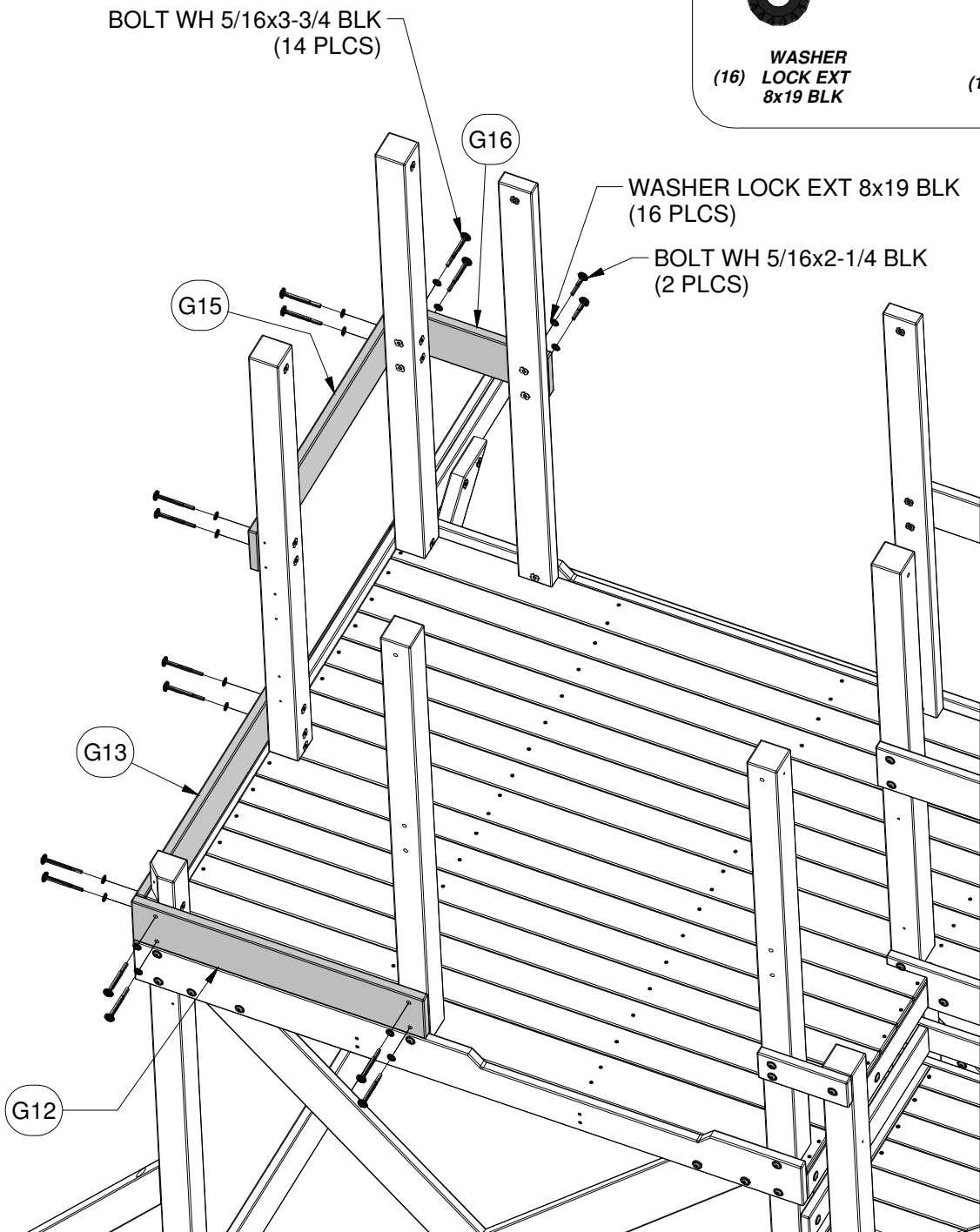
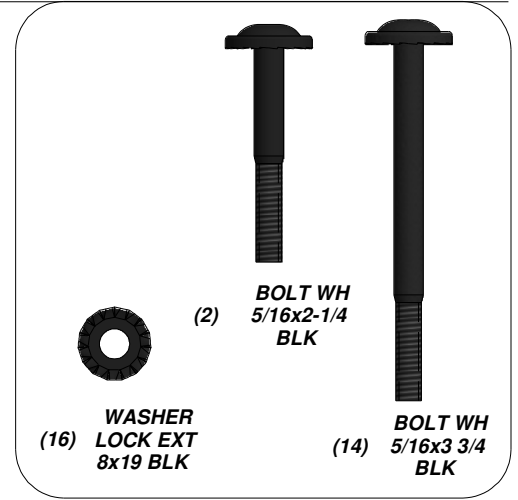
(1) **G15 - WALL SUPPORT - W4L08545**  
1"x5 1/4"x30 1/4" (24x134x768)



(1) **G16 - WALL SUPPORT - W4L08546**  
1"x5 1/4"x14 7/8" (24x134x378)

## STEP 31

**IT IS RECOMMENDED THAT YOU PLACE ALL T-NUTS BEFORE YOU BEGIN ASSEMBLY OF PARTS**



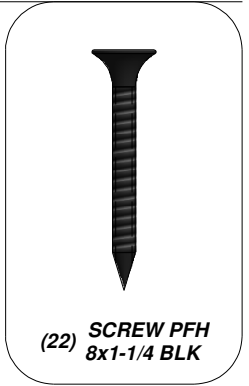


(4) **M23 - WALL PICKET - W4L08544**  
5/8"x3 3/8"x29 7/8" (16x86x759)

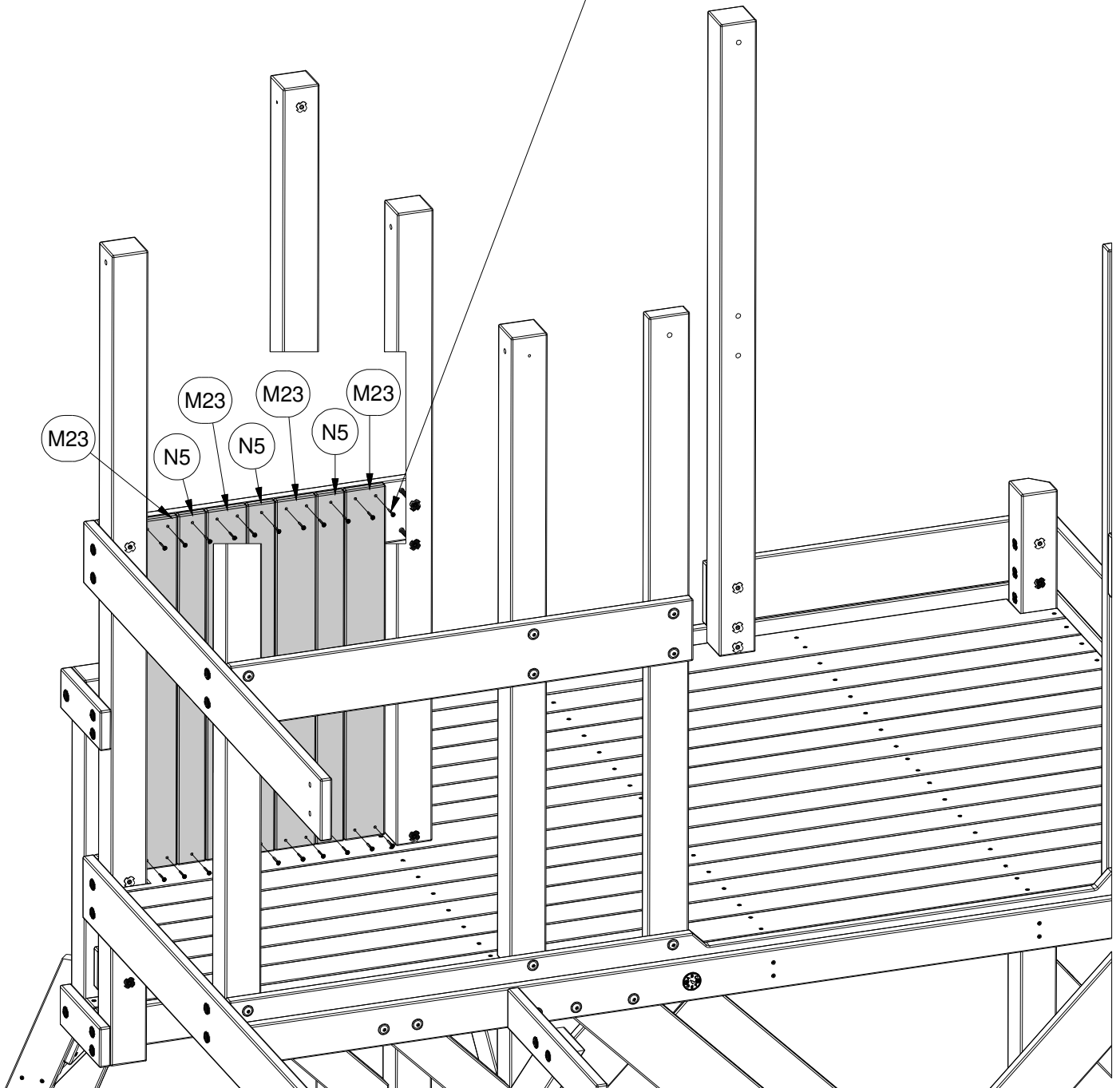


(3) **N5 - WALL PICKET - W4L08543**  
5/8"x2 3/8"x29 7/8" (16x60x759)

**STEP 32**



SCREW PFH 8X1-1/4 BLK  
(22 PLCS)



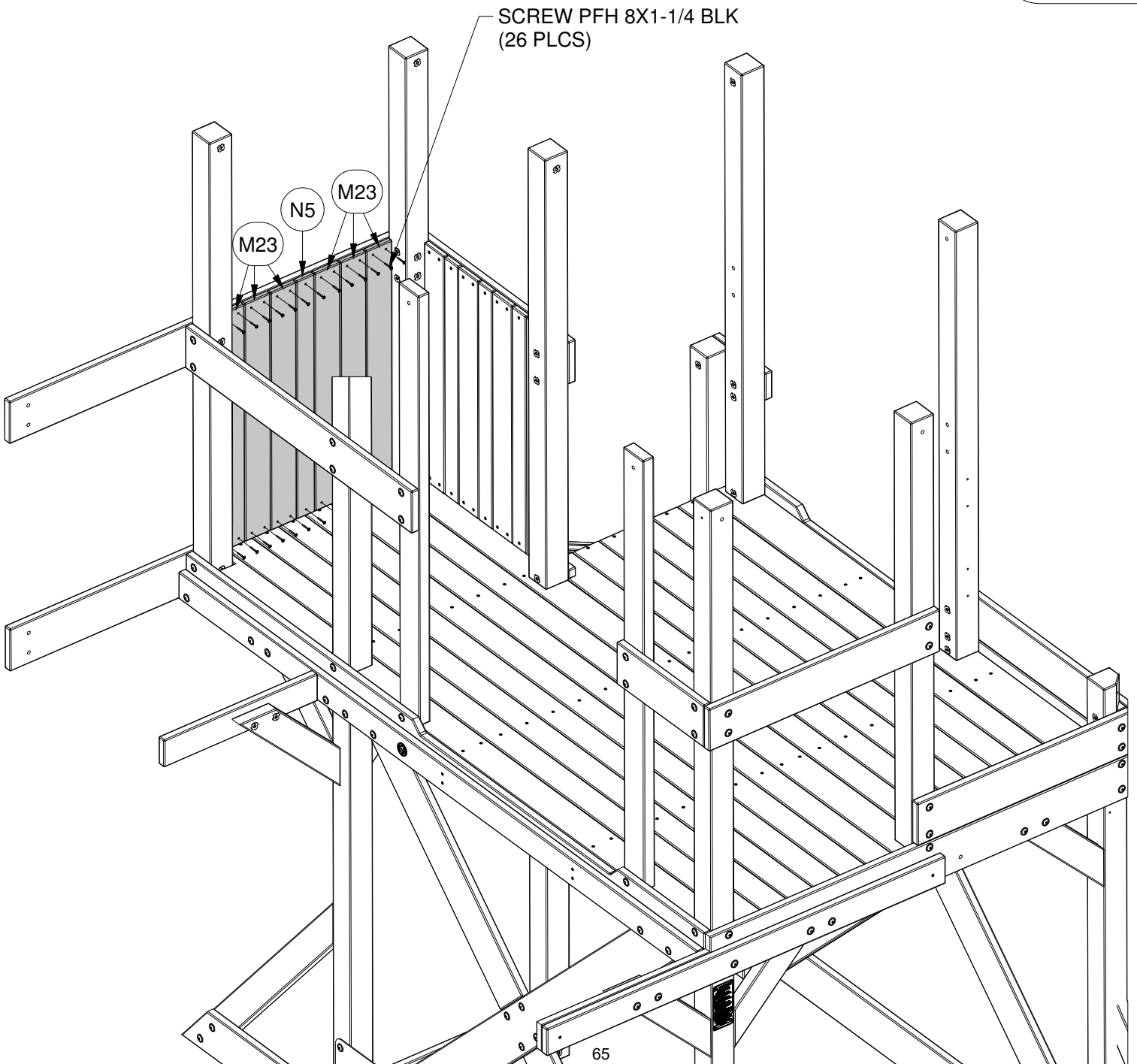
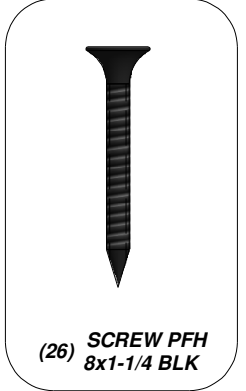


(6) **M23 - WALL PICKET - W4L08544**  
 5/8"x3 3/8"x29 7/8" (16x86x759)



(1) **N5 - WALL PICKET - W4L08543**  
 5/8"x2 3/8"x29 7/8" (16x60x759)

**STEP 33**



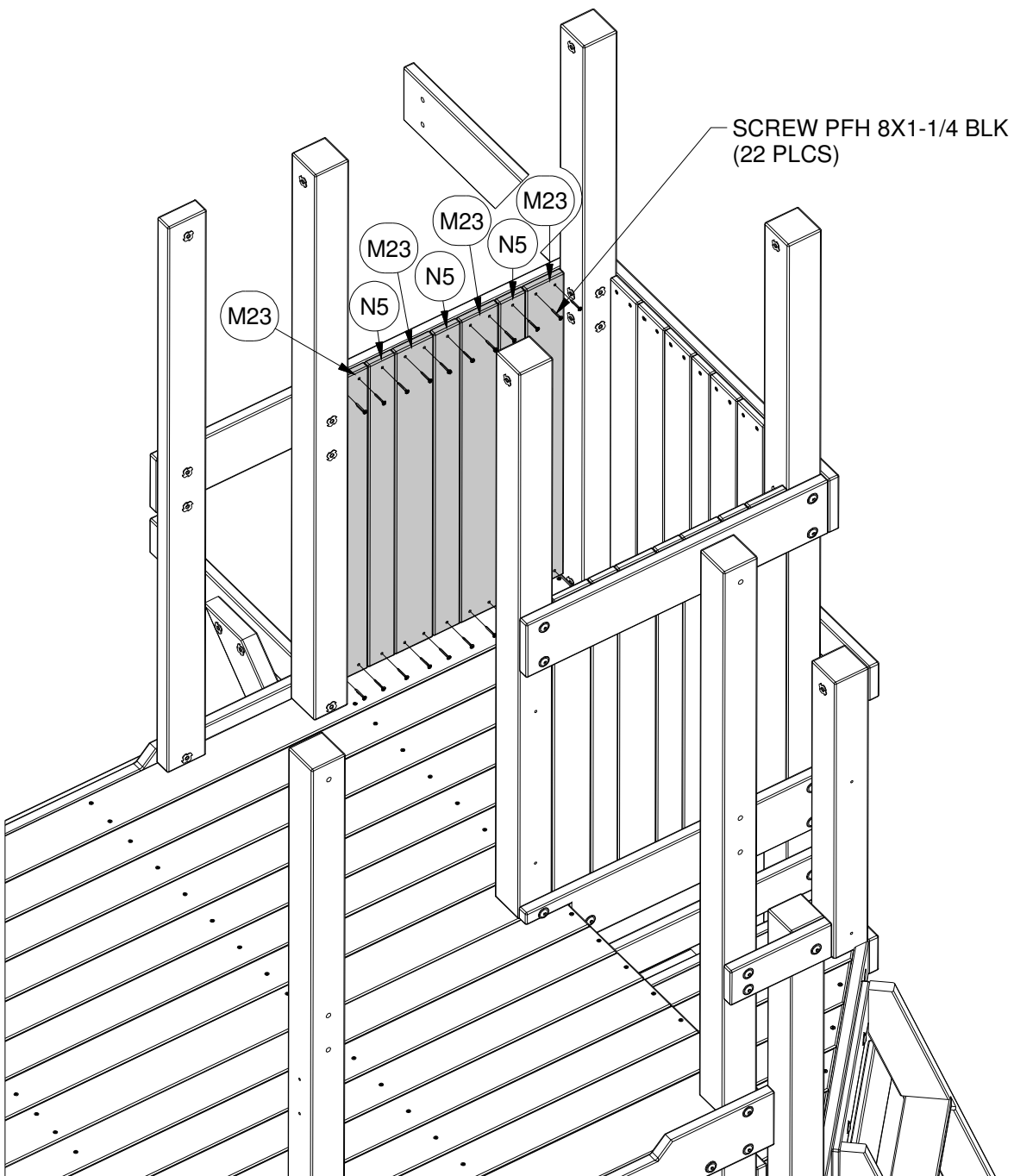
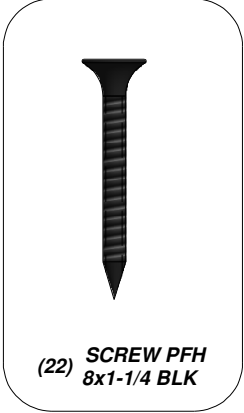


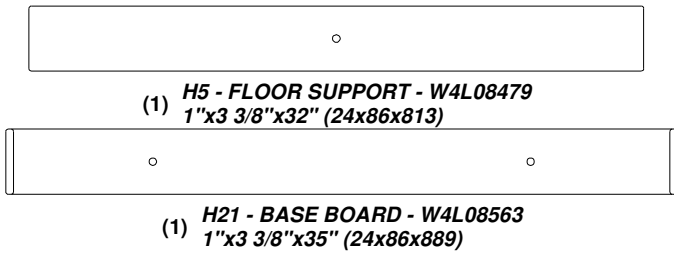
(4) **M23 - WALL PICKET - W4L08544**  
5/8"x3 3/8"x29 7/8" (16x86x759)



(3) **N5 - WALL PICKET - W4L08543**  
5/8"x2 3/8"x29 7/8" (16x60x759)

### STEP 34



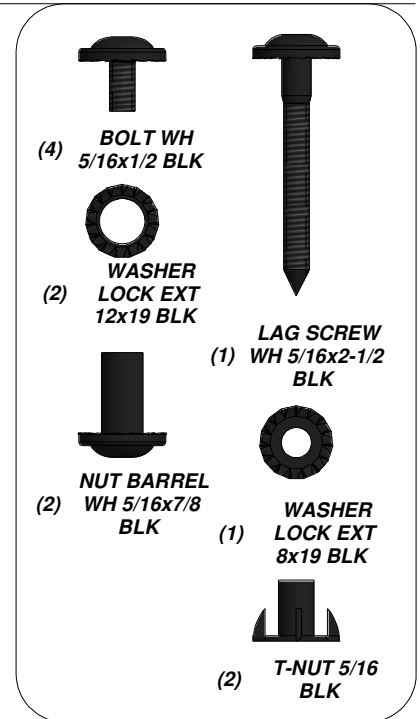
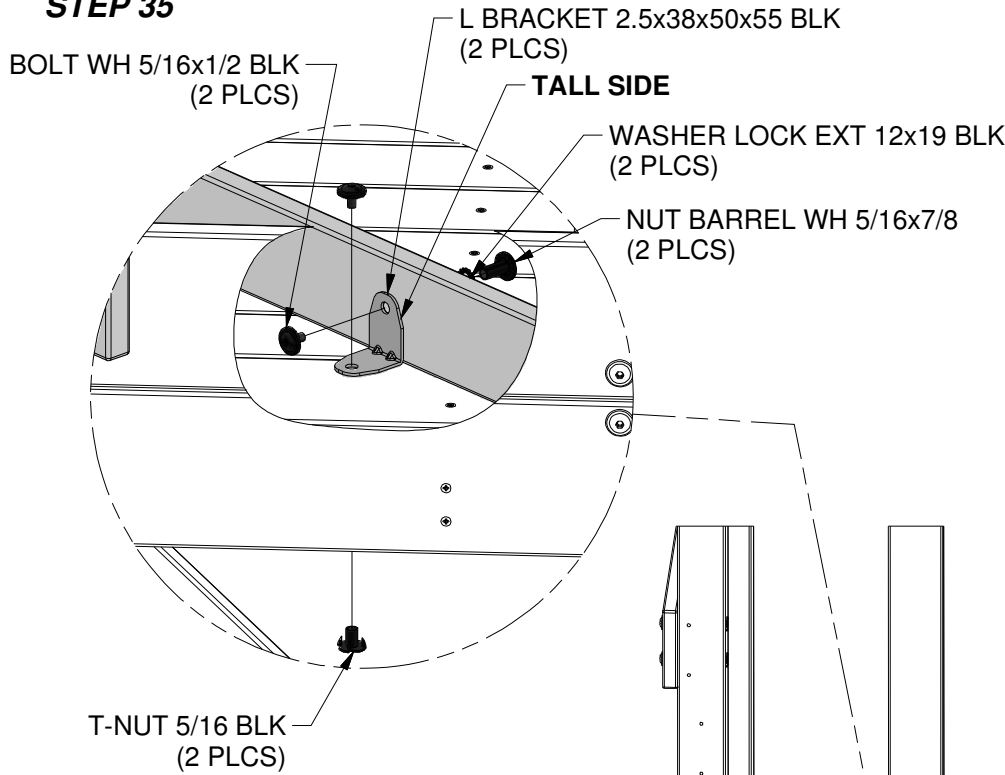


**ANGLES ON BRACKET SIDE.**



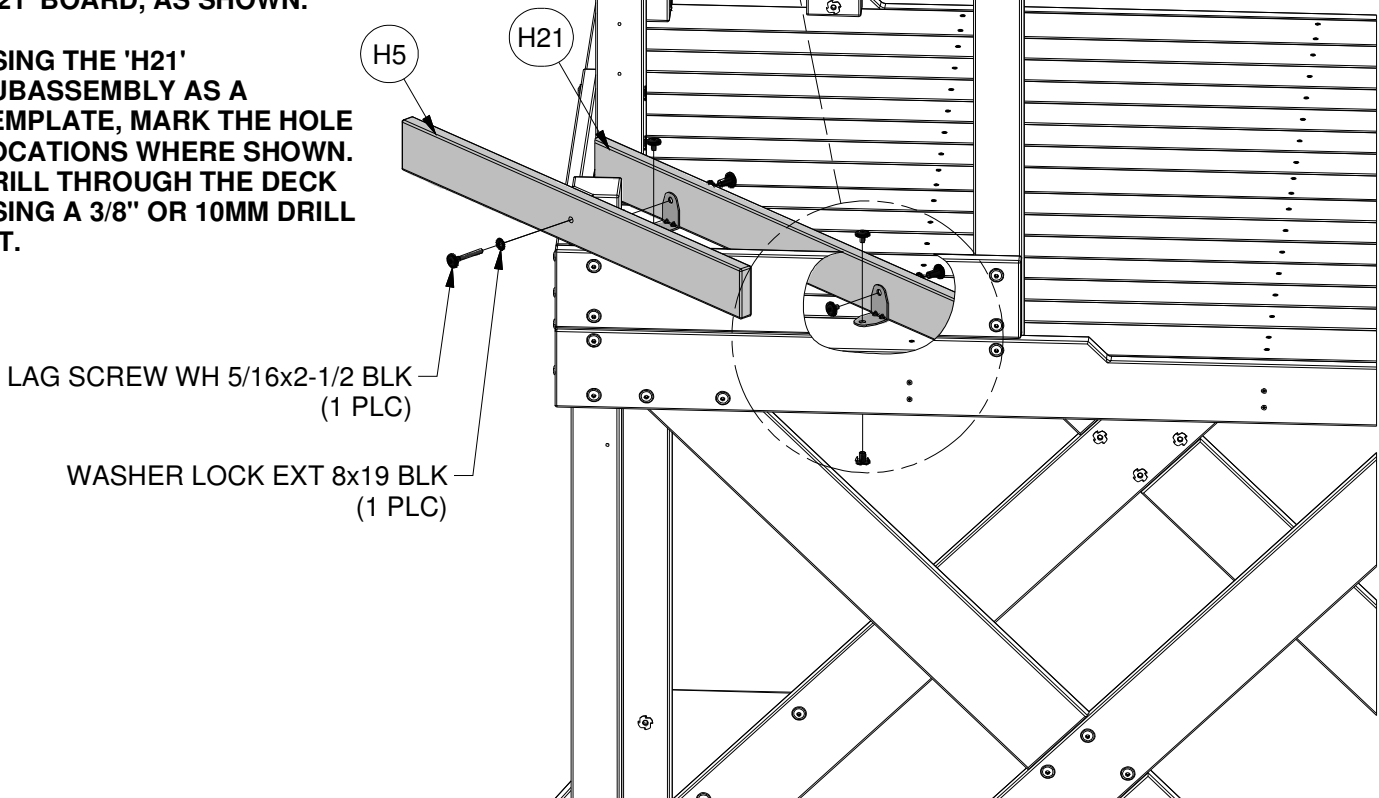
(2) - **L BRACKET 2.5x38x50x55 BLK - A4M00615**

**STEP 35**



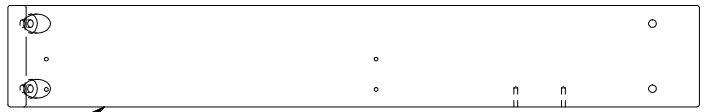
**ASSEMBLE L-BRACKETS TO 'H21' BOARD, AS SHOWN.**

**USING THE 'H21' SUBASSEMBLY AS A TEMPLATE, MARK THE HOLE LOCATIONS WHERE SHOWN. DRILL THROUGH THE DECK USING A 3/8" OR 10MM DRILL BIT.**





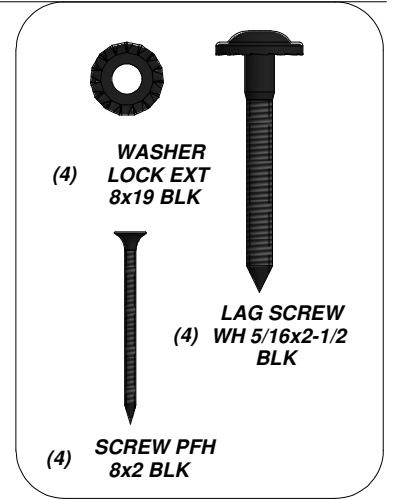
(1) G7 - WALL SUPPORT - W4L12842  
1"x5 1/4"x36" (24x134x915)



(1) G10 - WALL SUPPORT - W4L08481  
1"x5 1/4"x36" (24x134x915)

BOTTOM EDGE

**STEP 36**



(4) WASHER  
LOCK EXT  
8x19 BLK

LAG SCREW  
(4) WH 5/16x2-1/2  
BLK

(4) SCREW PFH  
8x2 BLK

LAG SCREW WH 5/16x2-1/2 BLK  
(4 PLCS)

SCREW PFH 8x2 BLK  
(4 PLCS)

G7

ENSURE BOTTOM  
EDGE IS DOWN

G10





(1) **B10 - POST - W4L08484**  
3"x3"x47 1/4" (76x76x1201)



(1) **B12 - POST - W4L08487**  
3"x3"x13 5/8" (76x76x345)



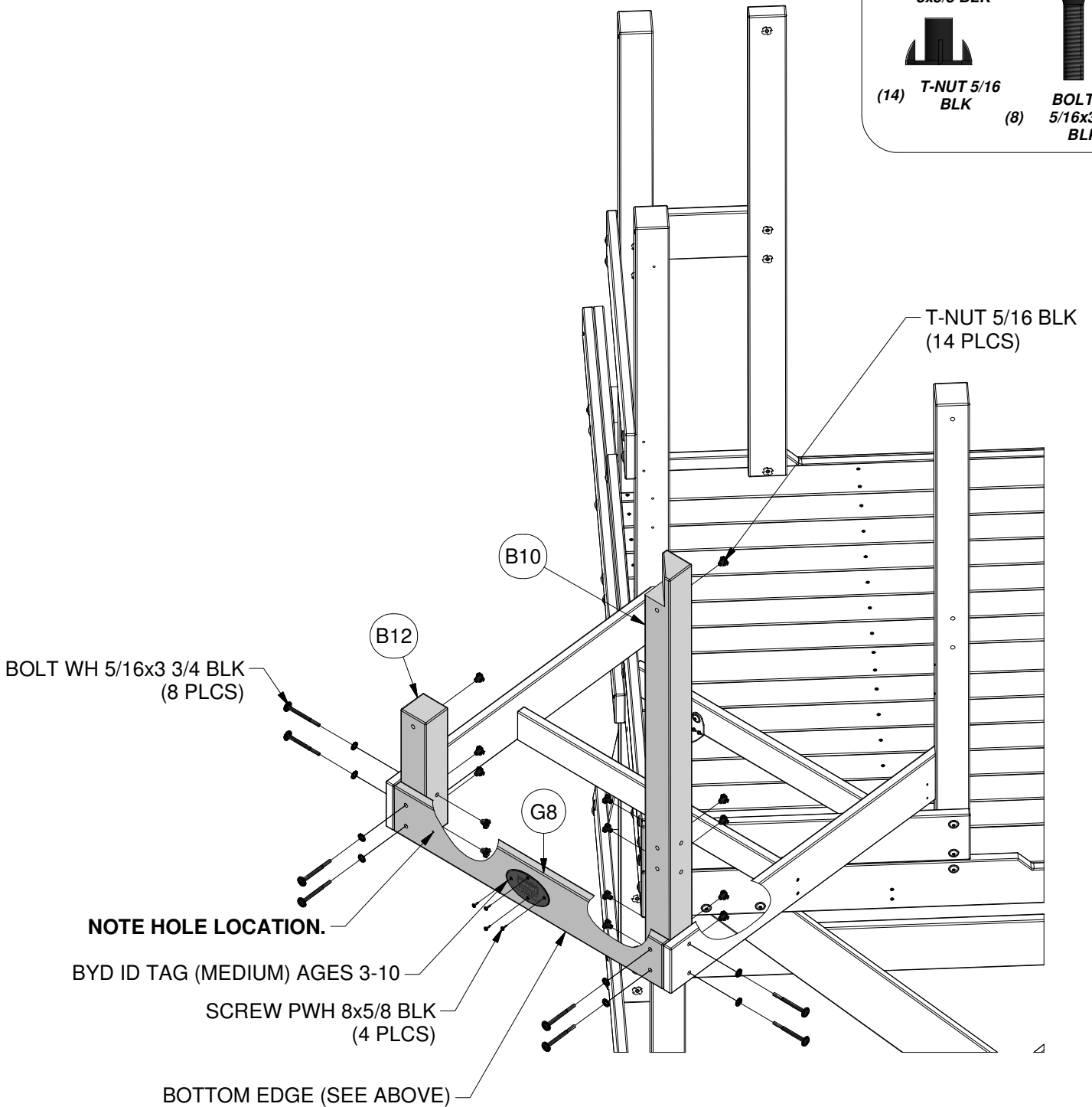
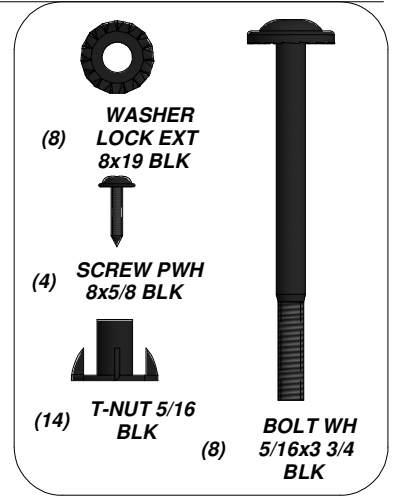
(1) **G8 - WALL SUPPORT - W4L12843**  
1"x5 1/4"x32" (24x134x813)



(1) - **BYD ID TAG (MEDIUM) AGES 3-10 - A100175**

### STEP 37

**IT IS RECOMMENDED THAT YOU PLACE ALL T-NUTS BEFORE YOU BEGIN ASSEMBLY OF PARTS**

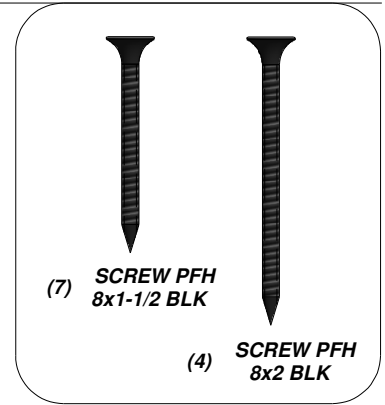


(1) **H6 - FLOOR SUPPORT - W4L08482**  
1"x3 3/8"x32" (24x86x813)

(1) **H7 - FLOOR SUPPORT - W4L08483**  
1"x3 3/8"x26" (24x86x661)

(2) **H20 - FLOOR SUPPORT - W4L08562**  
1"x2 3/4"x3" (24x70x76)

**STEP 38**



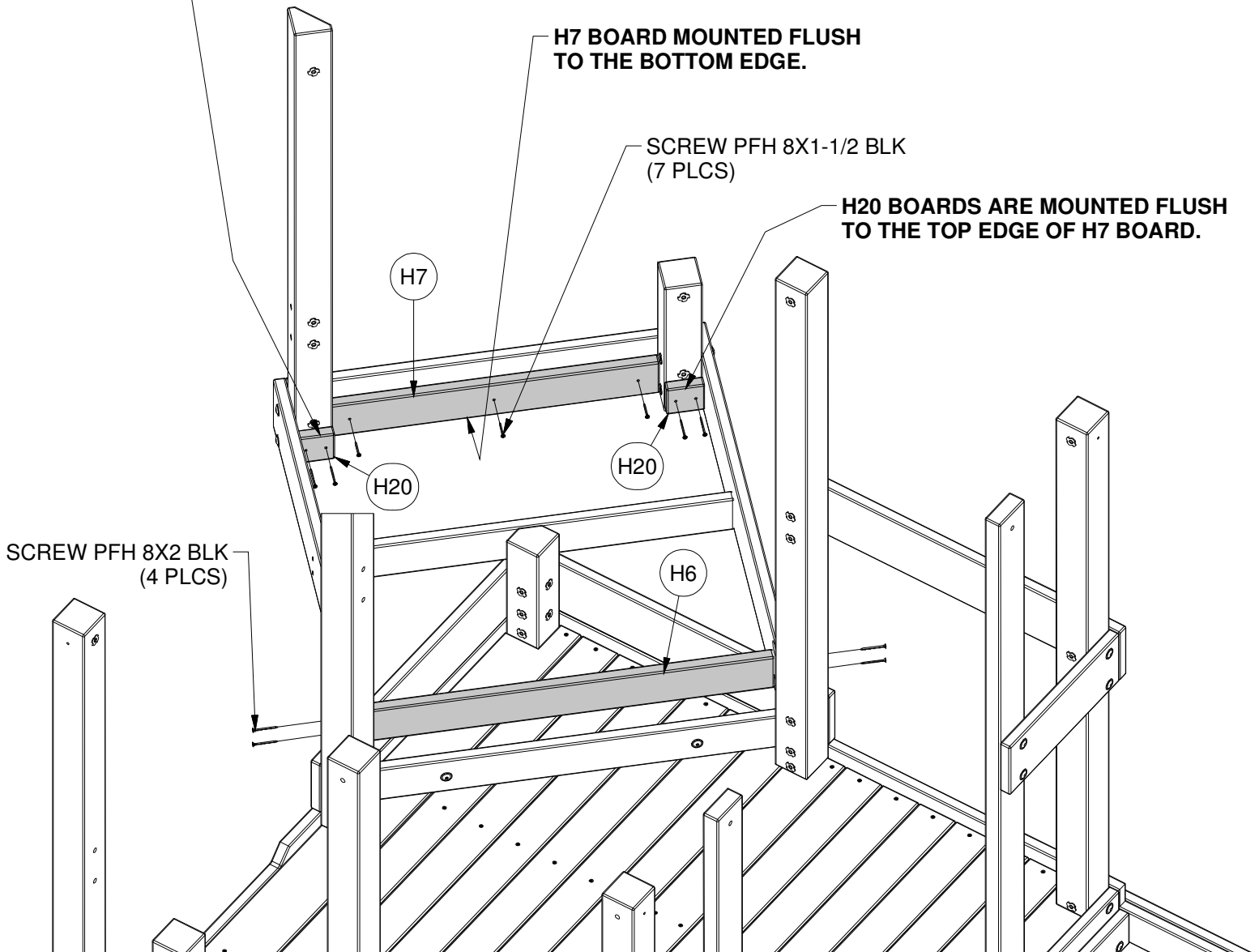
**H20 BOARDS ARE MOUNTED FLUSH TO THE TOP EDGE OF H7 BOARD.**

**H7 BOARD MOUNTED FLUSH TO THE BOTTOM EDGE.**

**SCREW PFH 8X1-1/2 BLK (7 PLCS)**

**H20 BOARDS ARE MOUNTED FLUSH TO THE TOP EDGE OF H7 BOARD.**

**SCREW PFH 8X2 BLK (4 PLCS)**



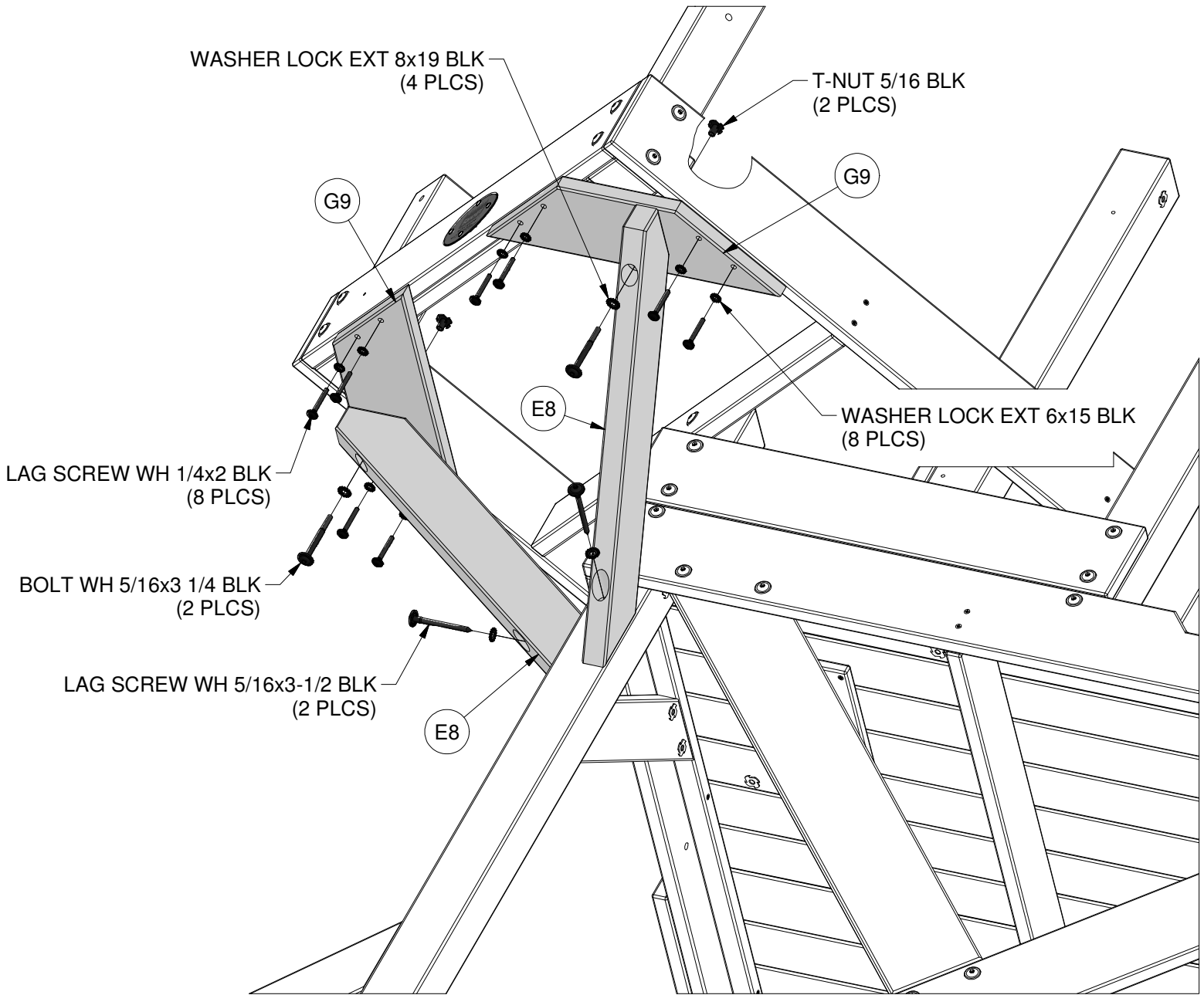
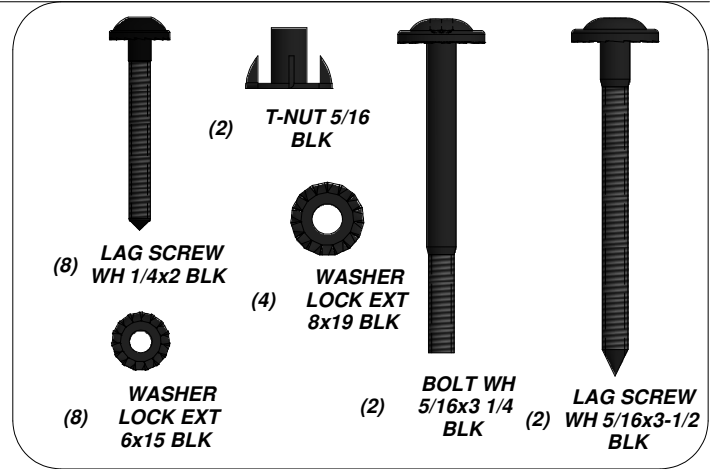


(2) **E8 - ANGLE SUPPORT BRACE - W4L12935**  
1 3/8"x3 3/8"x25 3/8" (36x86x643)



(2) **G9 - CROSS BRACE - W4L12939**  
1"x5 1/4"x17 3/4" (24x134x450)

**STEP 39**



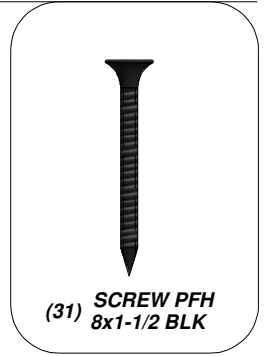


(7) **M1 - FLOOR BOARD - W4L08489**  
5/8"x3 3/8"x34 1/4" (16x86x869)

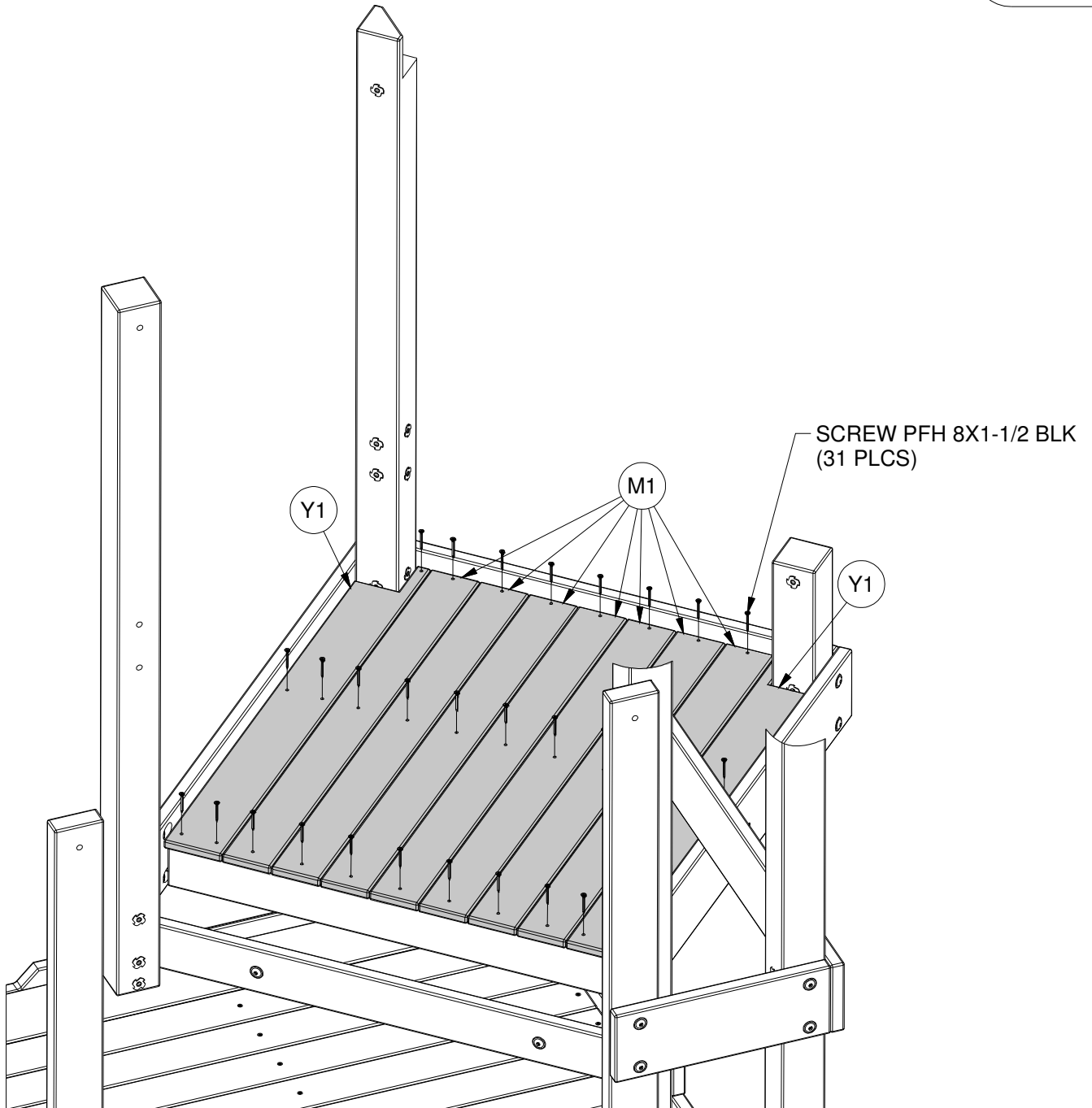


(2) **Y1 - FLOOR BOARD - W4L08488**  
5/8"x4"x34 1/4" (16x102x869)

**STEP 40**



(31) **SCREW PFH**  
8x1-1/2 BLK





(1) **G14 - WALL SUPPORT - W4L08492**  
1"x5 1/4"x10 5/8" (24x134x269)

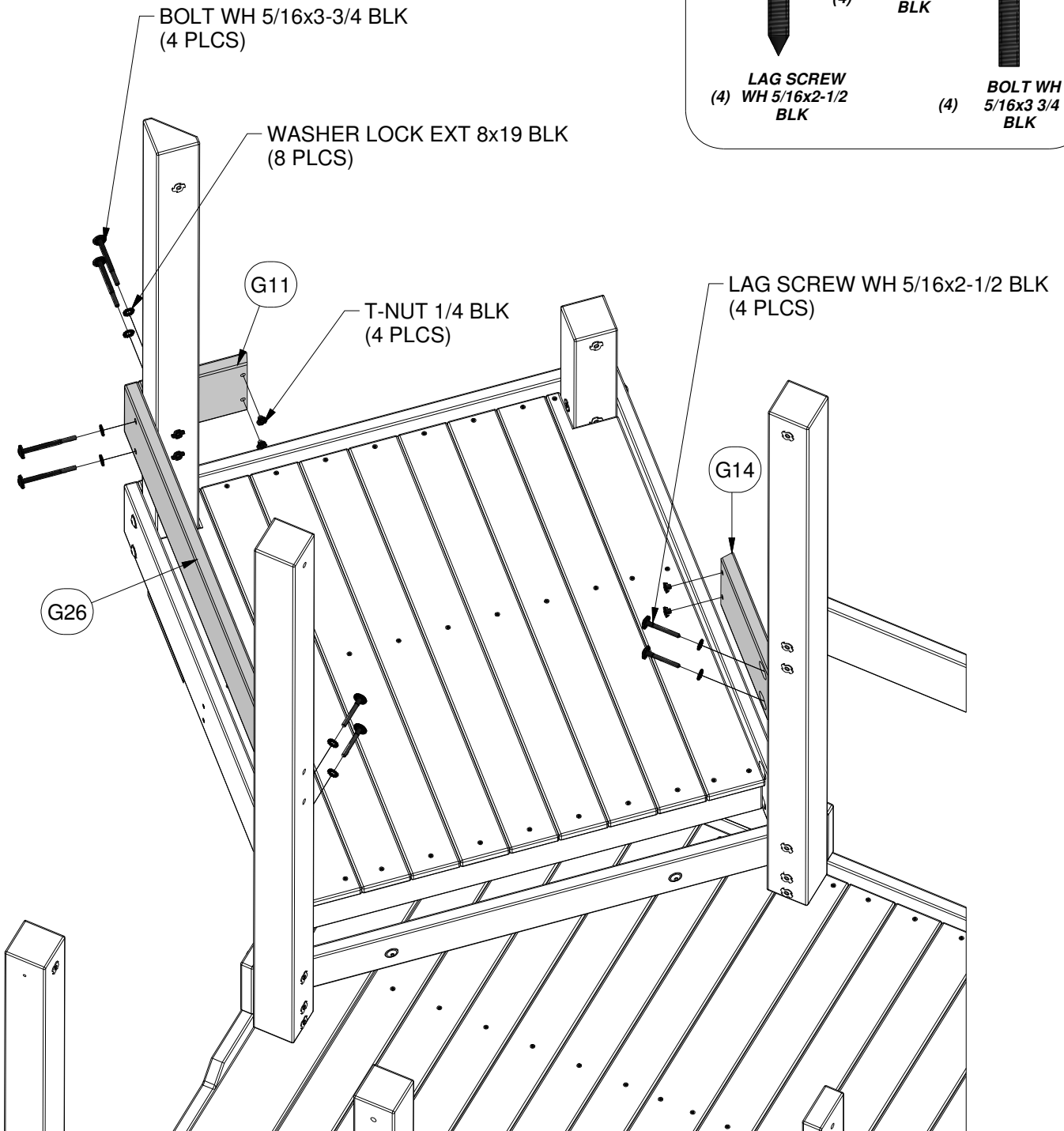
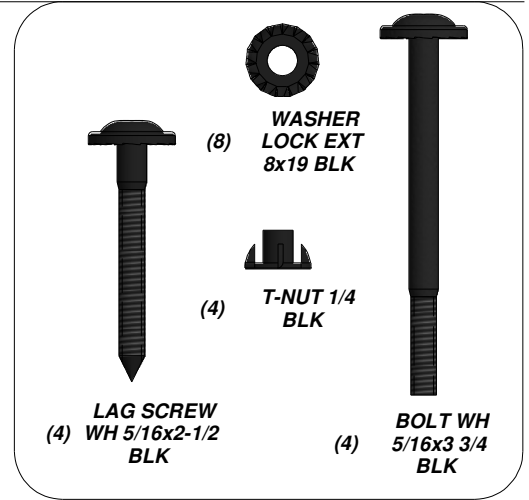


(1) **G11 - WALL SUPPORT - W4L08486**  
1"x5 1/4"x7 1/2" (24x134x192)



(1) **G26 - WALL SUPPORT - W4L08485**  
1"x5 1/4"x36" (24x134x915)

### STEP 41





(1) **J2 - FLOOR SUPPORT - W4L12844**  
1"x2 3/8"x23 3/8" (24x60x594)



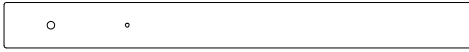
(1) **L02 - WALL PICKET - W4L12931**  
5/8"x4 3/8"x9 5/8" (16x112x243)



(1) **M11 - WALL PICKET - W4L08516**  
5/8"x3 3/8"x9 5/8" (16x86x243)



(2) **T3 - WALL BOARD - W4L12934**  
1"x1 3/8"x5 7/8" (24x34x150)



(1) **J3 - FLOOR SUPPORT - W4L12845**  
1"x2 3/8"x24 3/8" (24x60x619)



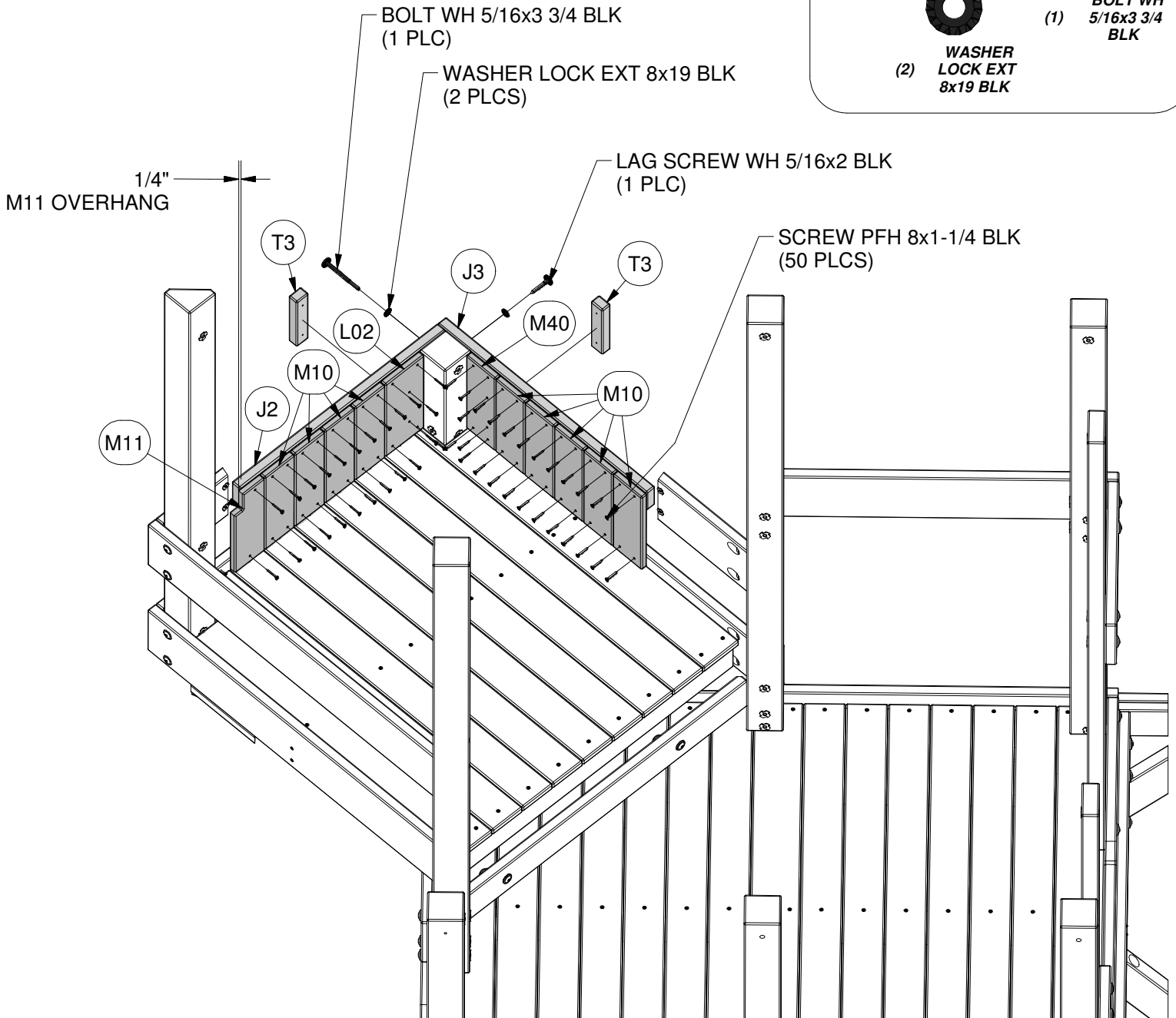
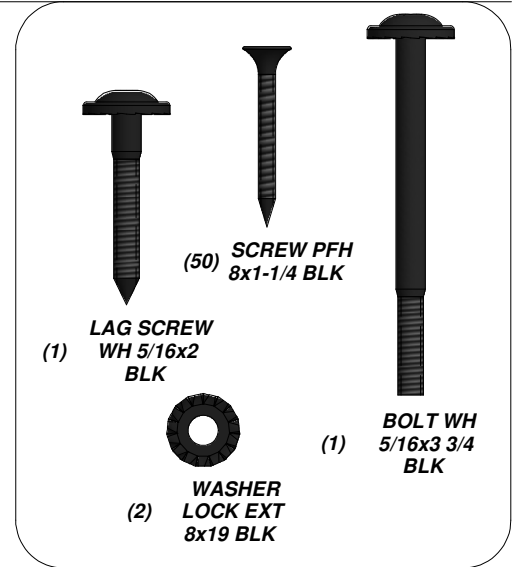
(1) **M40 - WALL PICKET - W4L12930**  
5/8"x3 3/8"x9 5/8" (16x86x243)

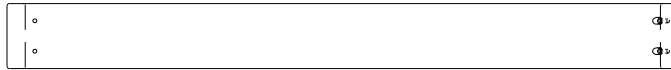


(9) **M10 - WALL PICKET - W4L08515**  
5/8"x3 3/8"x9 5/8" (16x86x243)

## STEP 42

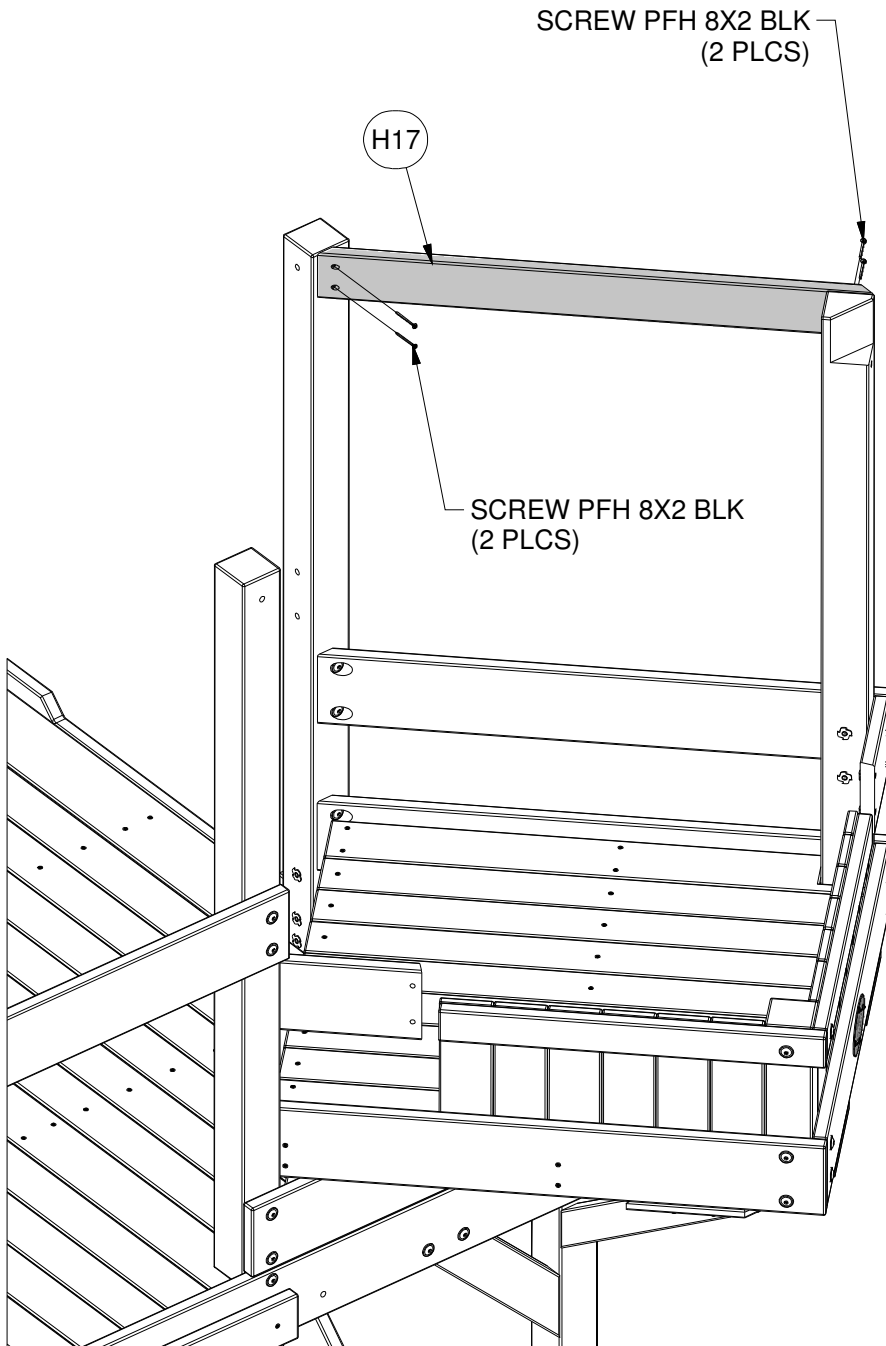
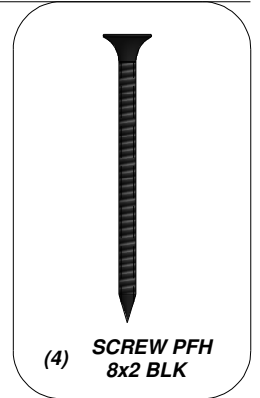
**EVENLY SPACE BOARDS WITH APPROXIMATELY 1 MM OF GAP BETWEEN BOARDS.**





(1) **H17 - WALL SUPPORT - W4L08533**  
1"x3 3/8"x35" (24x86x889)

**STEP 43**





(2) **M19 - WALL PICKET - W4L08534**  
5/8"x3 3/8"x43 1/4" (16x86x1099)



(1) **M20 - WALL BOARD - W4L08536**  
5/8"x3 3/8"x20 1/2" (16x86x521)

1 3/16 in"  
[30 mm]



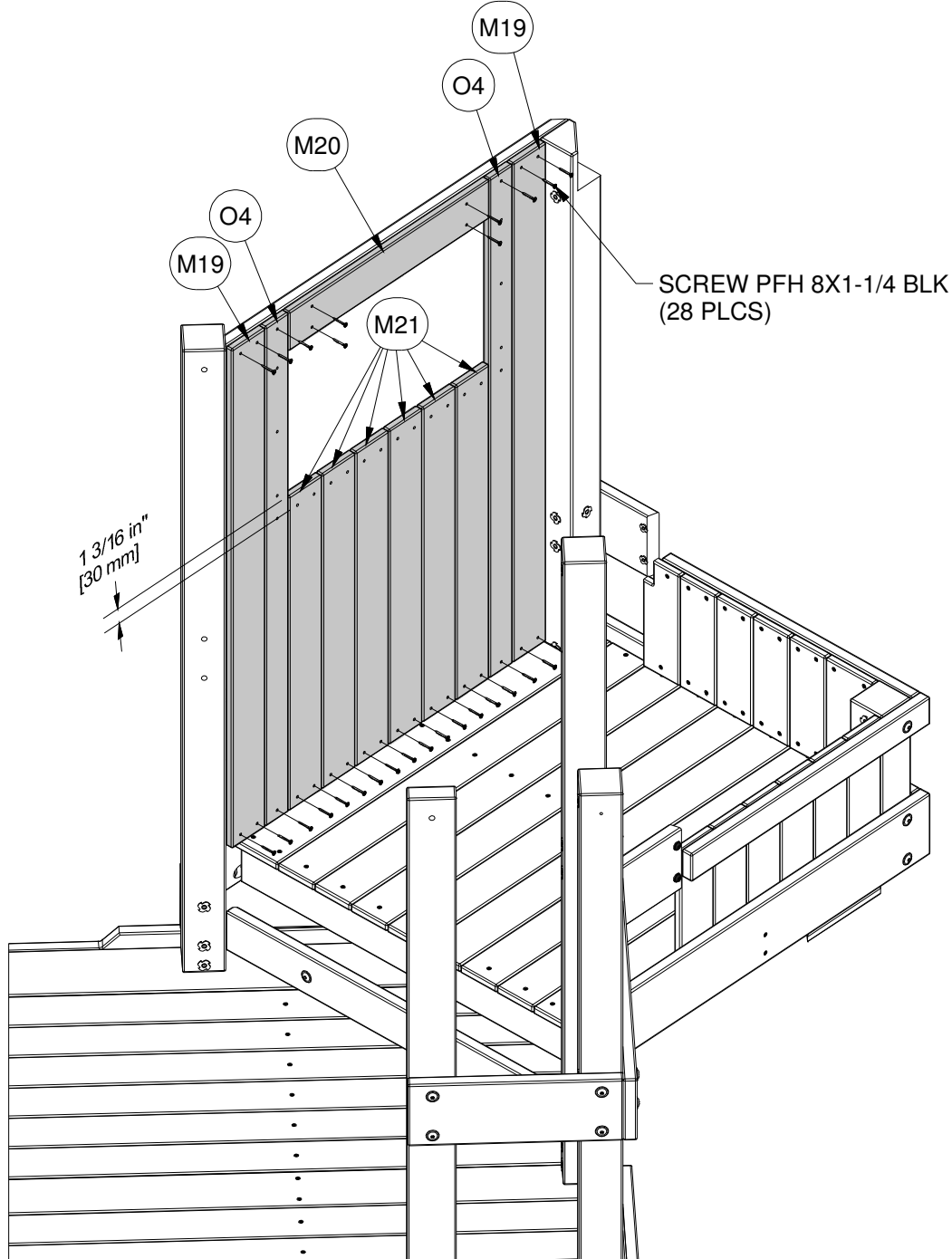
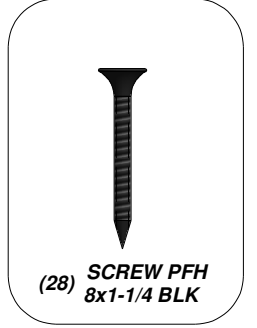
(2) **O4 - WALL PICKET - W4L08535**  
5/8"x2 3/8"x43 1/4" (16x60x1099)



(6) **M21 - WALL PICKET - W4L08537**  
5/8"x3 3/8"x27 1/4" (16x86x692)

TOP

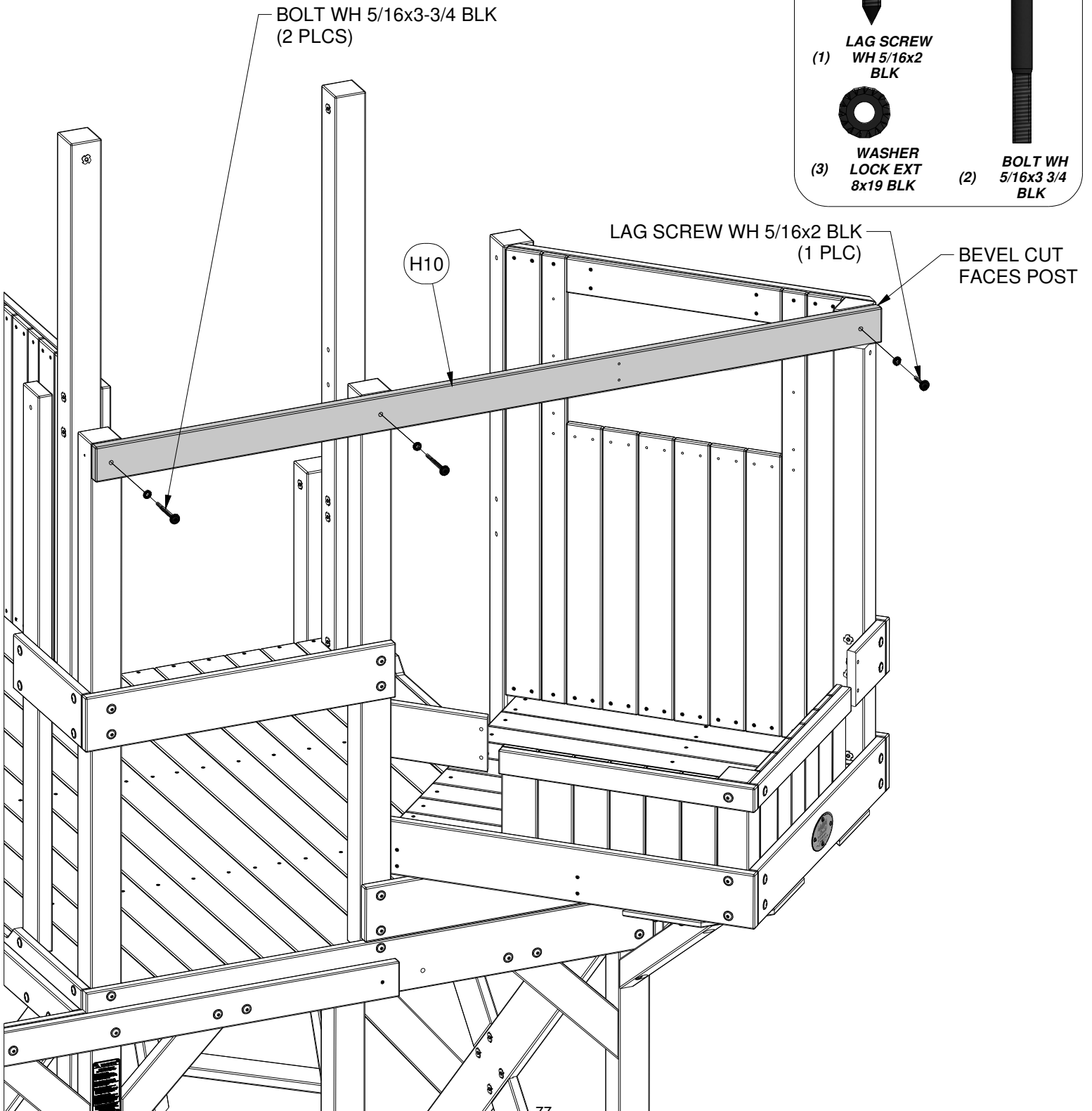
### STEP 44





(1) **H10 - ROOF SUPPORT - W4L08513**  
1"x3 3/8"x76 3/4" (24x86x1949)

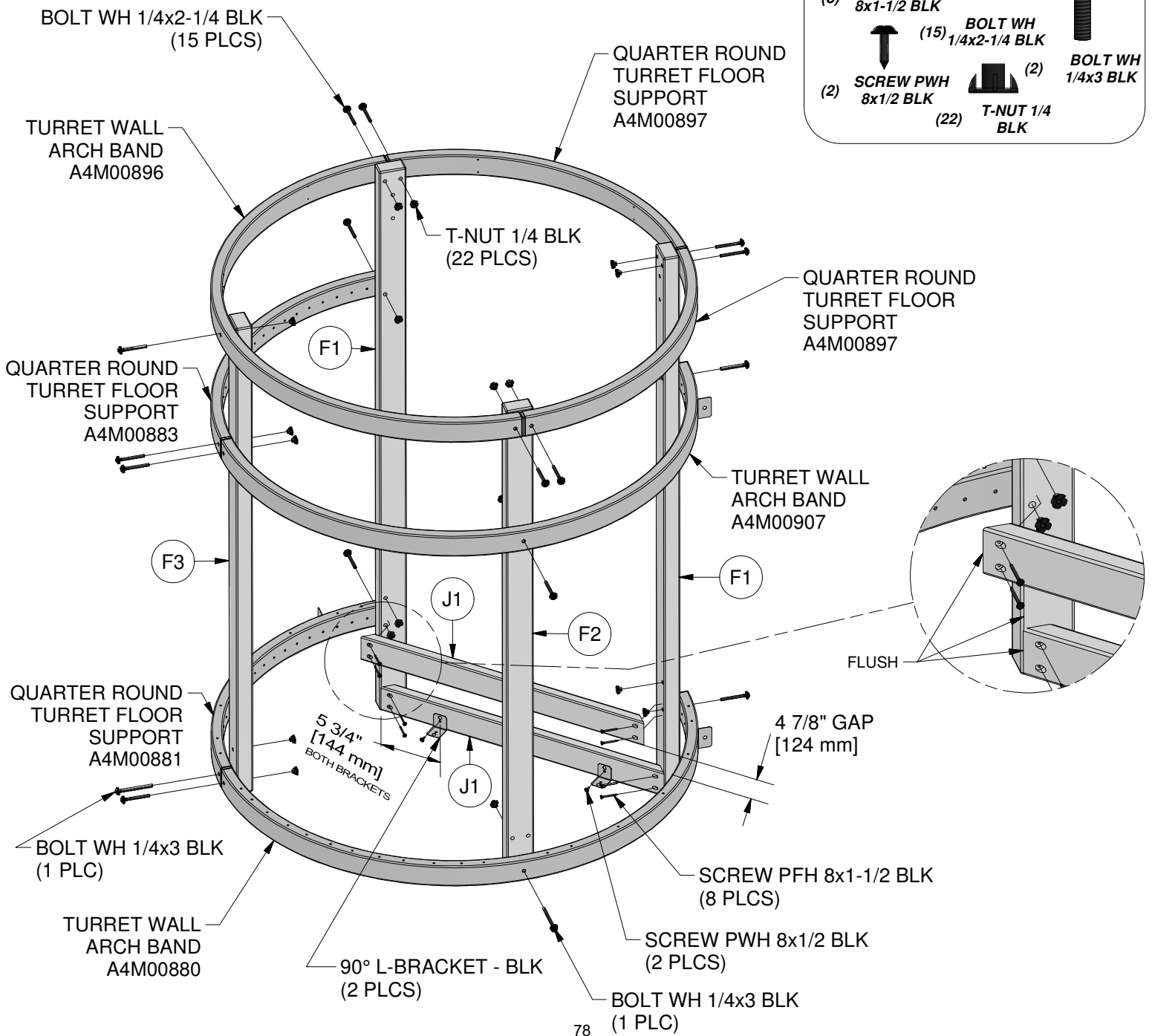
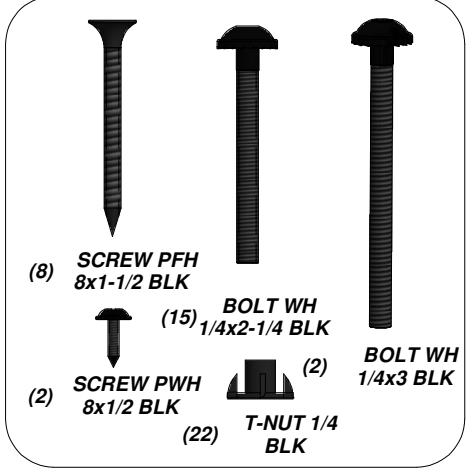
**STEP 45**

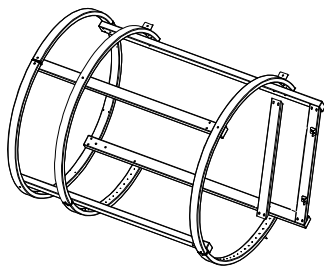


- (2) **J1 - WALL SUPPORT - W4L08496**  
1"x2 3/8"x27 1/8" (24x60x688)
- (2) **- 90° L-BRACKET - BLK - A4M00555**
- (1) **F2 - POST - W4L08503**  
1 3/8"x2 3/8"x47 1/4" (36x60x1200)
- (1) **F3 - POST - W4L08504**  
1 3/8"x2 3/8"x47 1/4" (36x60x1200)
- (2) **F1 - POST - W4L08495**  
1 3/8"x2 3/8"x54 5/8" (36x60x1389)

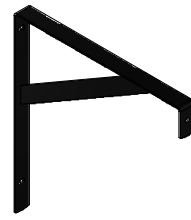
- (1) -TURRET WALL ARCH BAND - A4M00880
- (1) -TURRET WALL ARCH BAND - A4M00907
- (1) -TURRET WALL ARCH BAND - A4M00896
- (2) -QUARTER ROUND TURRET FLOOR SUPPORT - A4M00897
- (1) -QUARTER ROUND TURRET FLOOR SUPPORT - A4M00881
- (1) -QUARTER ROUND TURRET FLOOR SUPPORT - A4M00883

**STEP 46**  
**IT IS RECOMMENDED THAT YOU PLACE ALL T-NUTS BEFORE YOU BEGIN ASSEMBLY OF PARTS**



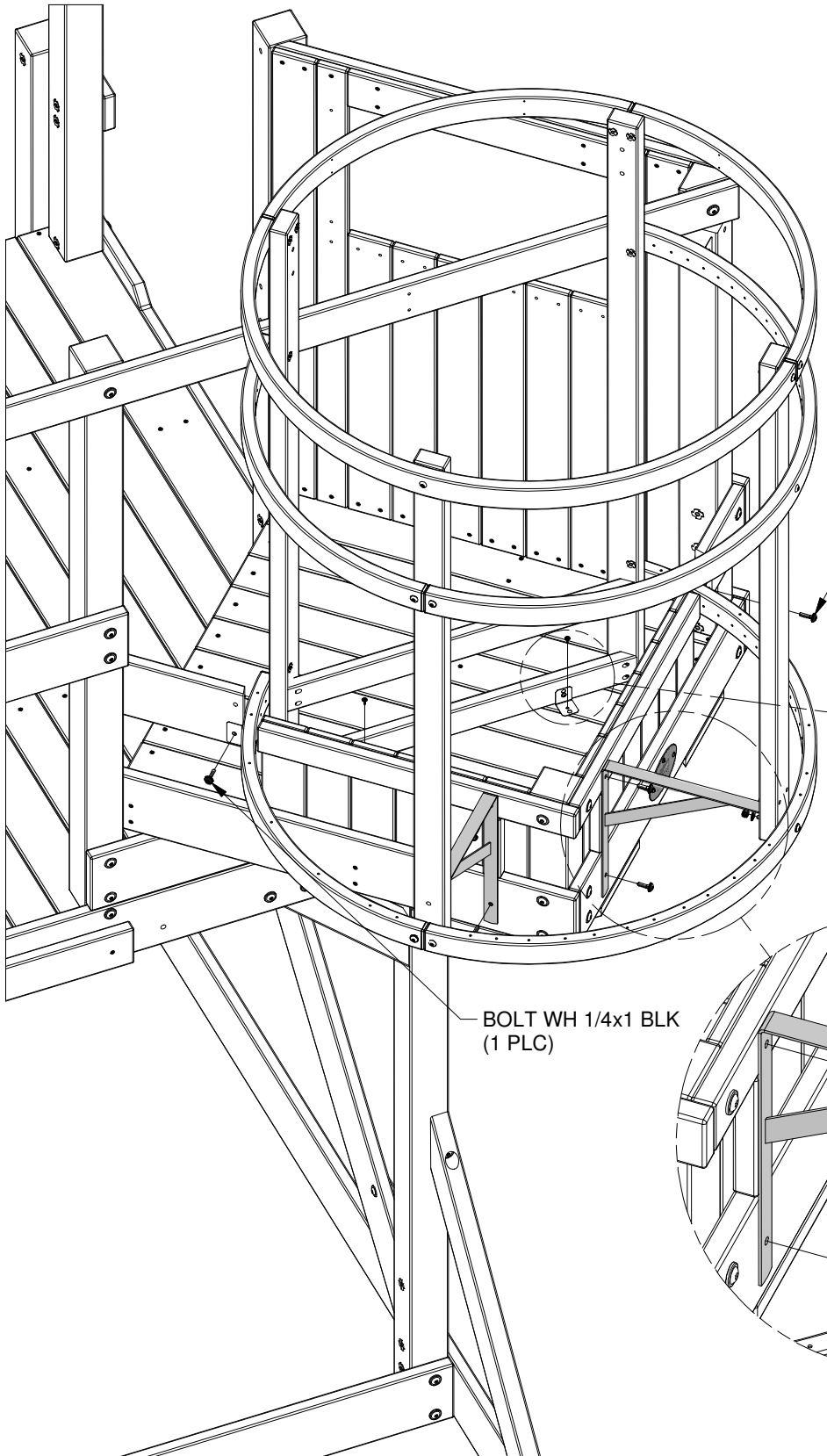


(1) TURRET SUBASSEMBLY



(2) - METAL ANGLE BRACE - A4M01012

**STEP 47**



- (4) LAG SCREW WH 1/4x1 BLK
- (2) BOLT WH 1/4x1 BLK
- (2) WASHER FLAT 8x19 BLK
- (2) SCREW PWH 8x1/2 BLK
- (2) NUT LOCK 1/4 BLK

BOLT WH 1/4x1 BLK  
(1 PLC)

SCREW PWH 8x1/2 BLK  
(2 PLCS)

BOLT WH 1/4x1 BLK  
(1 PLC)

METAL ANGLE BRACE  
(2 PLCS)

WASHER FLAT 8x19 BLK  
(2 PLCS)

NUT LOCK 1/4 BLK  
(2 PLCS)

LAG SCREW WH 1/4x1 BLK  
(4 PLCS)



(4) **L8 - WALL PICKET - W4L08046**  
5/8"x4 3/8"x9 5/8" (16x112x244)

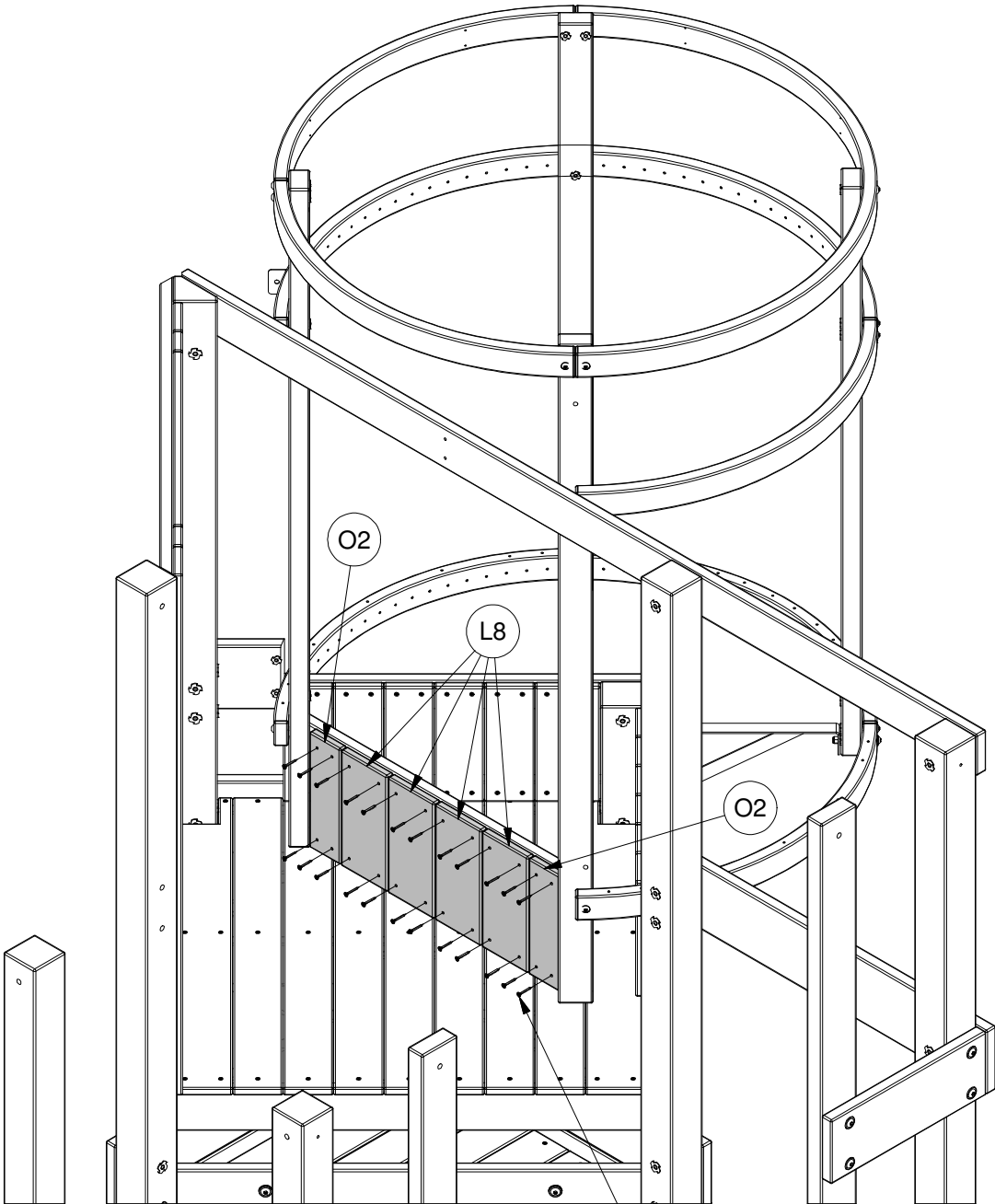


(2) **O2 - WALL PICKET - W4L08047**  
5/8"x3"x9 5/8" (16x75x244)

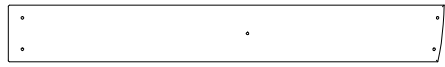
**STEP 48**



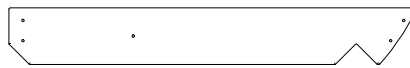
(24) **SCREW PFH**  
8x1-1/4 BLK



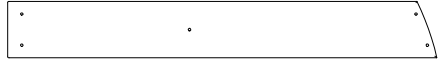
**SCREW PFH 8x1-1/4 BLK**  
(24 PLCS)



(2) **L1 - FLOOR BOARD - W4L12916**  
5/8"x4 3/8"x34" (16x112x865)



(2) **L5 - FLOOR BOARD - W4L12918**  
5/8"x4 3/8"x31 7/8" (16x112x811)



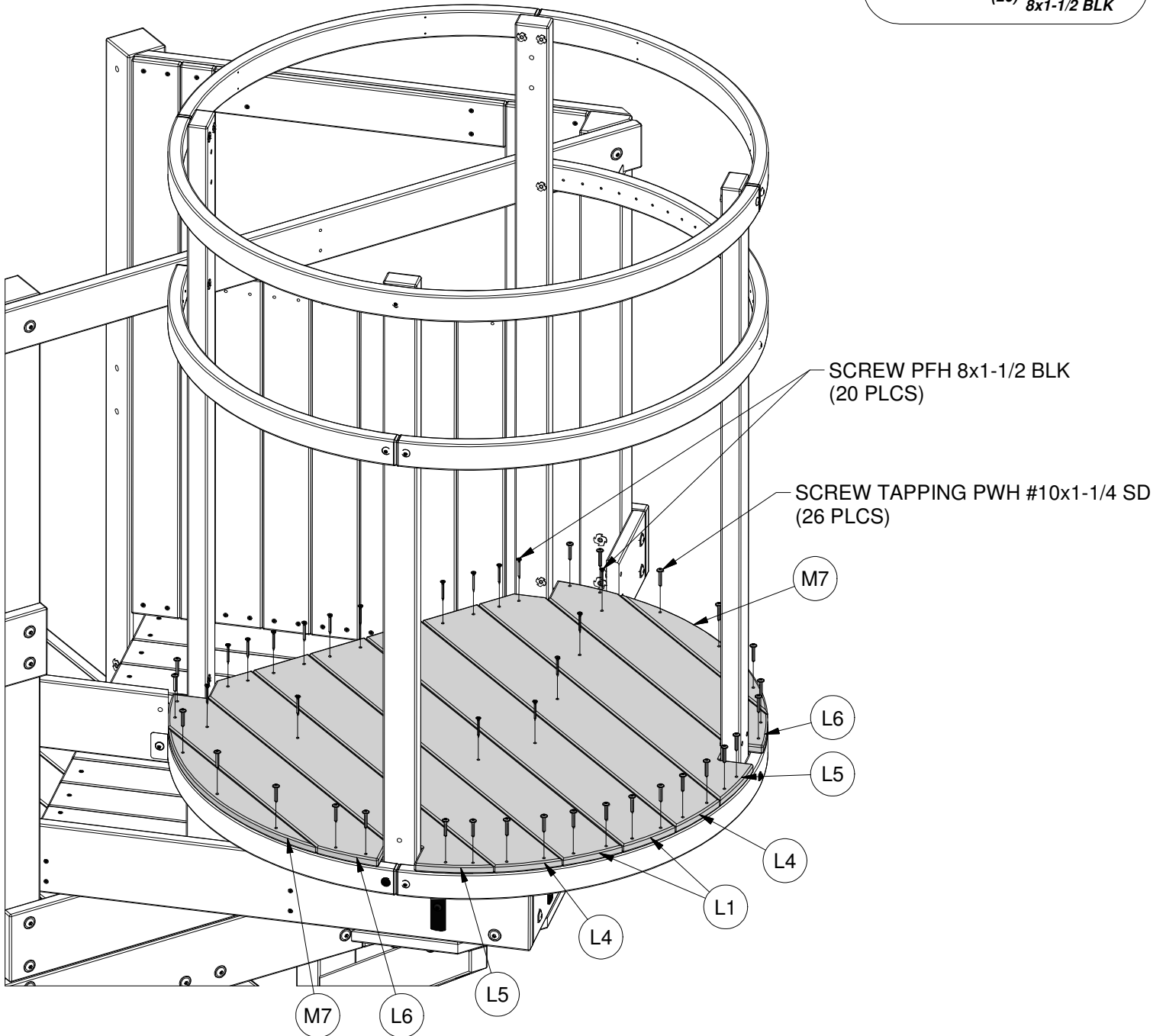
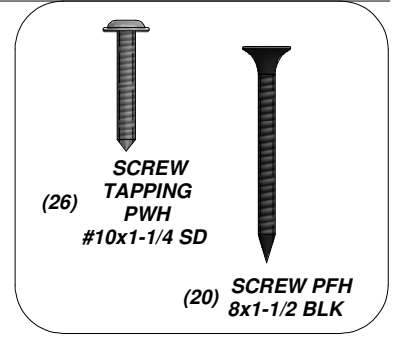
(2) **L4 - FLOOR BOARD - W4L12917**  
5/8"x4 3/8"x33 1/2" (16x112x852)

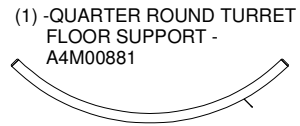
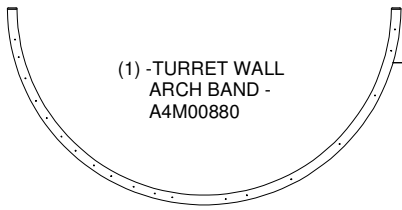


(2) **L6 - FLOOR BOARD - W4L12919**  
5/8"x4 3/8"x27" (16x112x687)

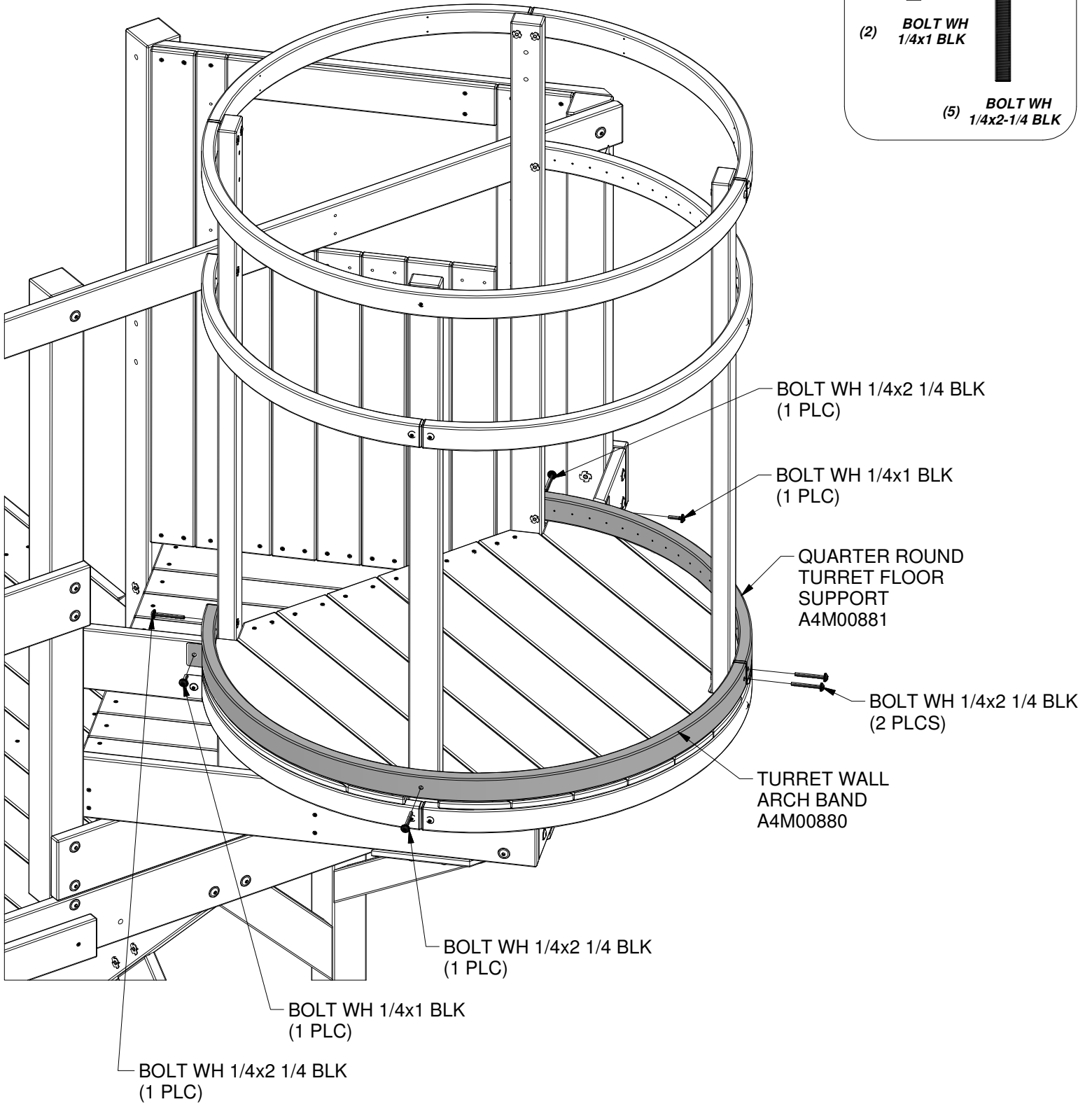
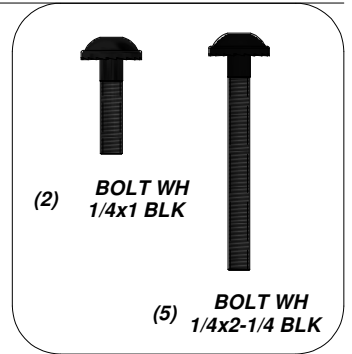
(2) **M7 - FLOOR BOARD - W4L08038**  
5/8"x2 1/2"x19 3/8" (16x62x493)

**STEP 49**



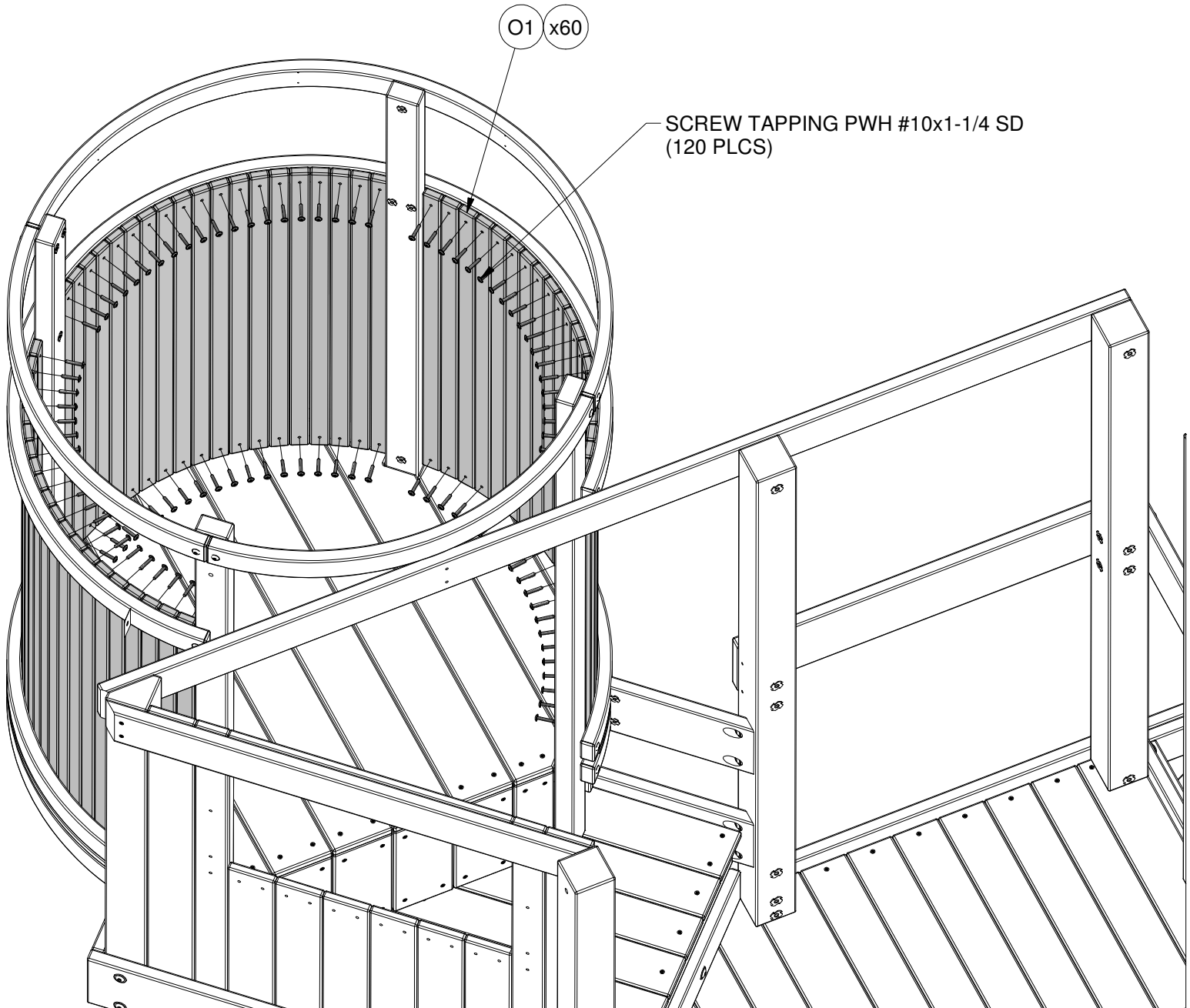


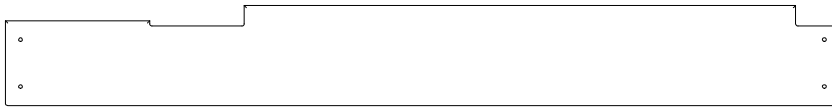
**STEP 50**



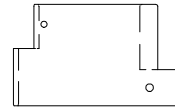
(60) O1 - WALL PICKET - W4L08506  
5/8"x1 3/8"x32 7/8" (16x34x835)

**STEP 51**



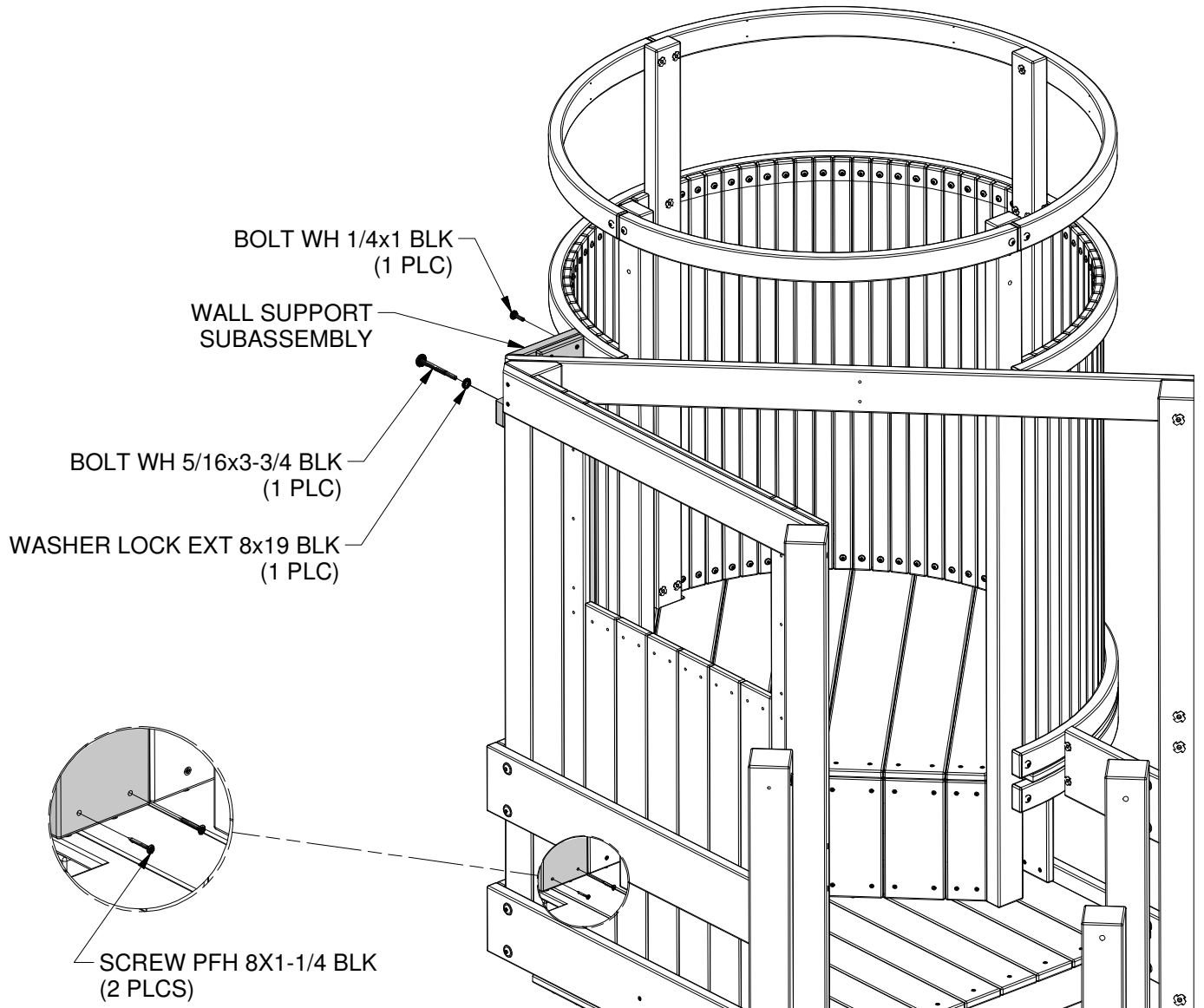
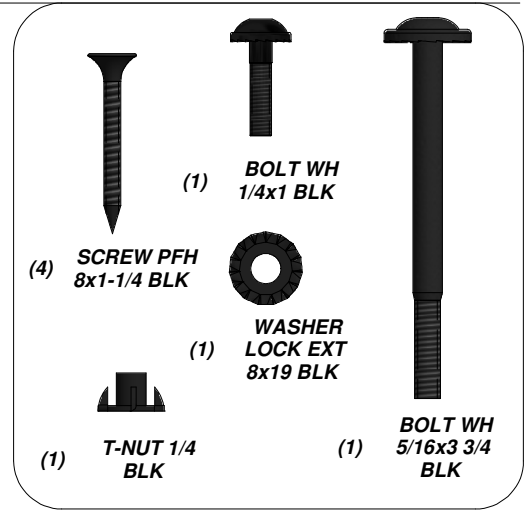
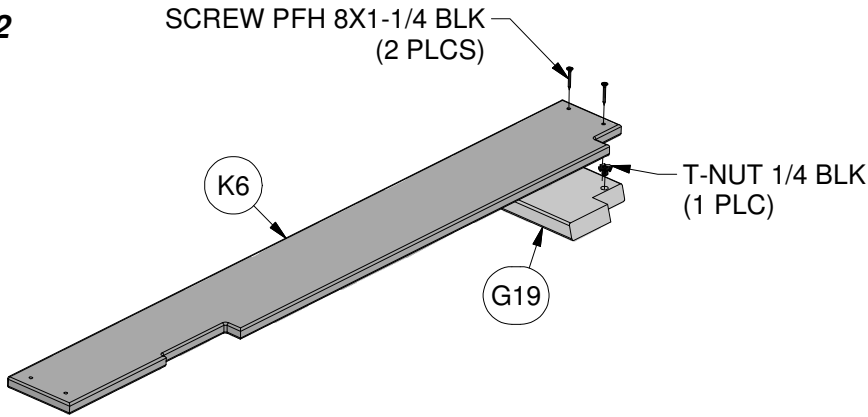


(1) **K6 - WALL PICKET - W4L08561**  
5/8"x5 1/4"x43 1/4" (16x132x1099)



(1) **G19 - WALL SUPPORT - W4L08261**  
1"x5 1/4"x8 5/8" (24x134x218)

**STEP 52**







(1) **J4 - WALL SUPPORT - W4L08550**  
 1"x2 3/8"x11 5/8" (24x60x295)

**STEP 53**

BOLT WH 1/4x1 1/4 BLK  
 (1 PLC)

WASHER LOCK EXT 6x15 BLK  
 (1 PLC)

THE 'J4' BOARD WILL ALIGN WITH ONE OF THE 'O1' PICKETS. USING THE 'J4' BOARD AS A TEMPLATE, MARK AND DRILL AN 5/16" HOLE THROUGH THE 'O1' PICKET FOR HARDWARE INSTALLATION.

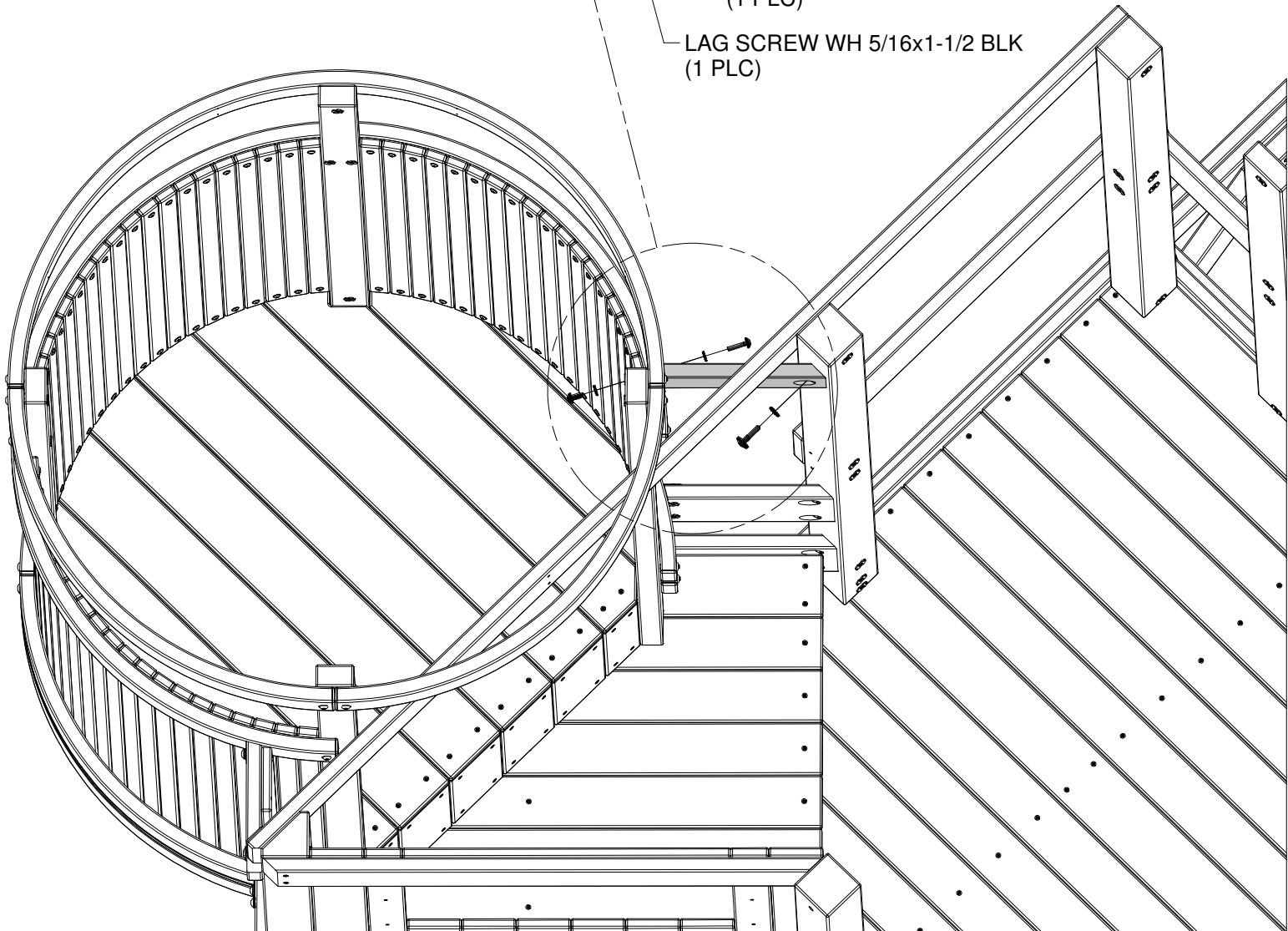
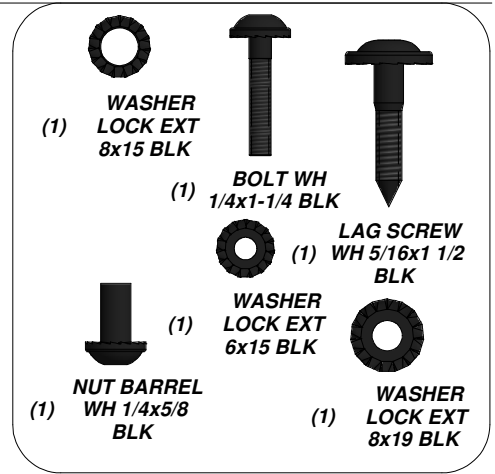
NUT BARREL WH 1/4x5/8 in BLK  
 (1 PLC)

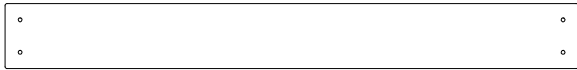
WASHER LOCK EXT 8x15 BLK  
 (1 PLC)

J4

WASHER LOCK EXT 8x19 BLK  
 (1 PLC)

LAG SCREW WH 5/16x1-1/2 BLK  
 (1 PLC)



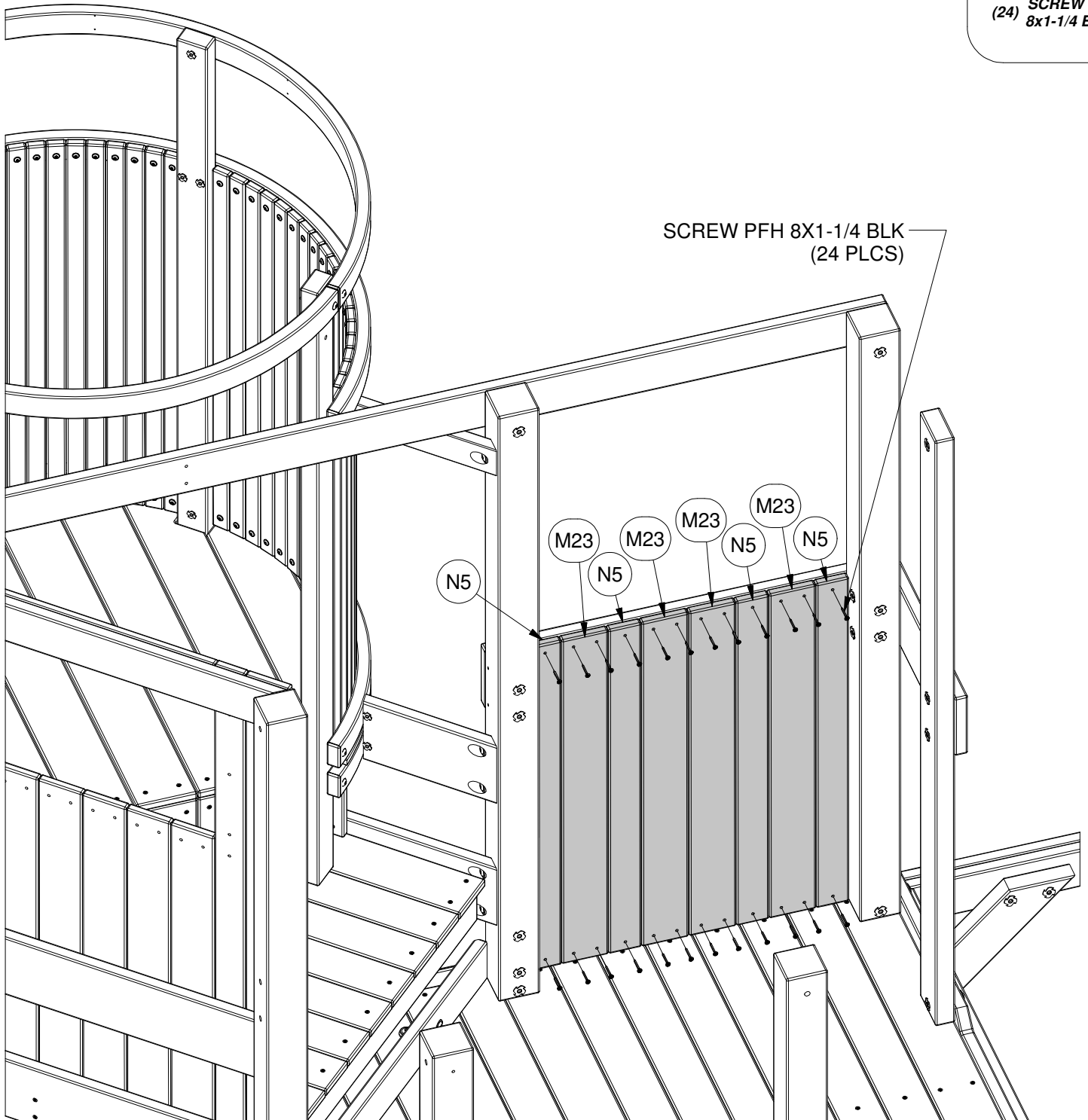
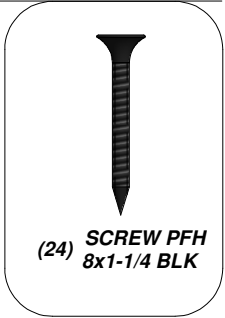


(4) **M23 - WALL PICKET - W4L08544**  
5/8"x3 3/8"x29 7/8" (16x86x759)



(4) **N5 - WALL PICKET - W4L08543**  
5/8"x2 3/8"x29 7/8" (16x60x759)

## STEP 54

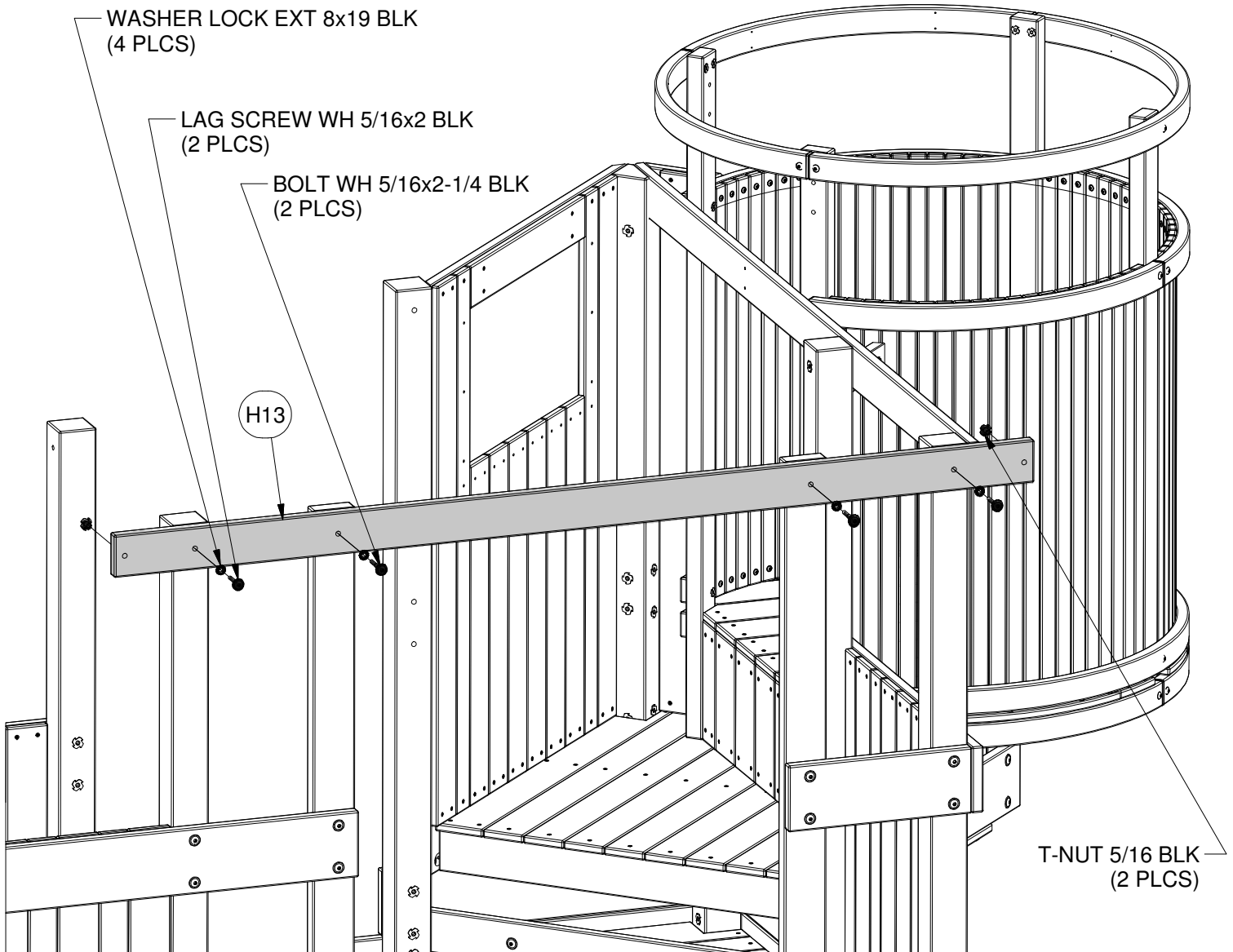
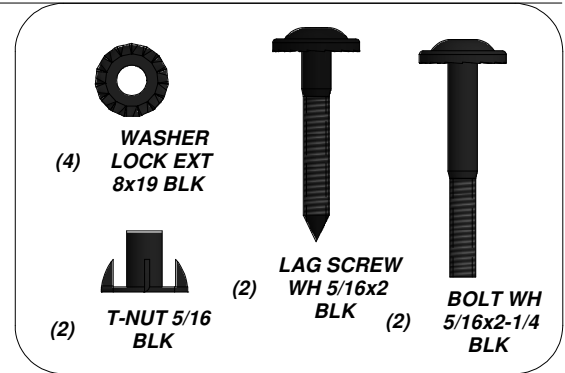


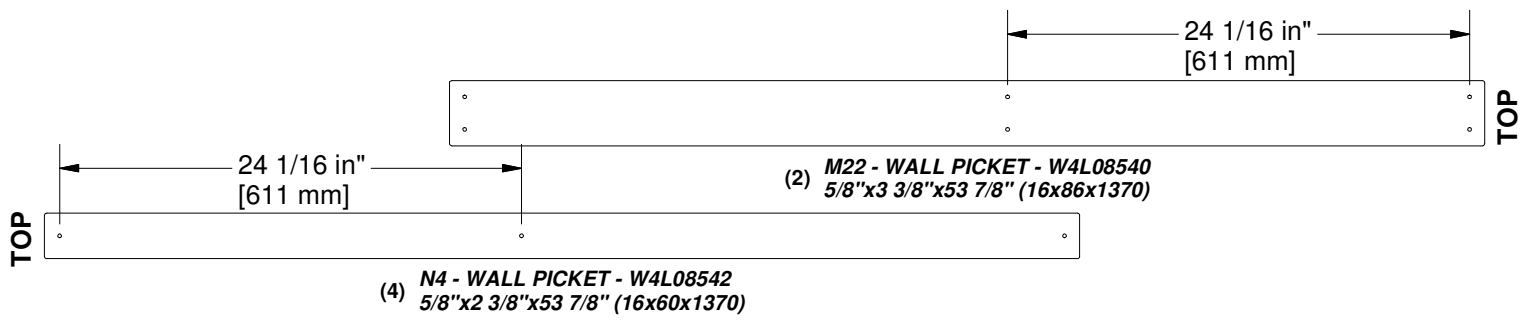


(1) **H13 - ROOF SUPPORT - W4L08520**  
1"x3 3/8"x74 3/4" (24x86x1900)

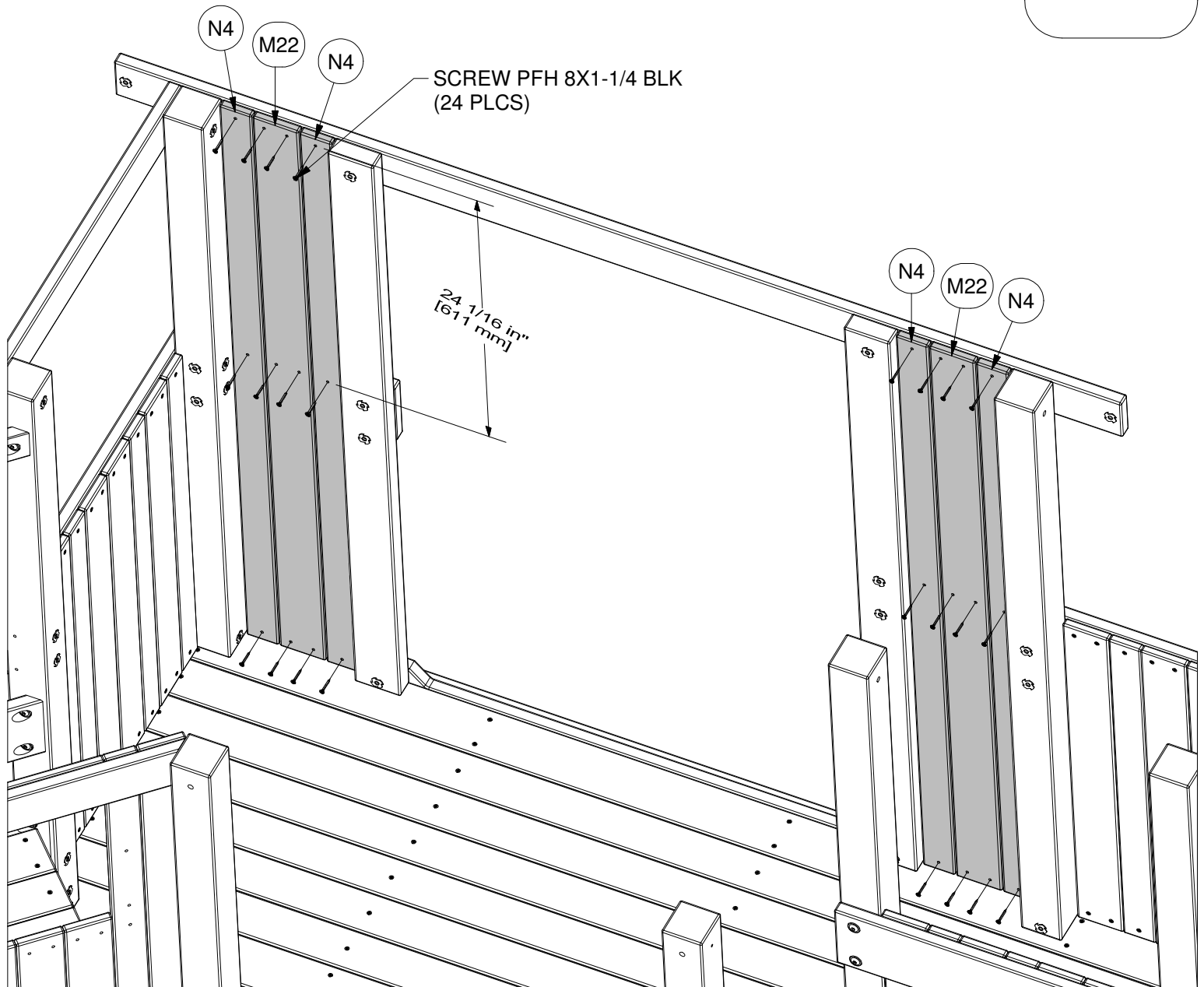
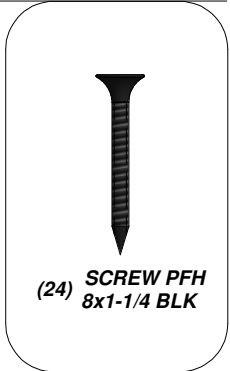
**STEP 55**

**INSTALL T-NUTS BEFORE YOU BEGIN  
ASSEMBLY OF PARTS**





**STEP 56**





(1) **B21 - POST - W4L08746**  
3"x3"x33 7/8" (76x76x860)



(1) **G23 - DECK BOARD - W4L08698**  
1"x5 1/4"x22" (24x134x560)

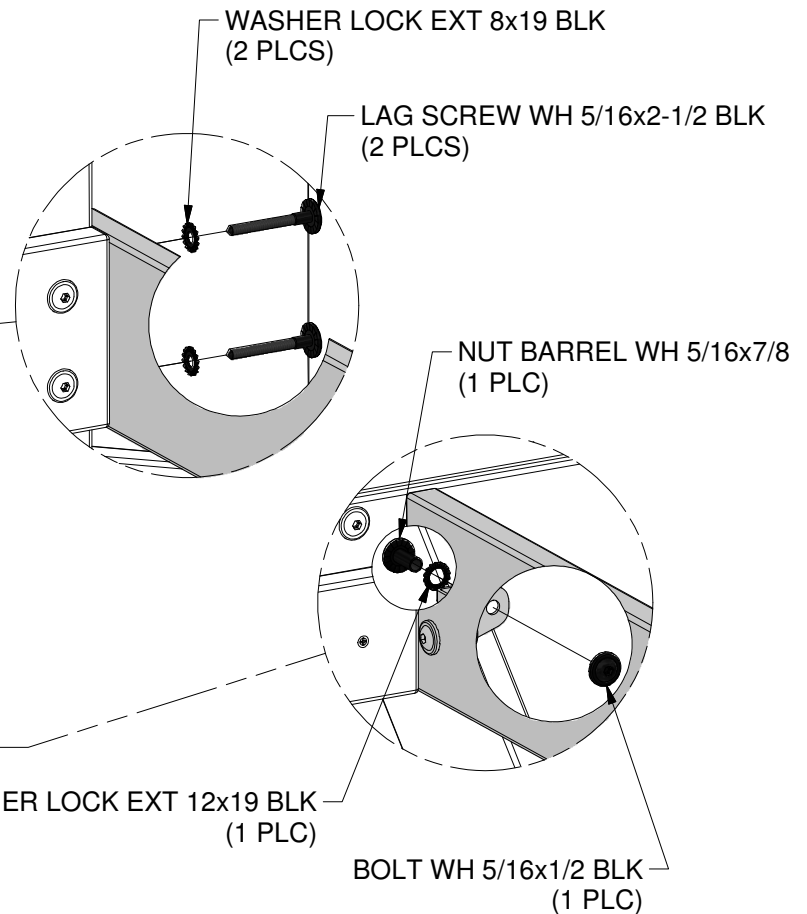
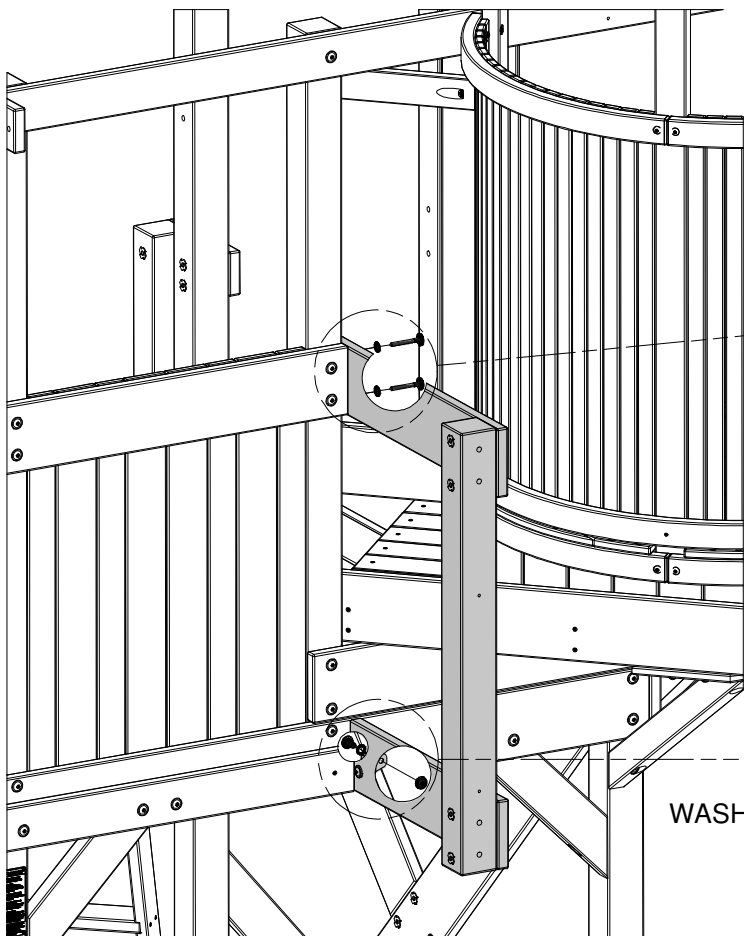
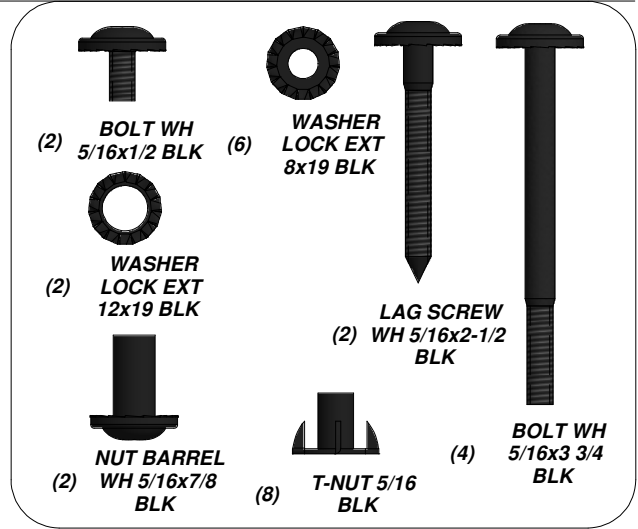
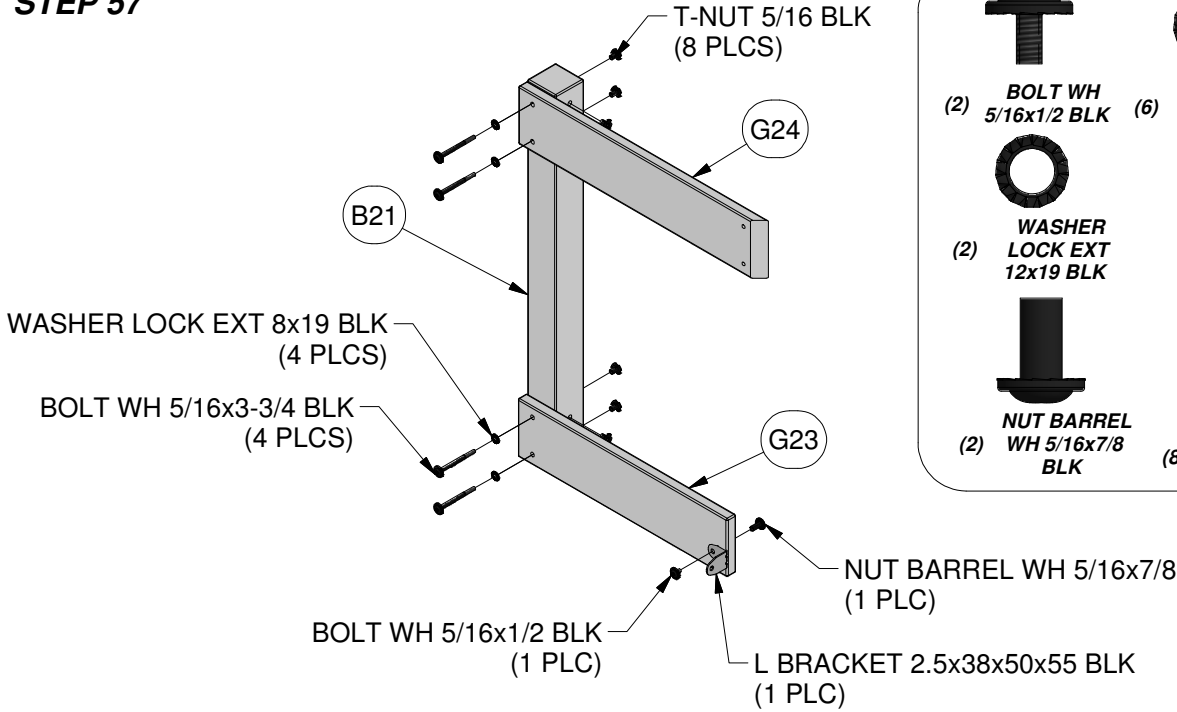


(1) **G24 - DECK BOARD - W4L08709**  
1"x5 1/4"x25 3/8" (24x134x645)



(1) **- L BRACKET 2.5x38x50x55 BLK - A4M00615**

### STEP 57




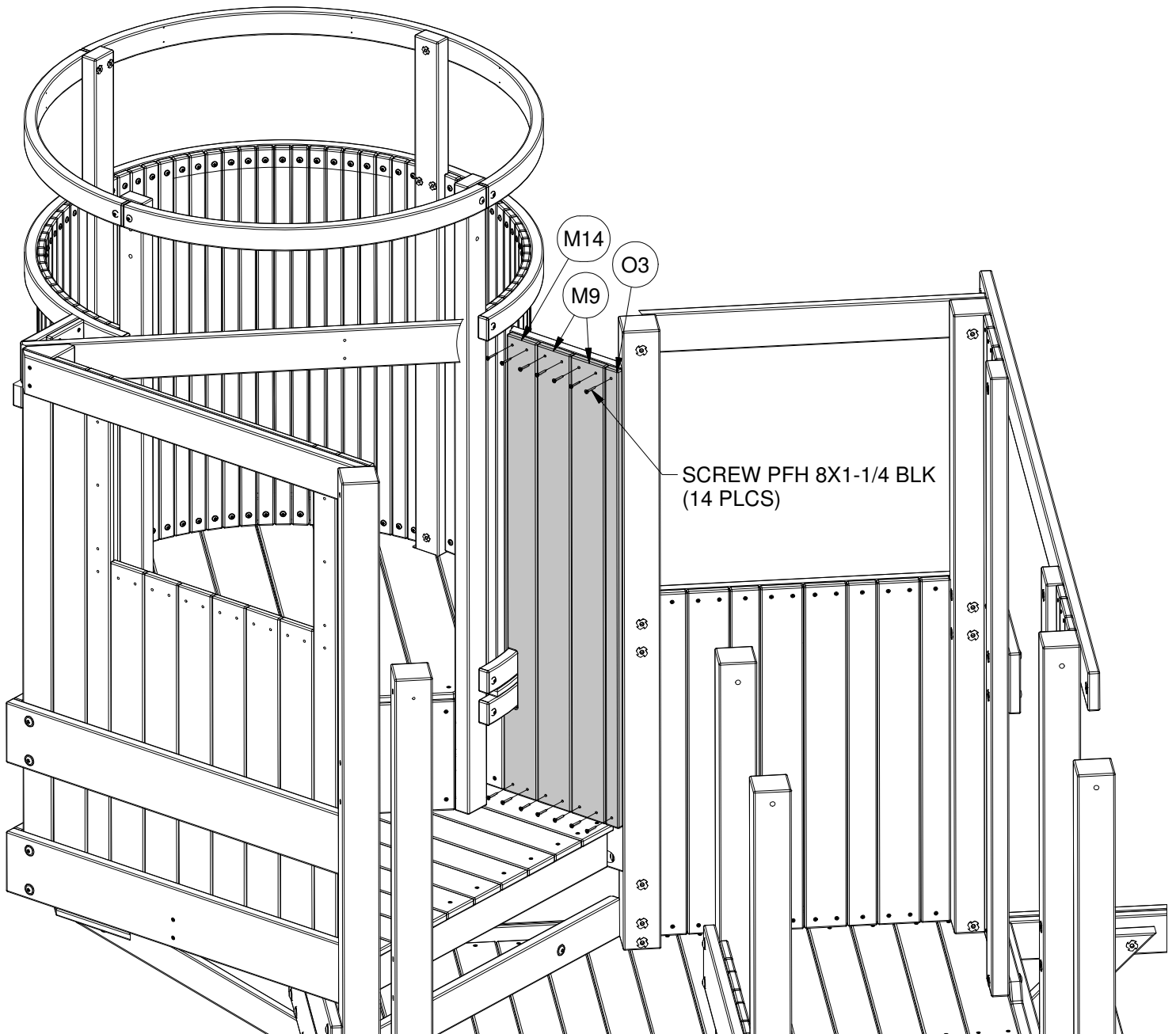
(2) **M9 - WALL PICKET - W4L08511**  
5/8"x3 3/8"x39 7/8" (16x86x1013)

(1) **M14 - WALL PICKET - W4L08517**  
5/8"x3 3/8"x39 7/8" (16x86x1013)

(1) **O3 - WALL PICKET - W4L08512**  
5/8"x1 3/8"x39 7/8" (16x34x1013)

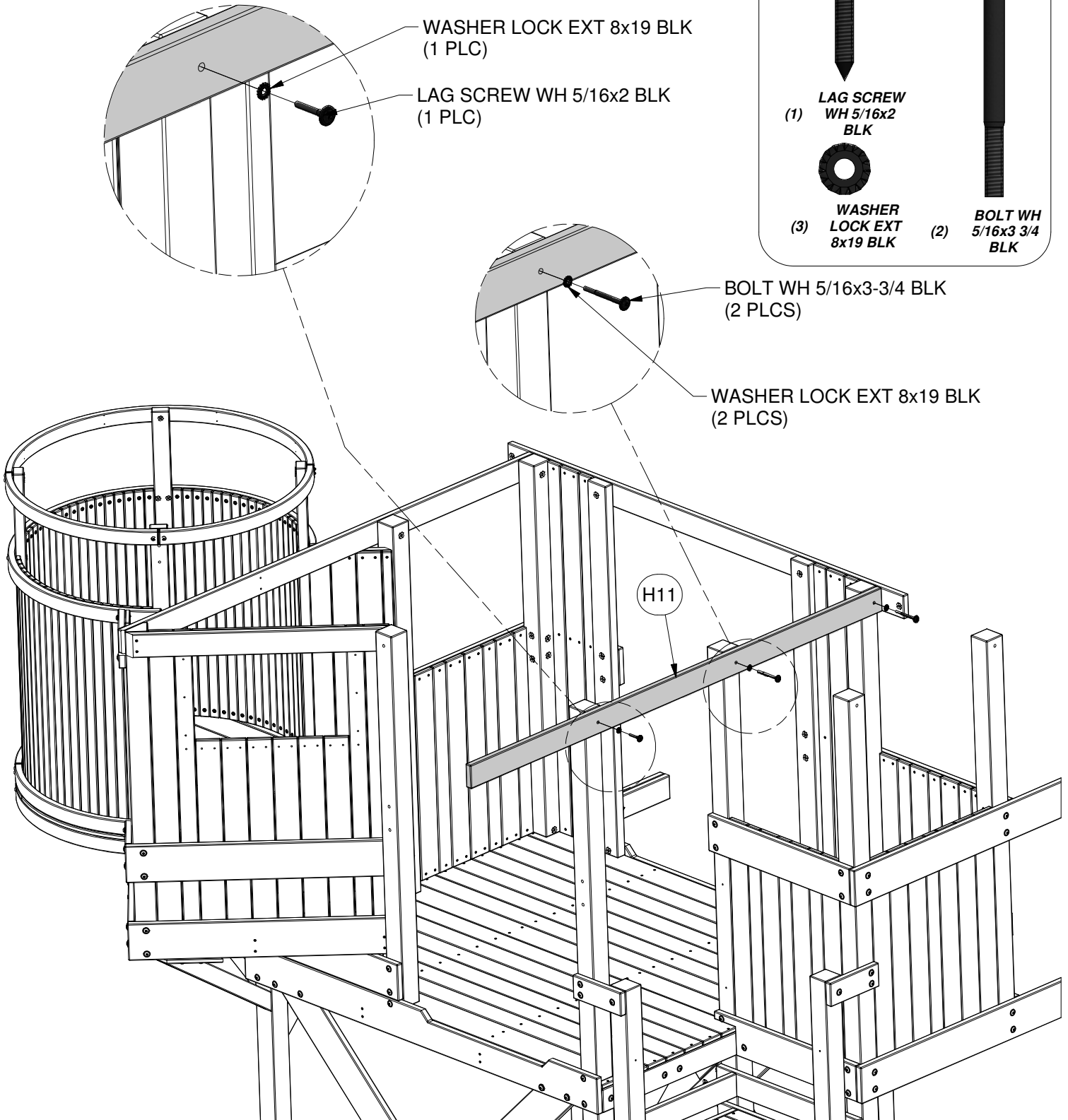
**STEP 58**

  
(14) **SCREW PFH**  
8x1-1/4 BLK



(1) **H11 - ROOF SUPPORT - W4L08518**  
**1"x3 3/8"x76 3/4" (24x86x1949)**

**STEP 59**

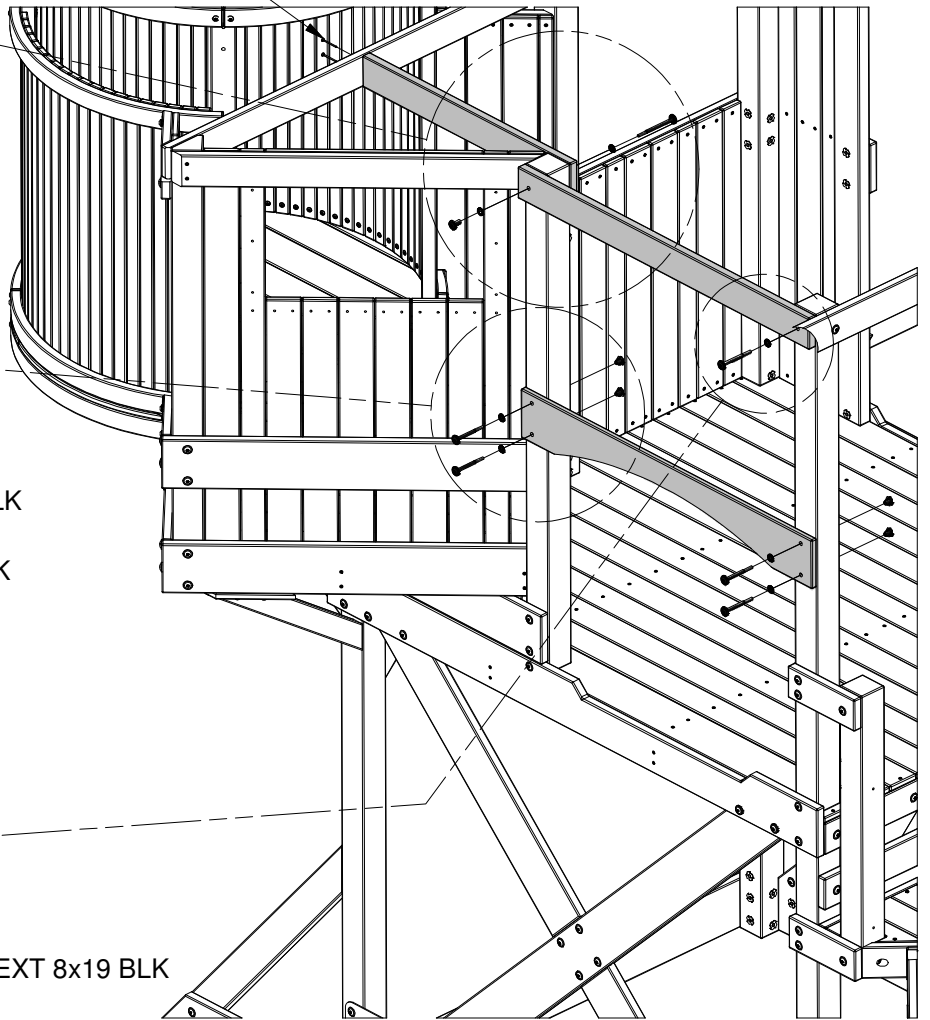
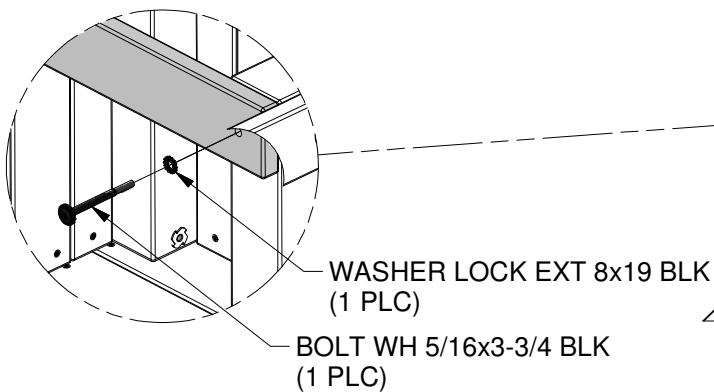
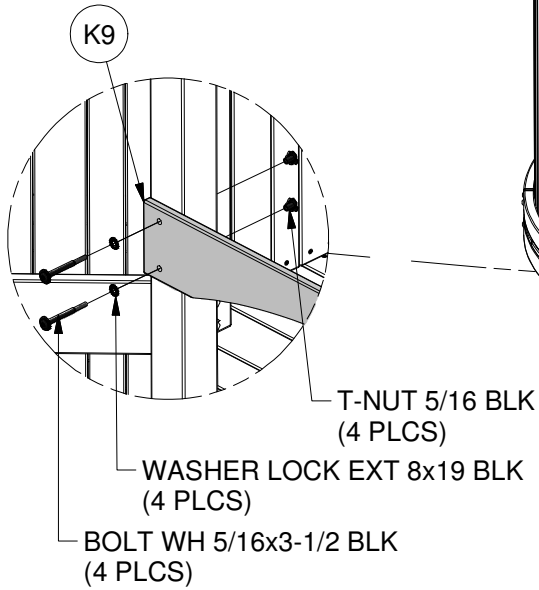
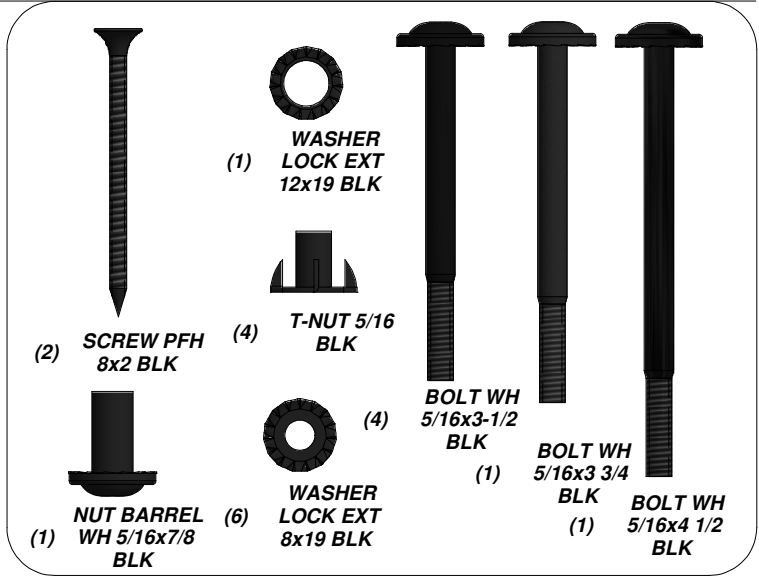
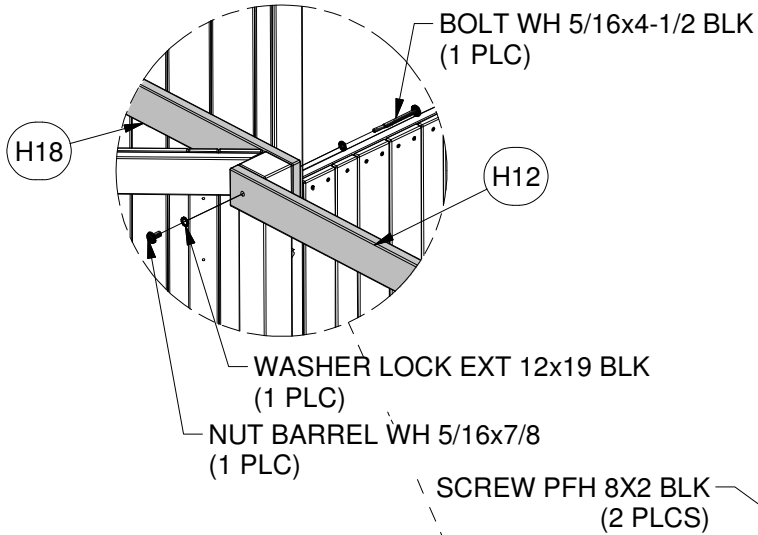


(1) **H12 - ROOF SUPPORT - W4L08519**  
 1"x3 3/8"x39 1/2" (24x86x1004)

(1) **H18 - ROOF SUPPORT - W4L08541**  
 1"x3 3/8"x28 1/4" (24x86x717)

(1) **K9 - SLIDE ARCH BOARD - W4L11444**  
 5/8"x5 1/4"x39 1/2" (16x134x1004)

**STEP 60**

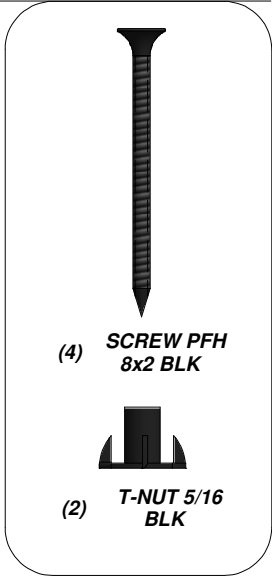
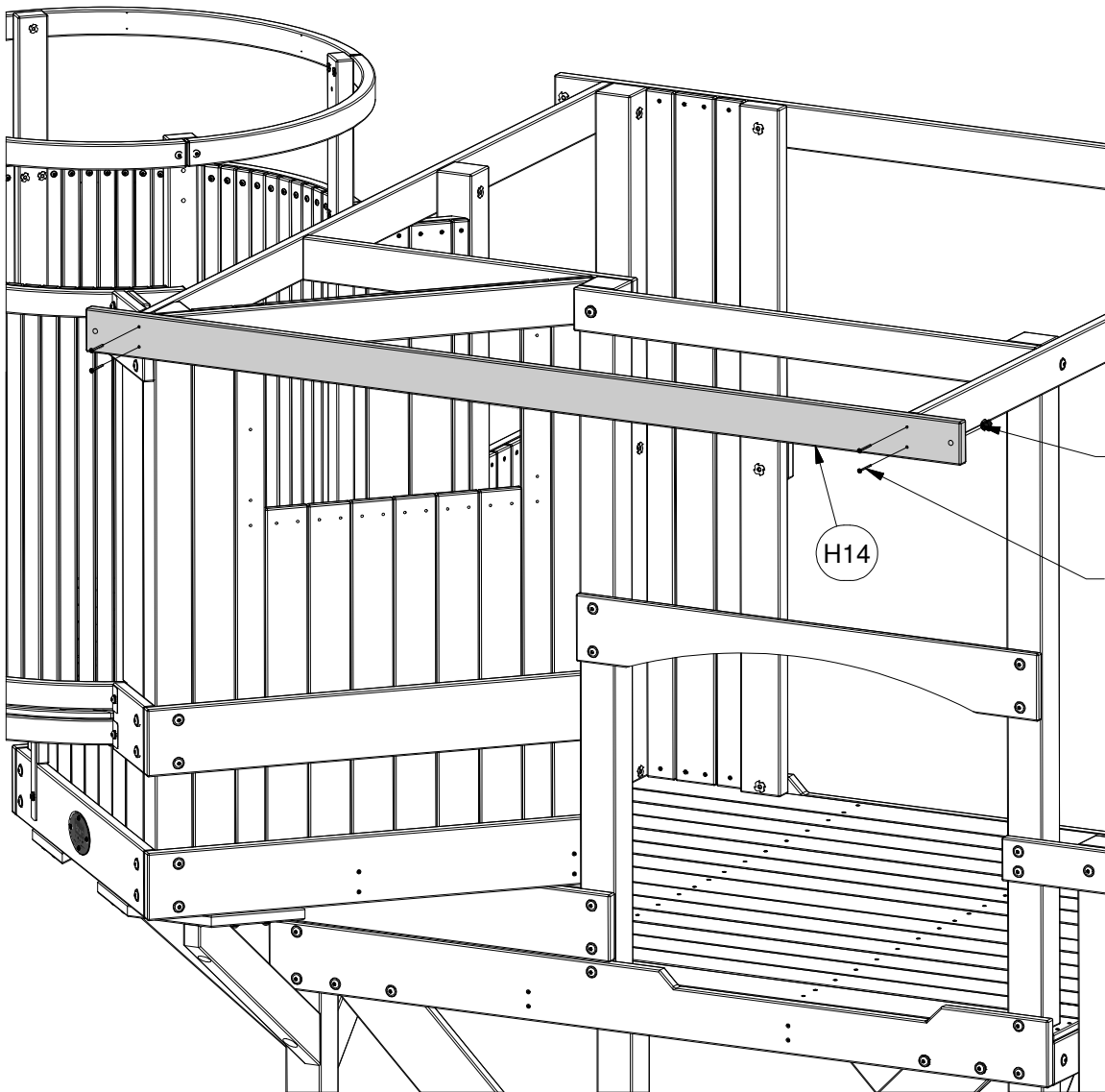






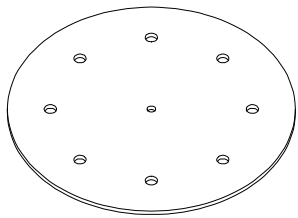
(1) **H14 - ROOF SUPPORT - W4L08521**  
1"x3 3/8"x74 3/4" (24x86x1900)

**STEP 61**  
**INSTALL T-NUTS BEFORE YOU BEGIN**  
**ASSEMBLY OF PARTS**



T-NUT 5/16 BLK  
(2 PLCS)

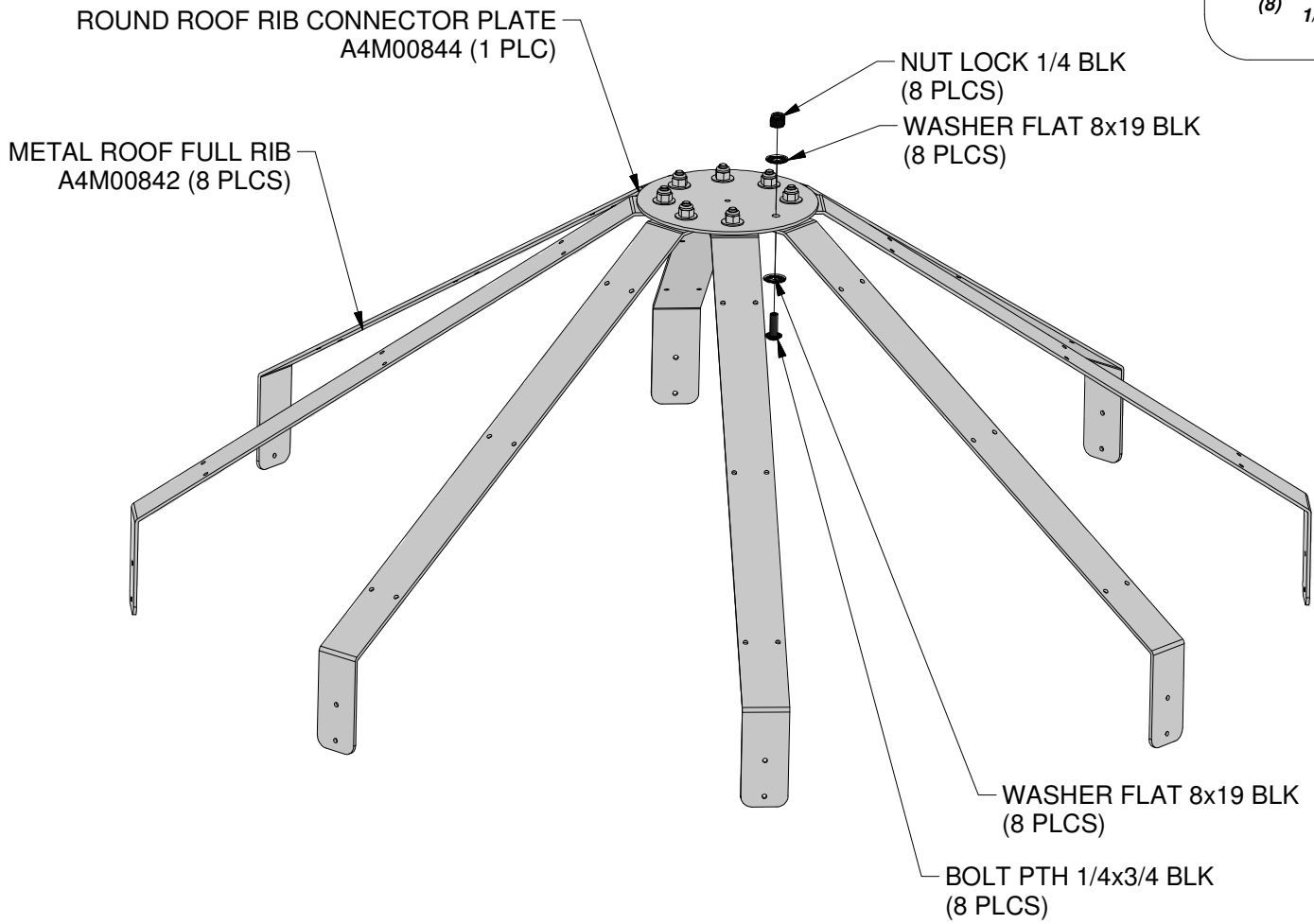
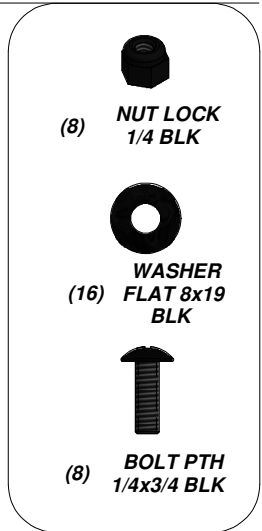
SCREW PFH 8x2 BLK  
(4 PLCS)



(8) - METAL ROOF FULL RIB - A4M00842

(1) - ROUND ROOF RIB CONNECTOR PLATE - A4M00844

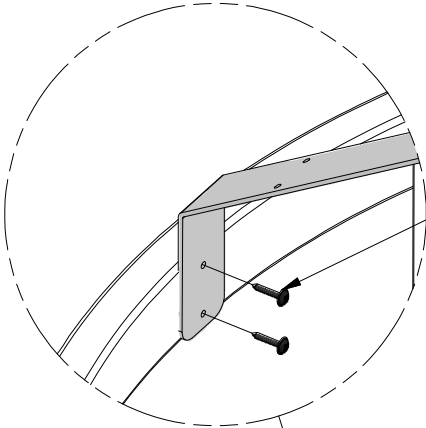
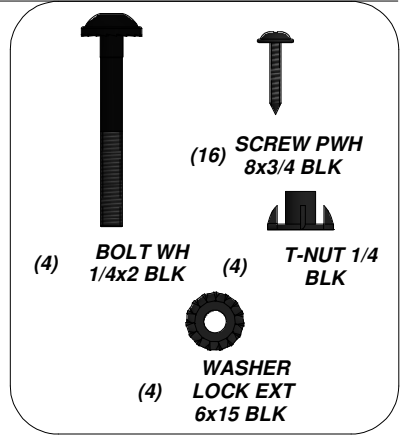
**STEP 62**



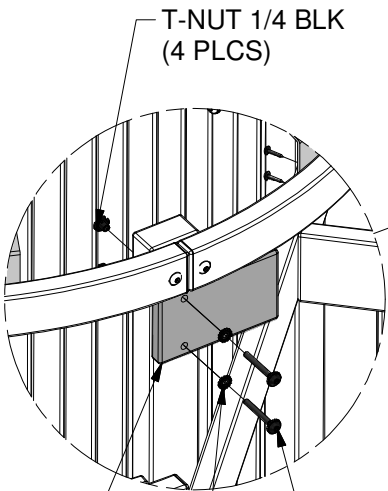


(2) **M38 - TURRET FILLER BOARD - W4L11445**  
 5/8"x3 3/8"x5 3/4" (16x86x146)

**STEP 63**



SCREW PWH 8x3/4 BLK  
(16 PLCS)

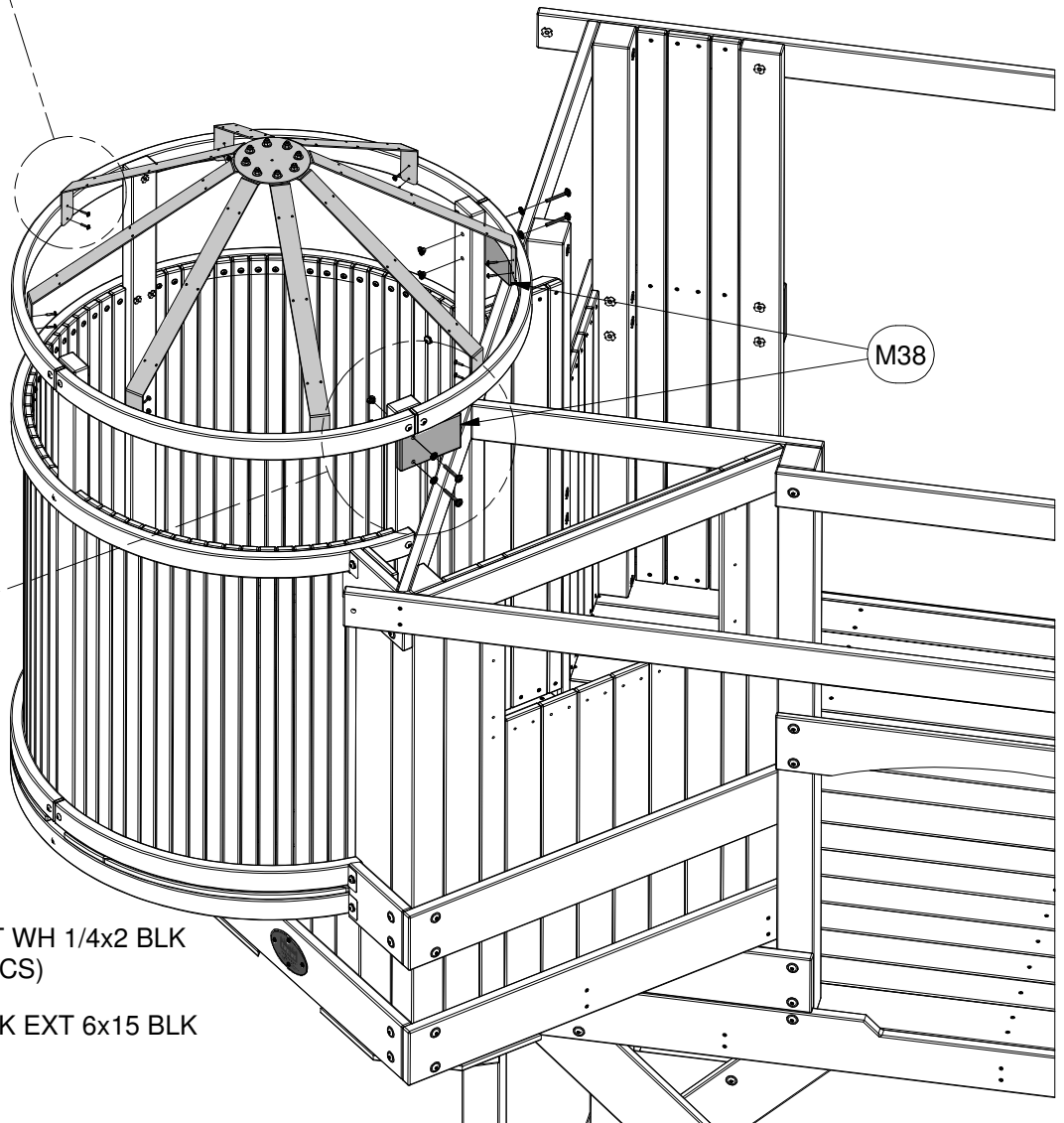


T-NUT 1/4 BLK  
(4 PLCS)

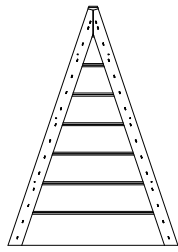
M38

BOLT WH 1/4x2 BLK  
(4 PLCS)

WASHER LOCK EXT 6x15 BLK  
(4 PLCS)

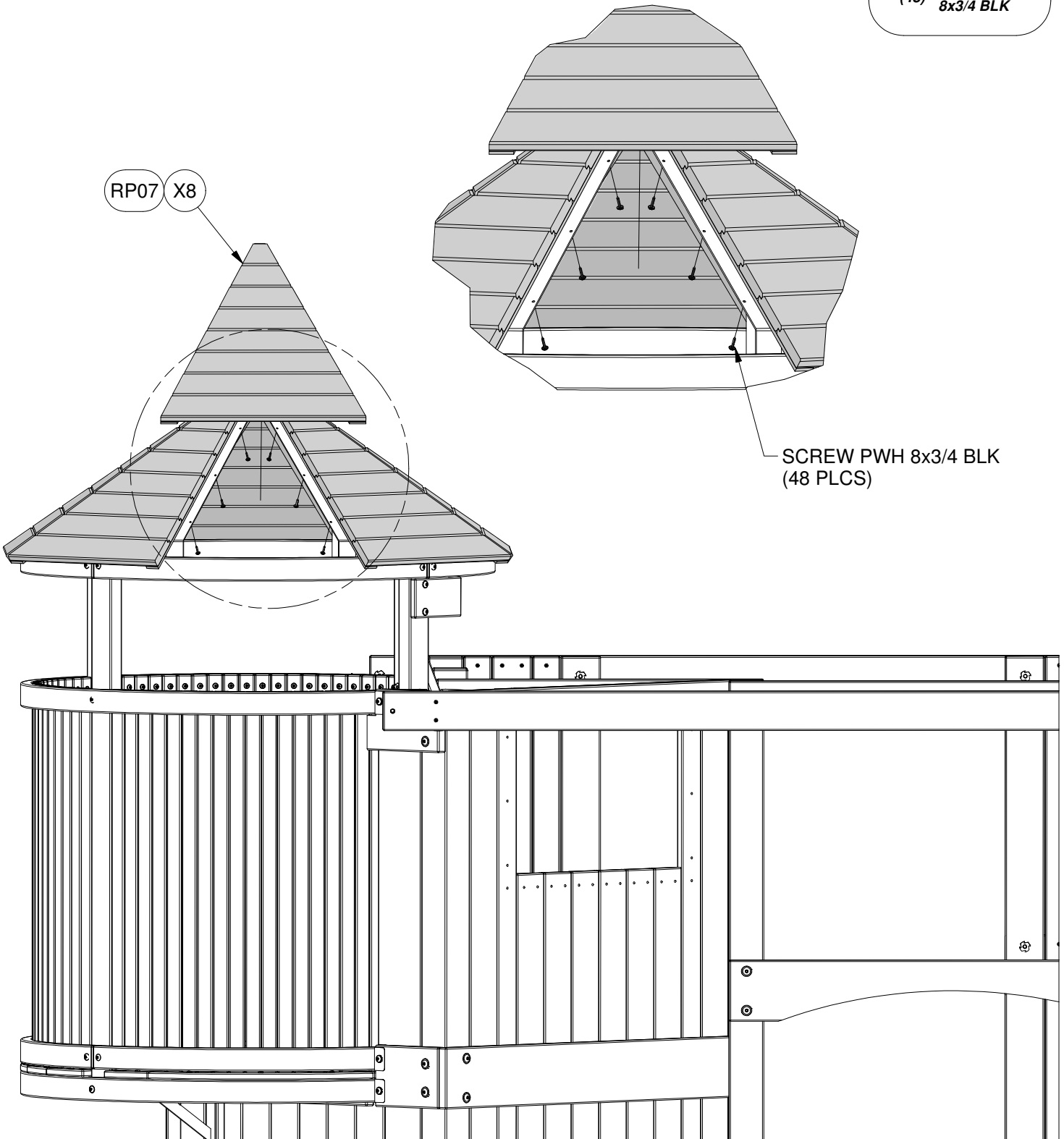


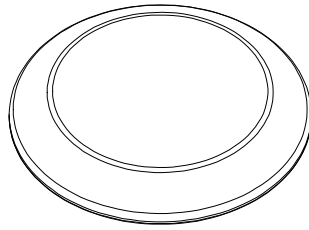
M38



(8) **RP07 - ROOF PANEL - W2A02189**  
13/16"x17 11/16"x24 7/8" (21x450x632)

**STEP 64**

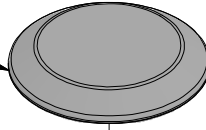




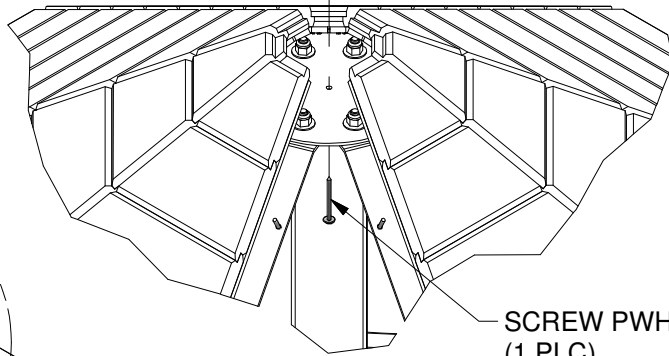
(1) - ROUND ROOF PLASTIC CAP - A6P00239

**STEP 65**

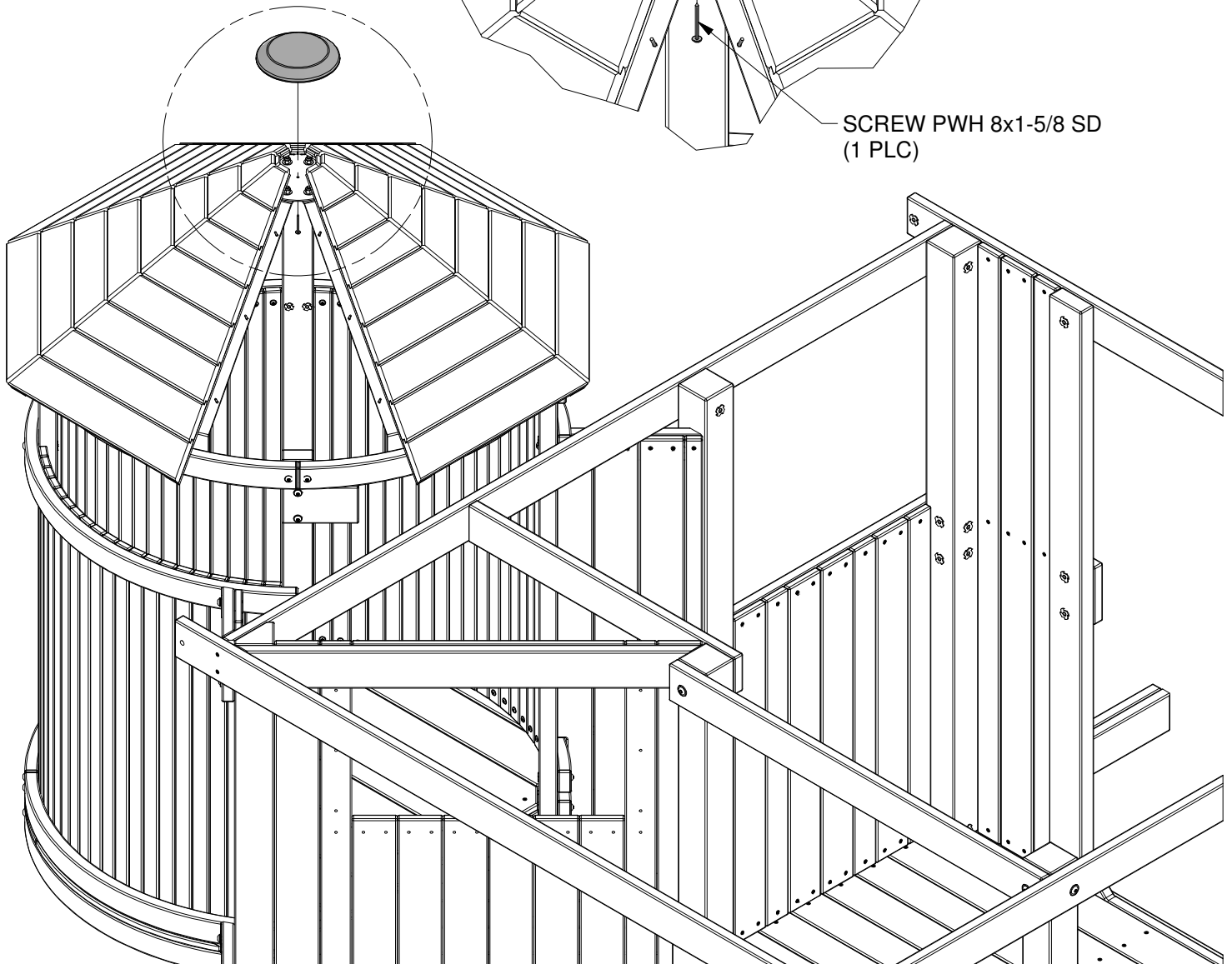
ROUND ROOF PLASTIC CAP  
(1 PLC)



(1) SCREW PWH  
8x1-5/8 SD



SCREW PWH 8x1-5/8 SD  
(1 PLC)



(2) M16 - WALL BOARD - W4L08530  
5/8"x3 3/8"x34 1/8" (16x86x867)

(2) M17 - WALL BOARD - W4L08531  
5/8"x3 3/8"x22 3/8" (16x86x567)

(2) M18 - WALL BOARD - W4L08532  
5/8"x3"x10 1/2" (16x77x268)

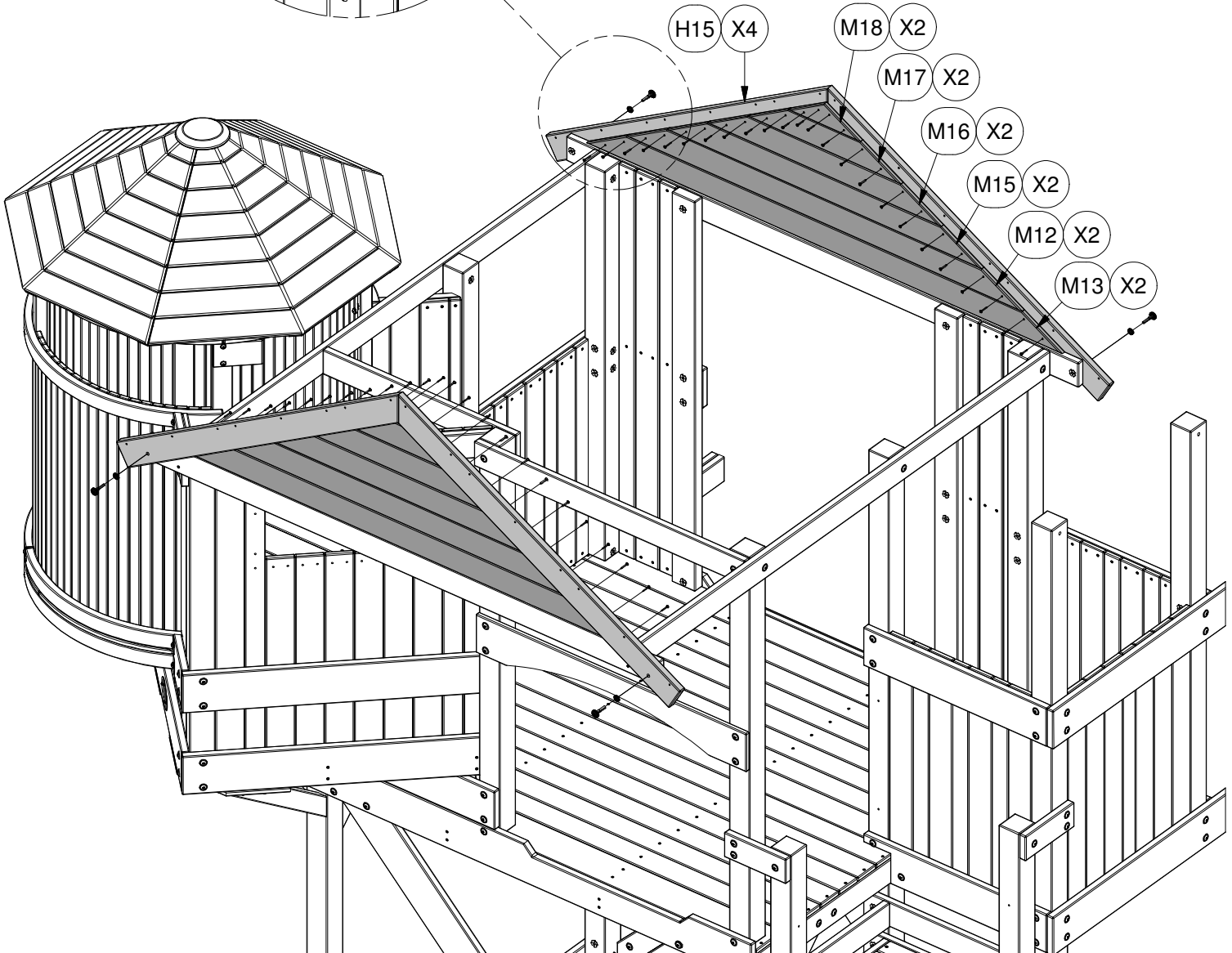
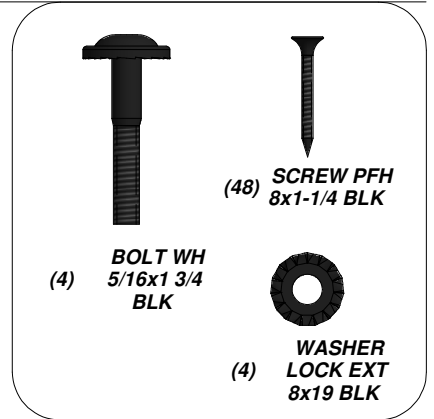
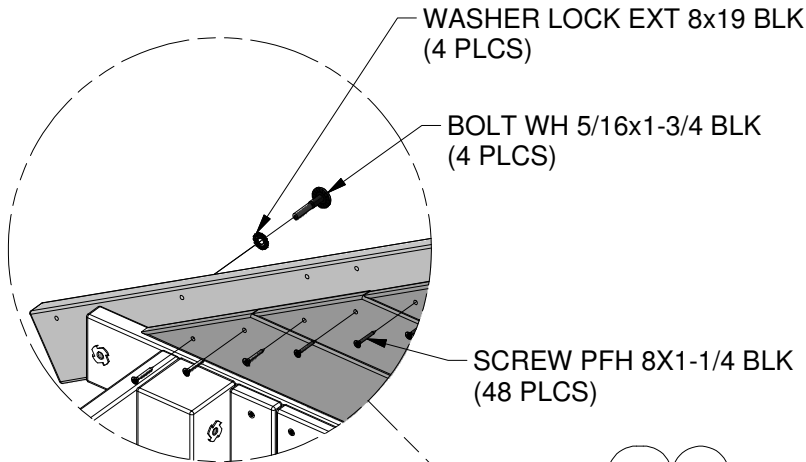
(2) M12 - WALL BOARD - W4L08528  
5/8"x3 3/8"x57 3/4" (16x86x1466)

(4) H15 - RAFTER - W4L08526  
1"x3 3/8"x47 5/8" (24x86x1209)

(2) M13 - WALL BOARD - W4L08525  
5/8"x3 3/8"x69 1/2" (16x86x1766)

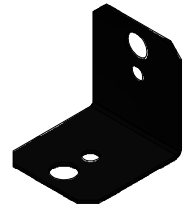
(2) M15 - WALL BOARD - W4L08529  
5/8"x3 3/8"x45 7/8" (16x86x1166)

### STEP 66





(1) **N6 - RAFTER CLEAT - W4L11446**  
 5/8"x2 3/8"x3 1/8" (16x60x80)

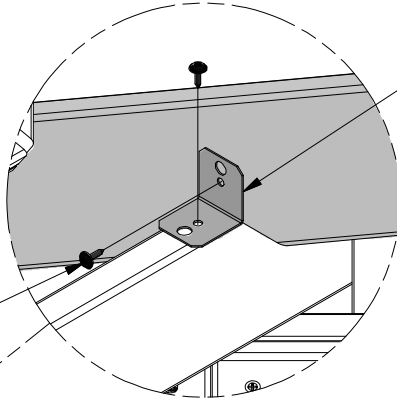
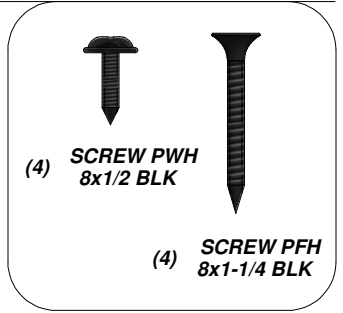


(2) - **90° L-BRACKET - BLK - A4M00555**



(2) **H16 - RAFTER - W4L08527**  
 1"x3 3/8"x47 5/8" (24x86x1209)

**STEP 67**

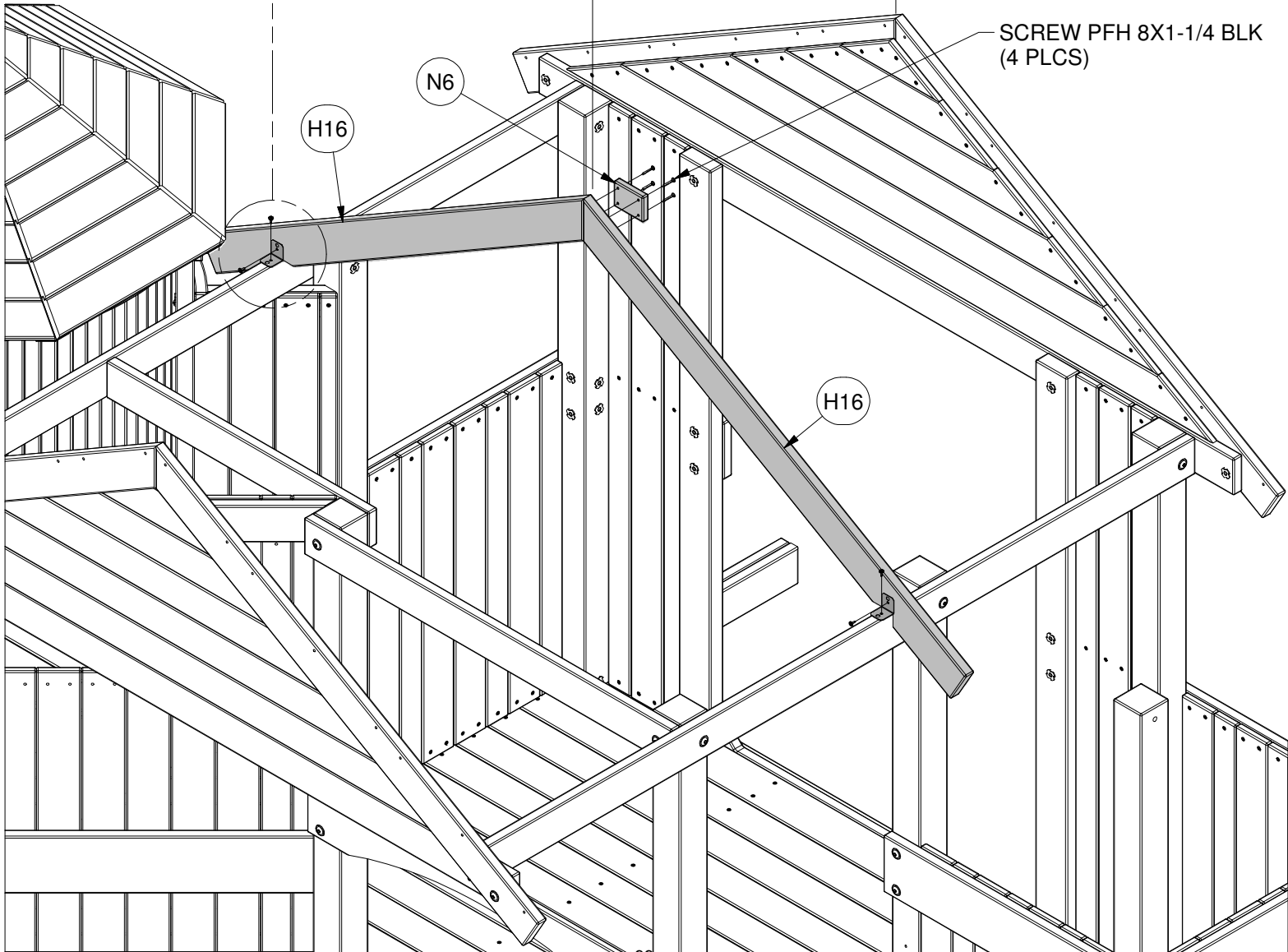


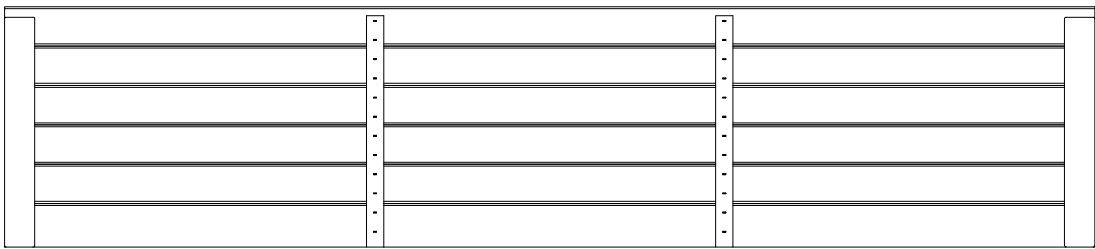
90° L-BRACKET - BLK  
 (2 PLCS)

SCREW PWH 8x1/2 BLK  
 (4 PLCS)

32 5/8 in  
 [828 mm]

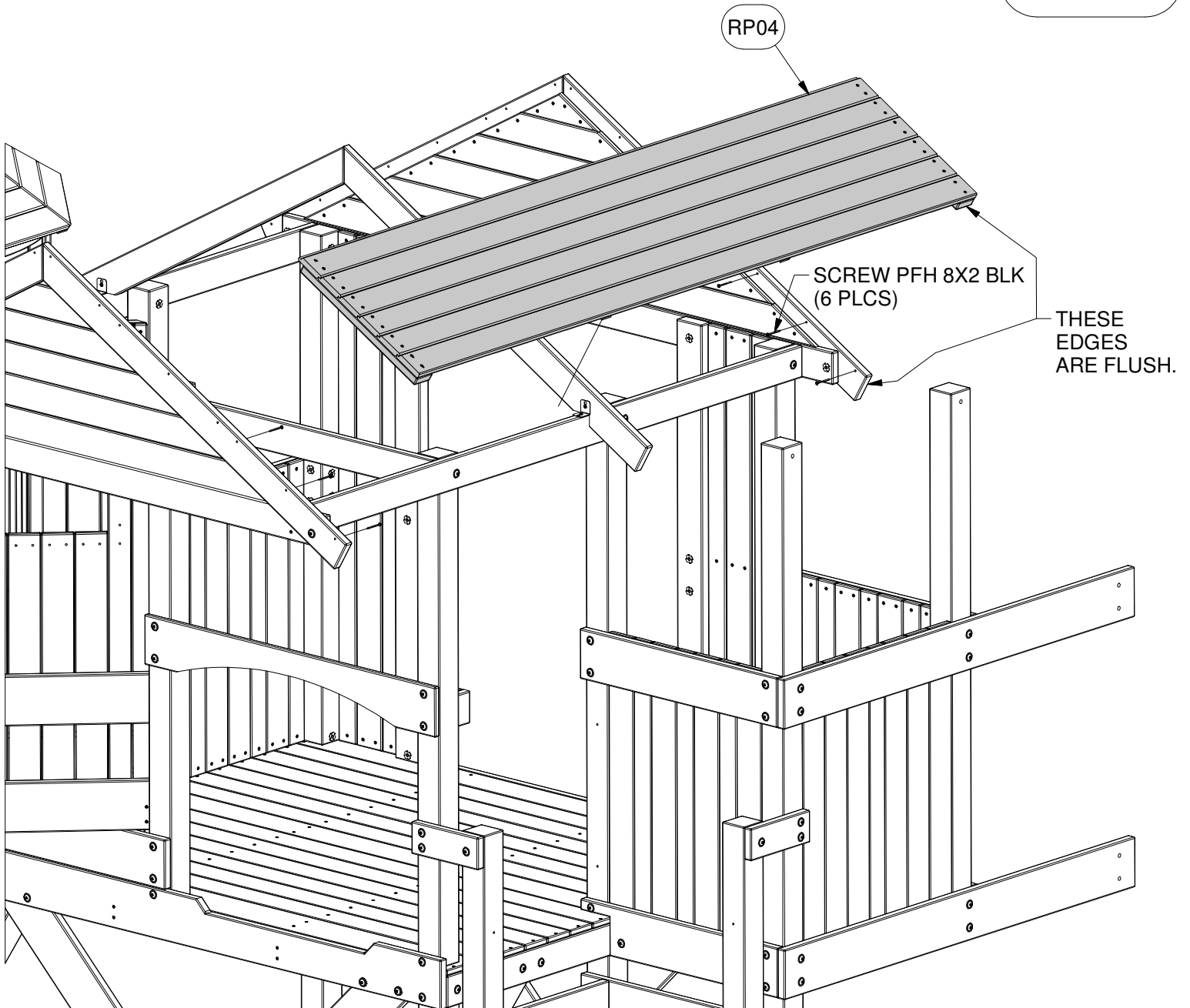
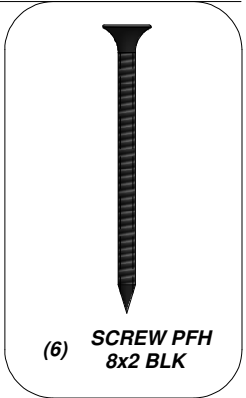
SCREW PFH 8X1-1/4 BLK  
 (4 PLCS)



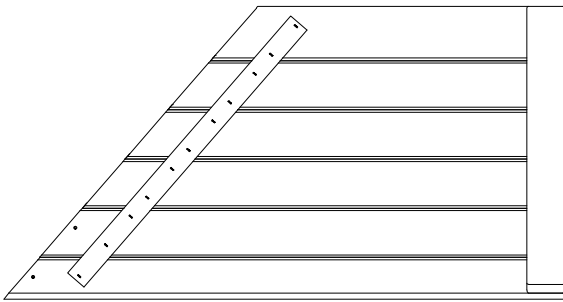


**RP04 - ROOF PANEL - W2A02186**  
1 9/16" x 18 3/4" x 85 3/16" (40x476x2166)

**STEP 68**





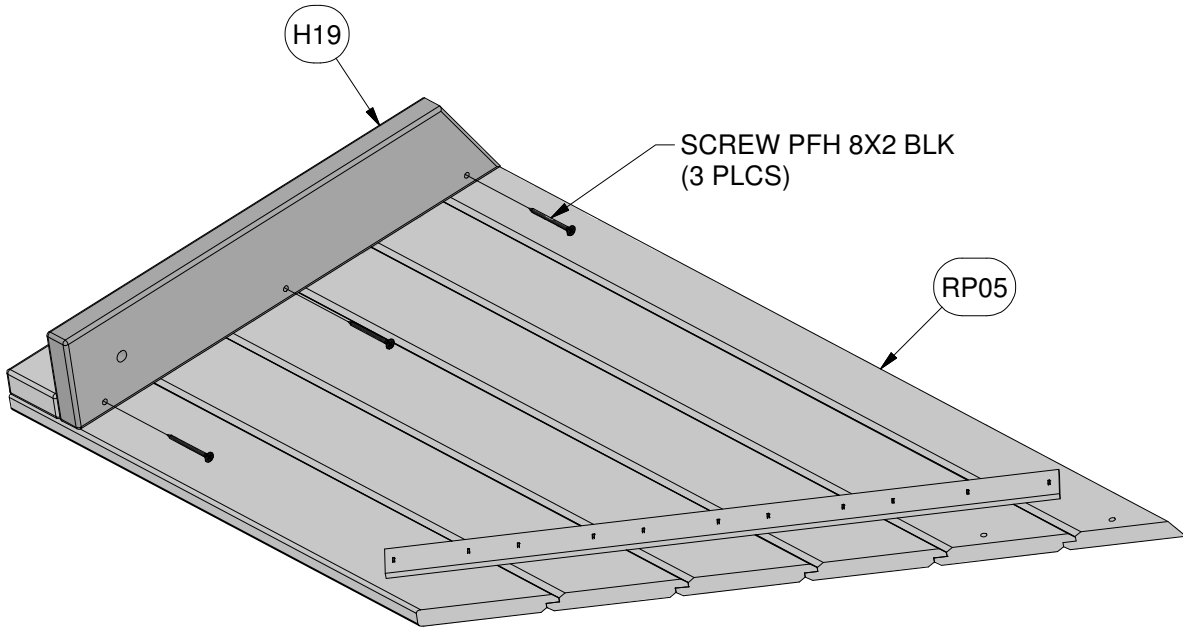
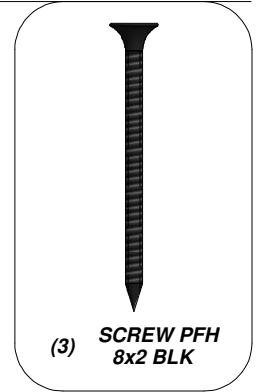


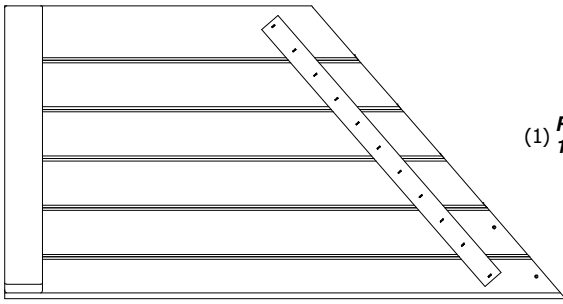
(1) **RP05 - SMALL ROOF PANEL - W2A02187**  
1 9/16"x18 1/4"x35" (40x464x891)



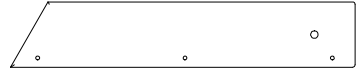
(1) **H19 - RAFTER - W4L08551**  
1"x3 3/8"x18" (24x86x456)

## STEP 69



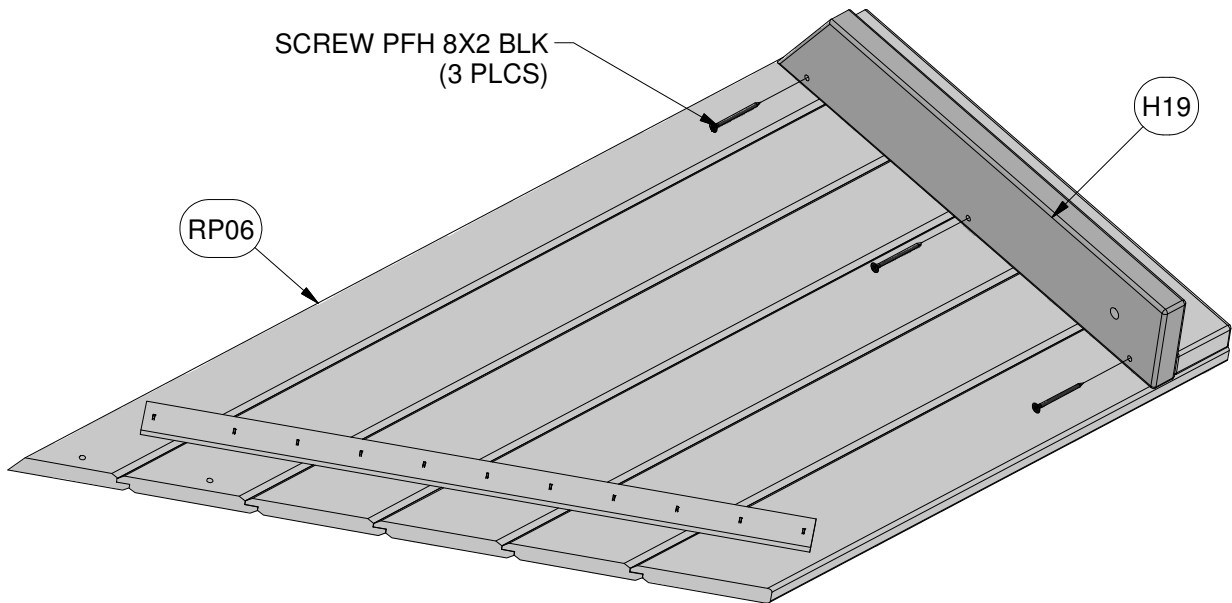
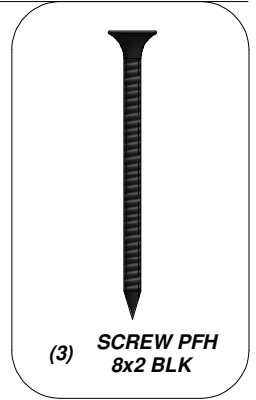


(1) **RP06 - SMALL ROOF PANEL - W2A02188**  
1 9/16"x18 1/4"x35" (40x464x891)

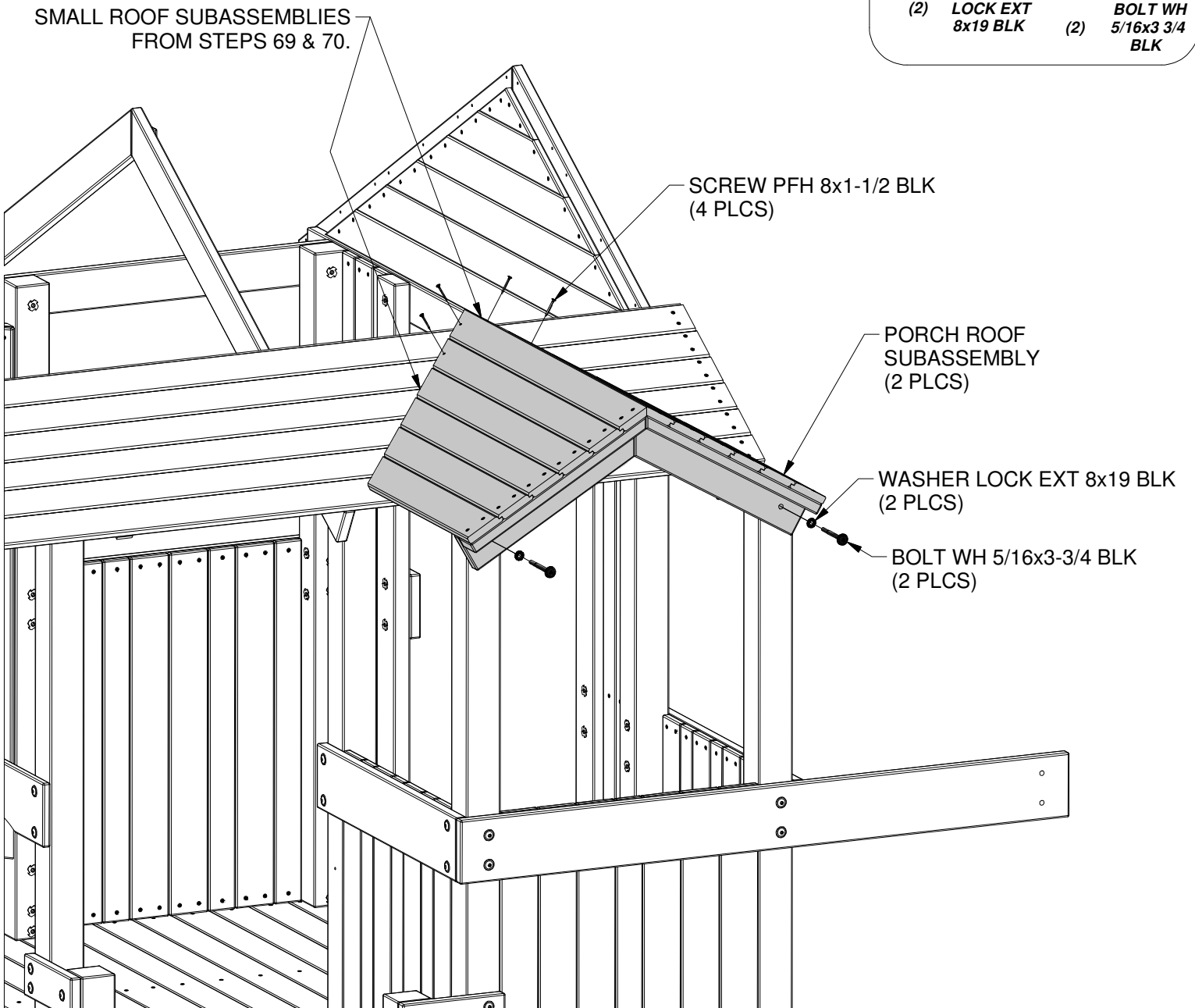
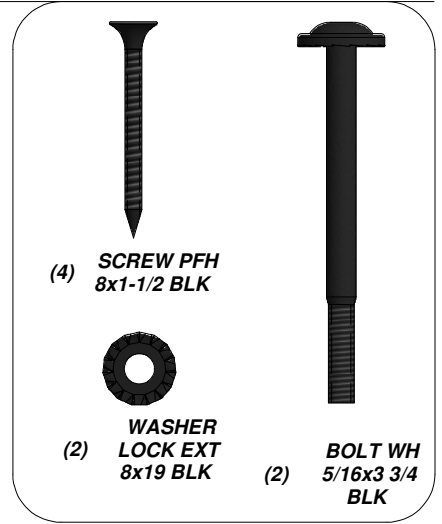


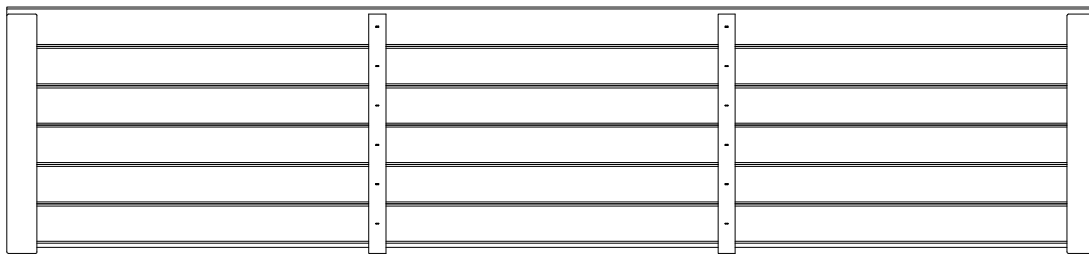
(1) **H19 - RAFTER - W4L08551**  
1"x3 3/8"x18" (24x86x456)

## STEP 70



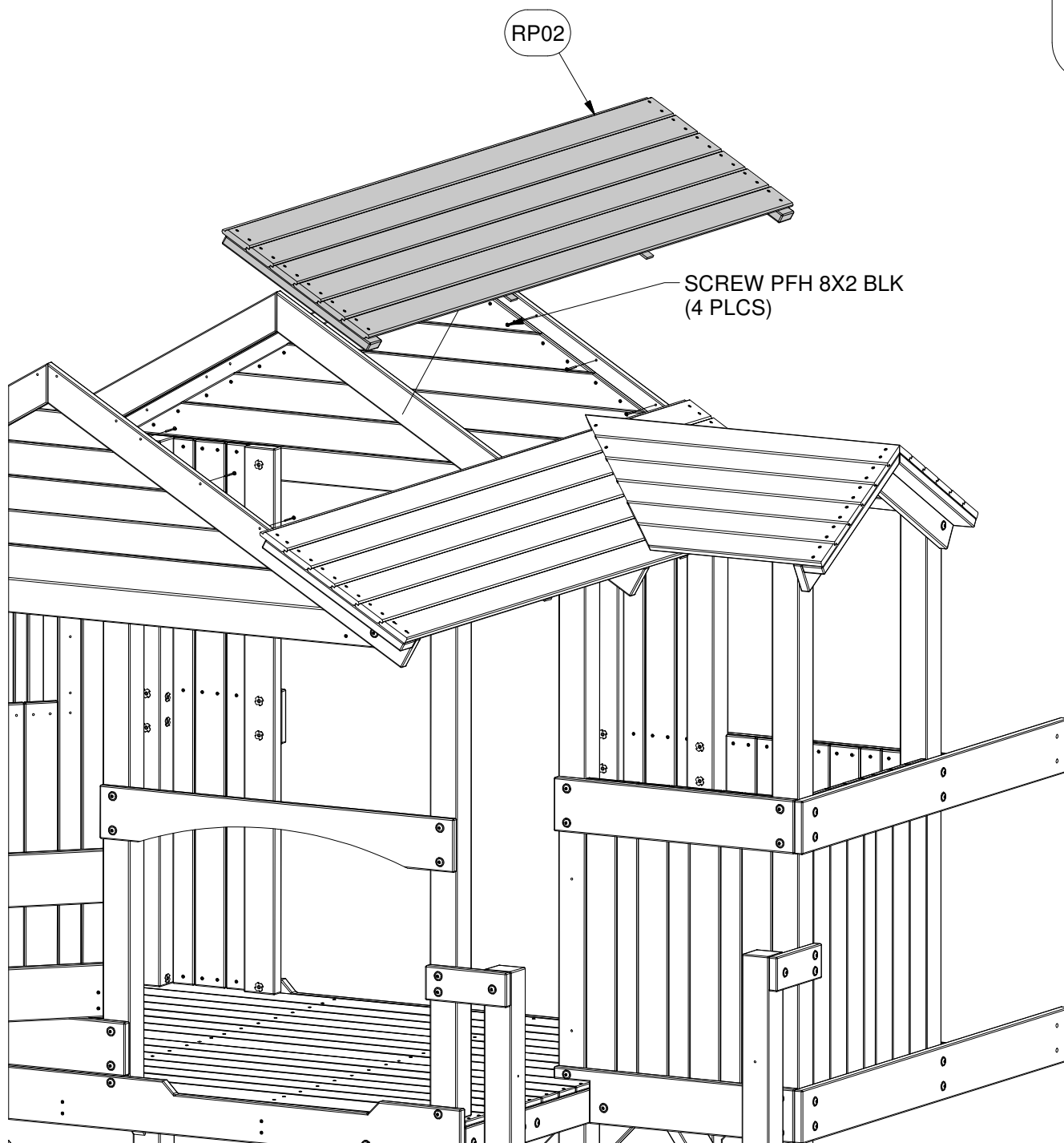
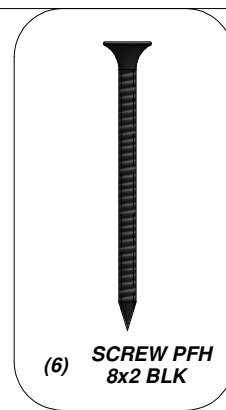
**STEP 71**

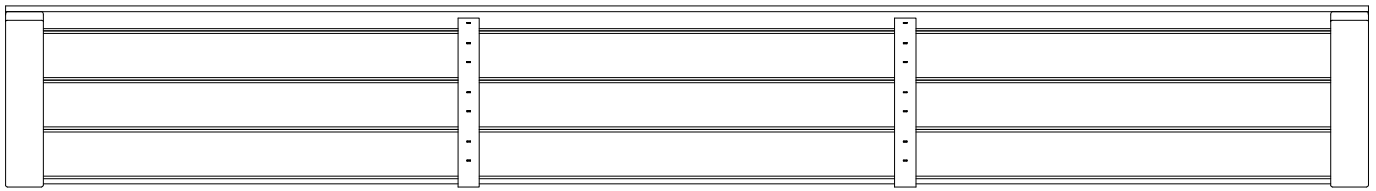




(1) **RP02 - ROOF PANEL - W2A02184**  
1 9/16"x19 1/4"x85 3/16" (40x488x2166)

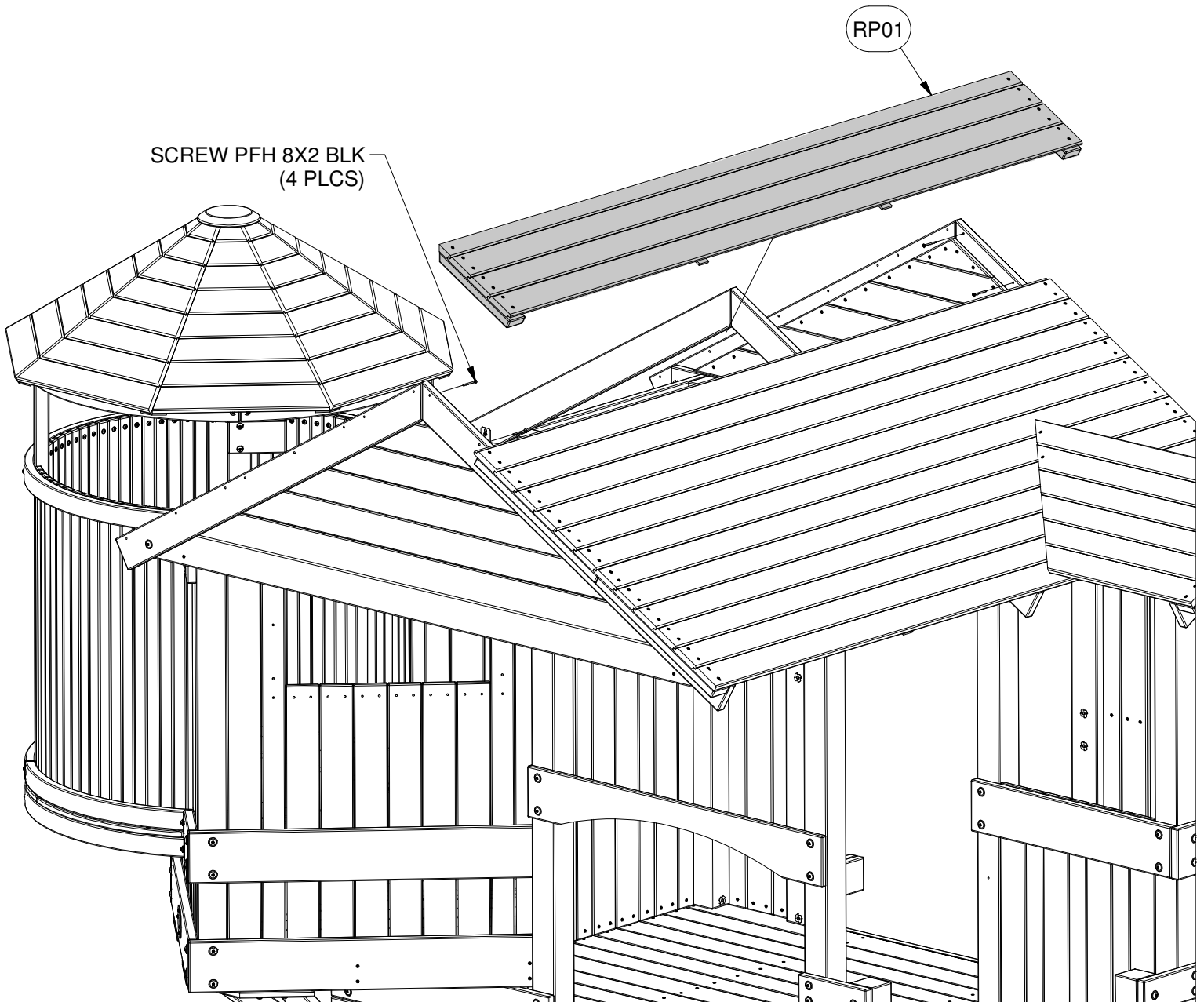
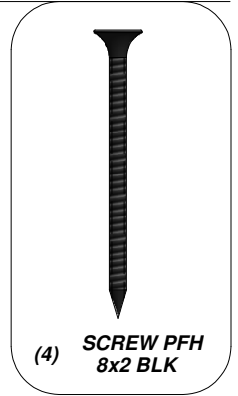
**STEP 72**

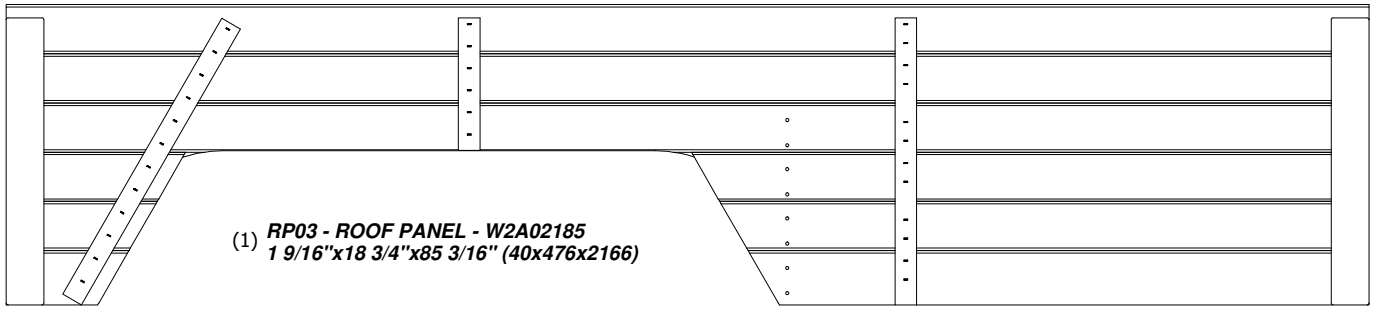




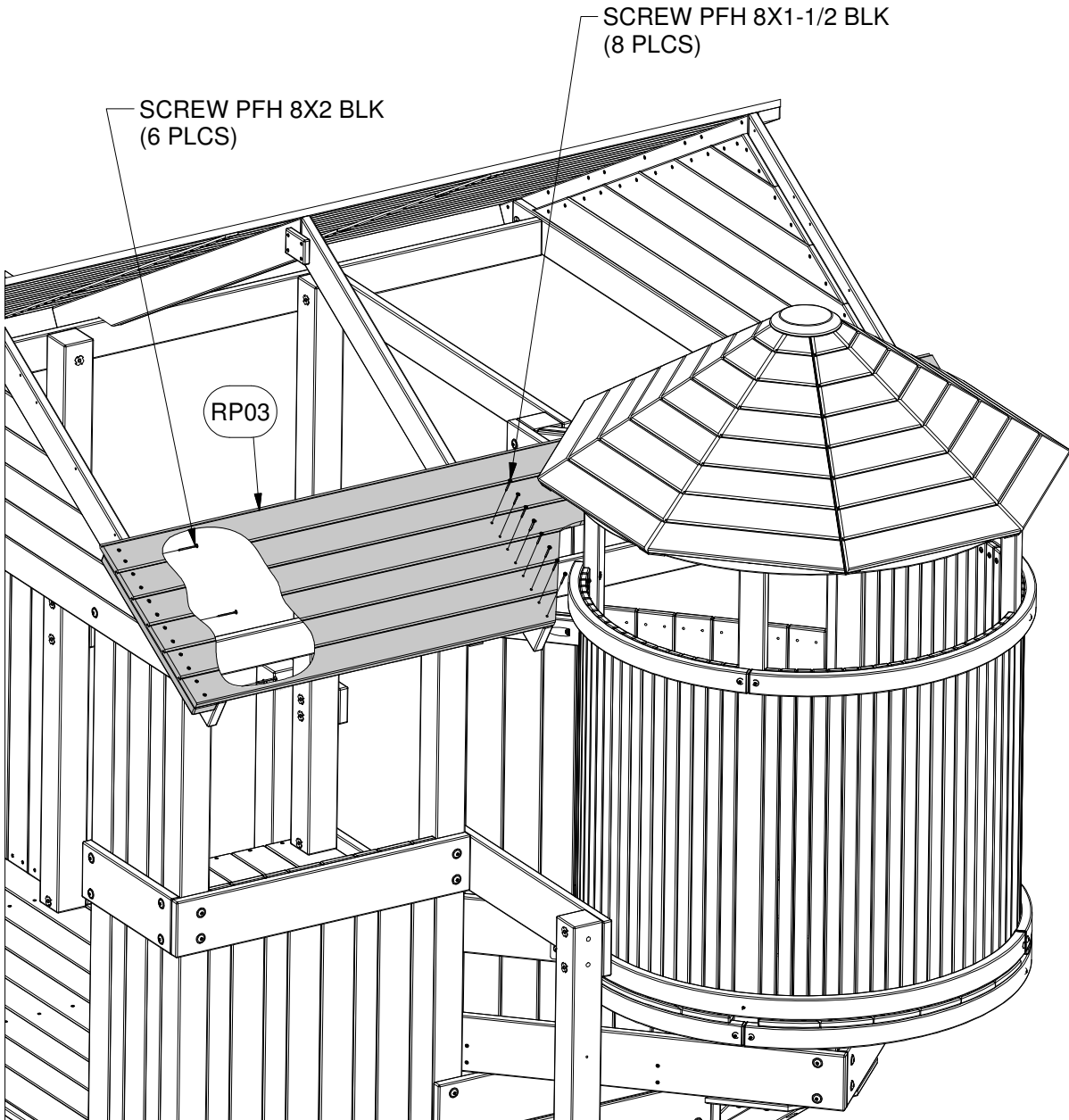
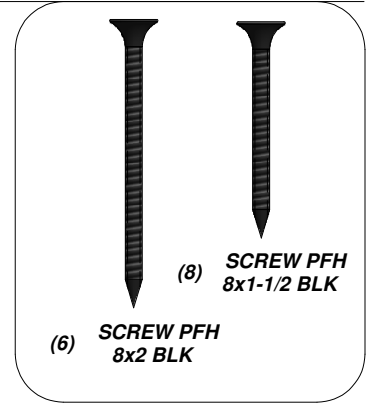
(1) **RP01 - ROOF PANEL - W2A02182**  
1 9/16"x11 5/16"x85 3/16" (40x287x2166)

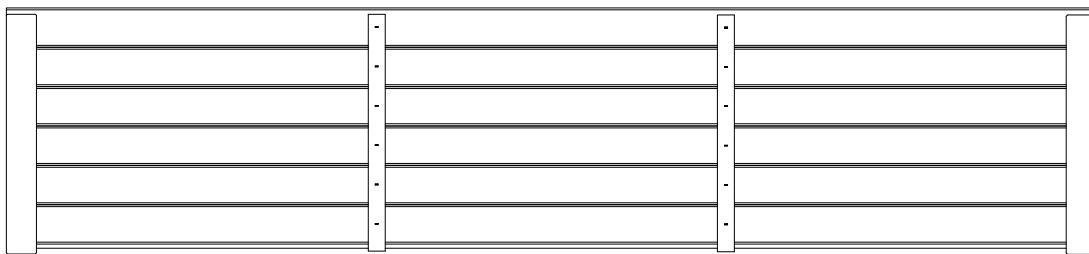
**STEP 73**





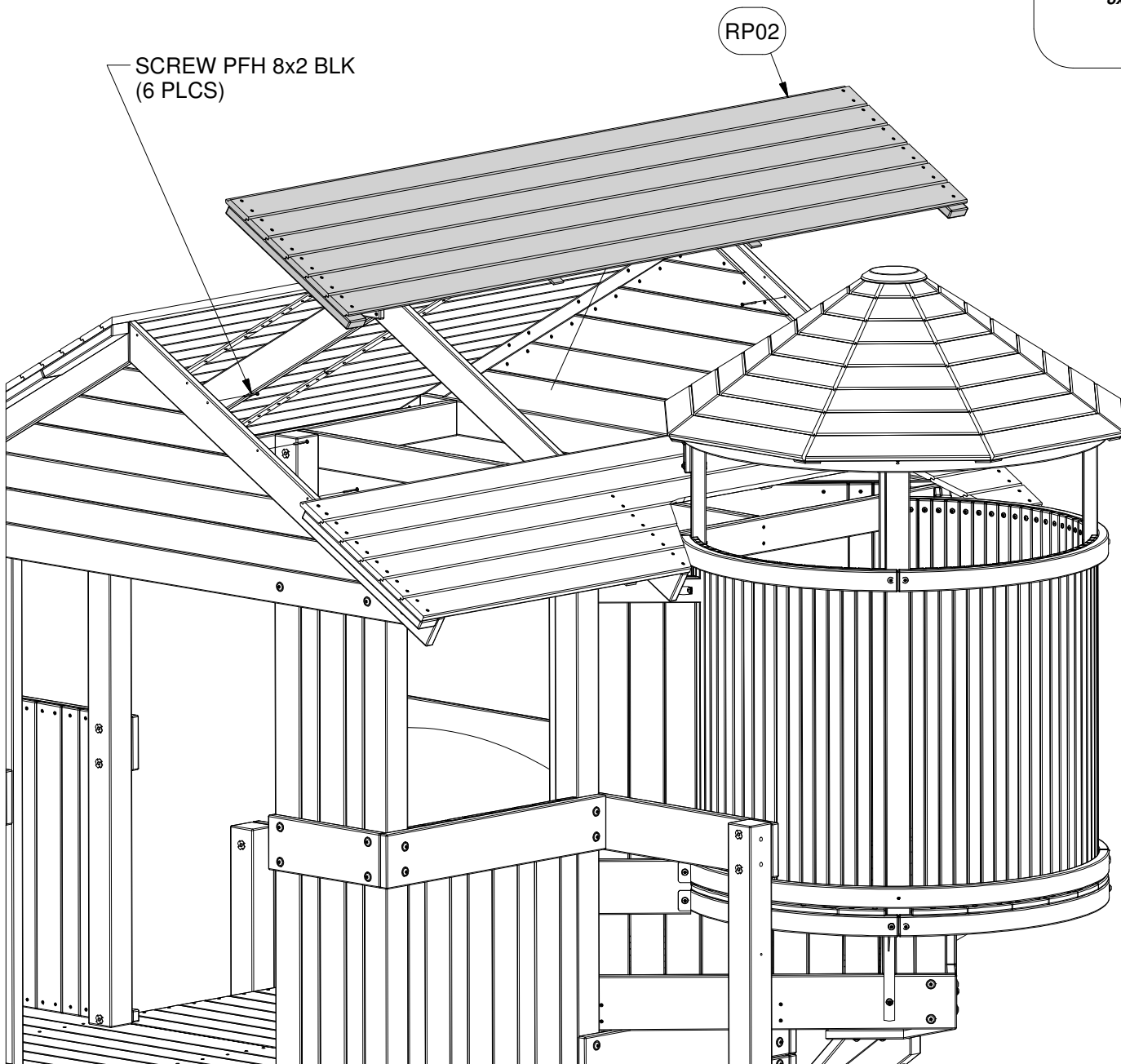
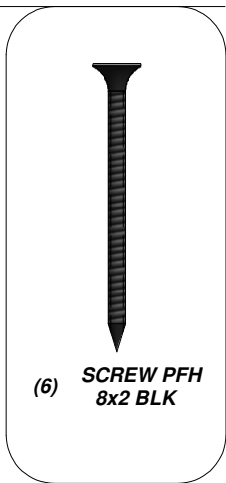
**STEP 74**

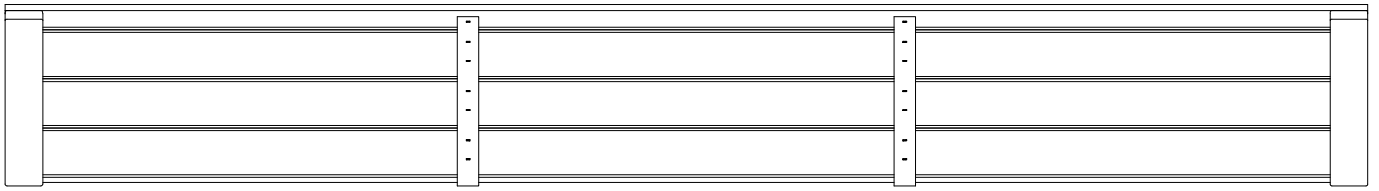




(1) **RP02 - ROOF PANEL - W2A02184**  
**1 9/16"x19 1/4"x85 3/16" (40x488x2166)**

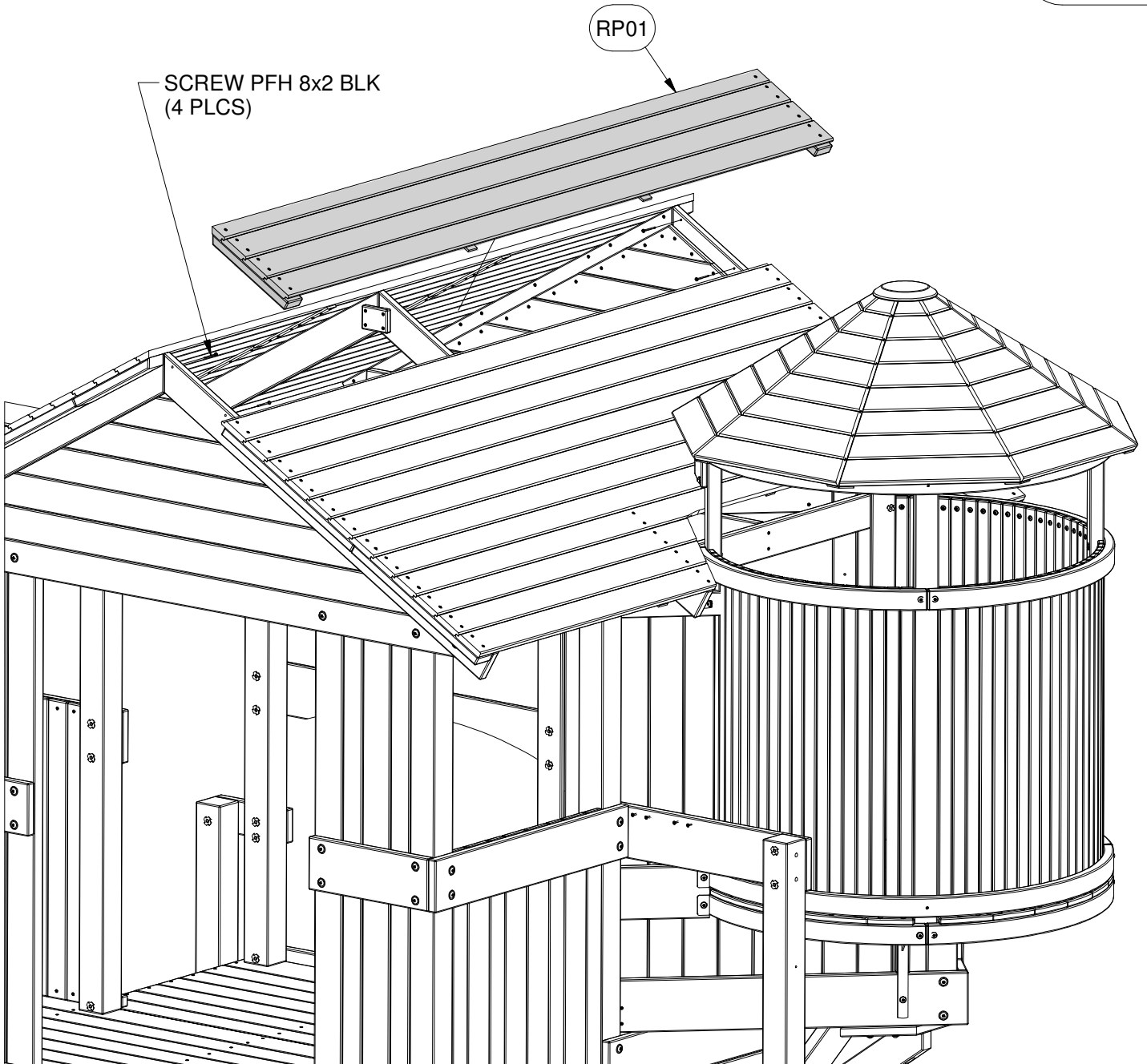
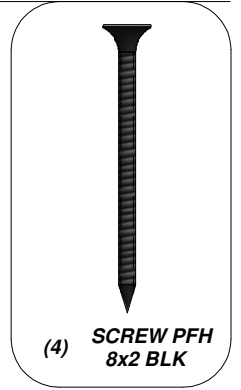
**STEP 75**



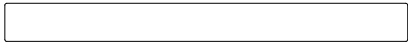


(1) **RP01 - ROOF PANEL - W2A02182**  
1 9/16"x11 5/16"x85 3/16" (40x287x2166)

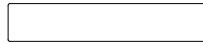
**STEP 76**





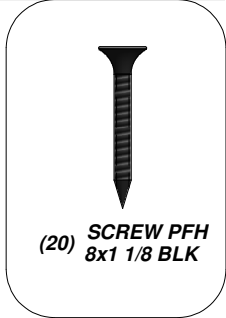


(1) **N2 - WINDOW BOTTOM - W4L08538**  
 5/8"x2 3/8"x25 1/4" (16x60x640)

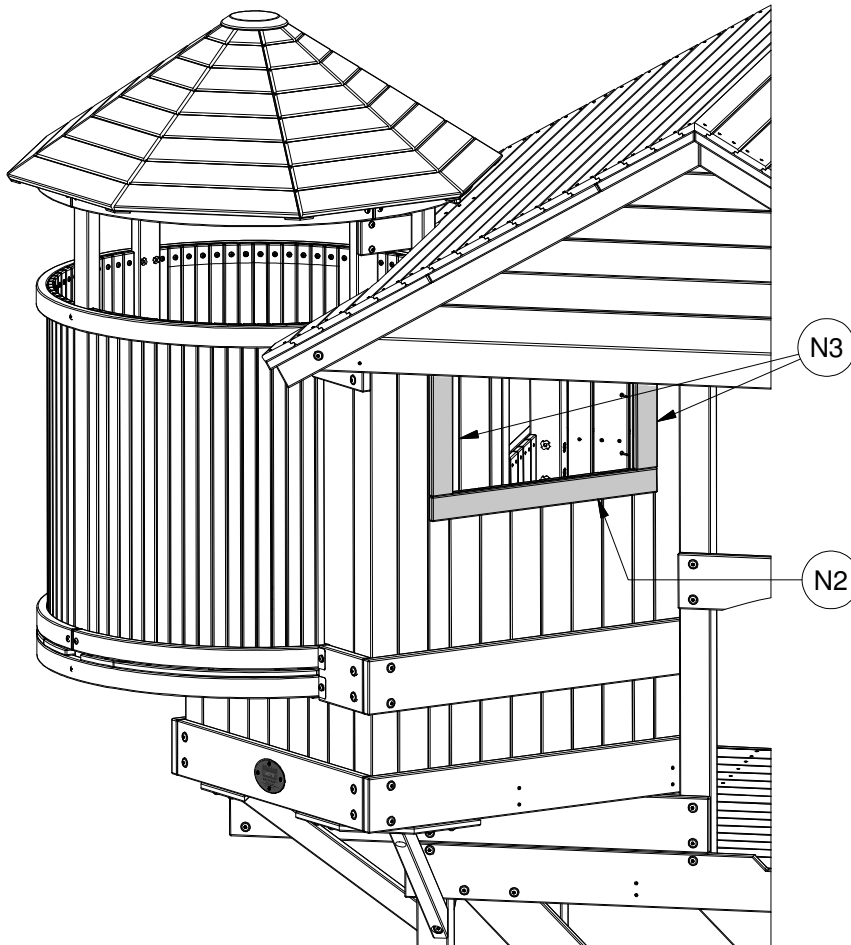
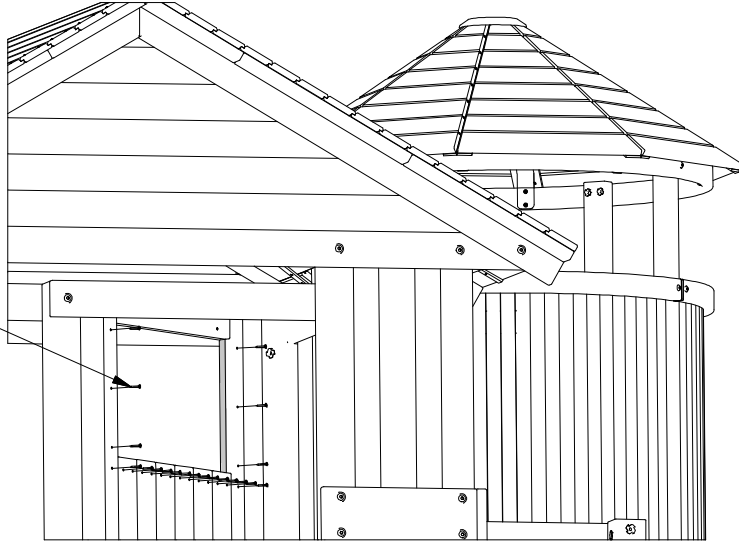


(2) **N3 - WINDOW SIDE - W4L08539**  
 5/8"x2 3/8"x12 5/8" (16x60x321)

**STEP 77**



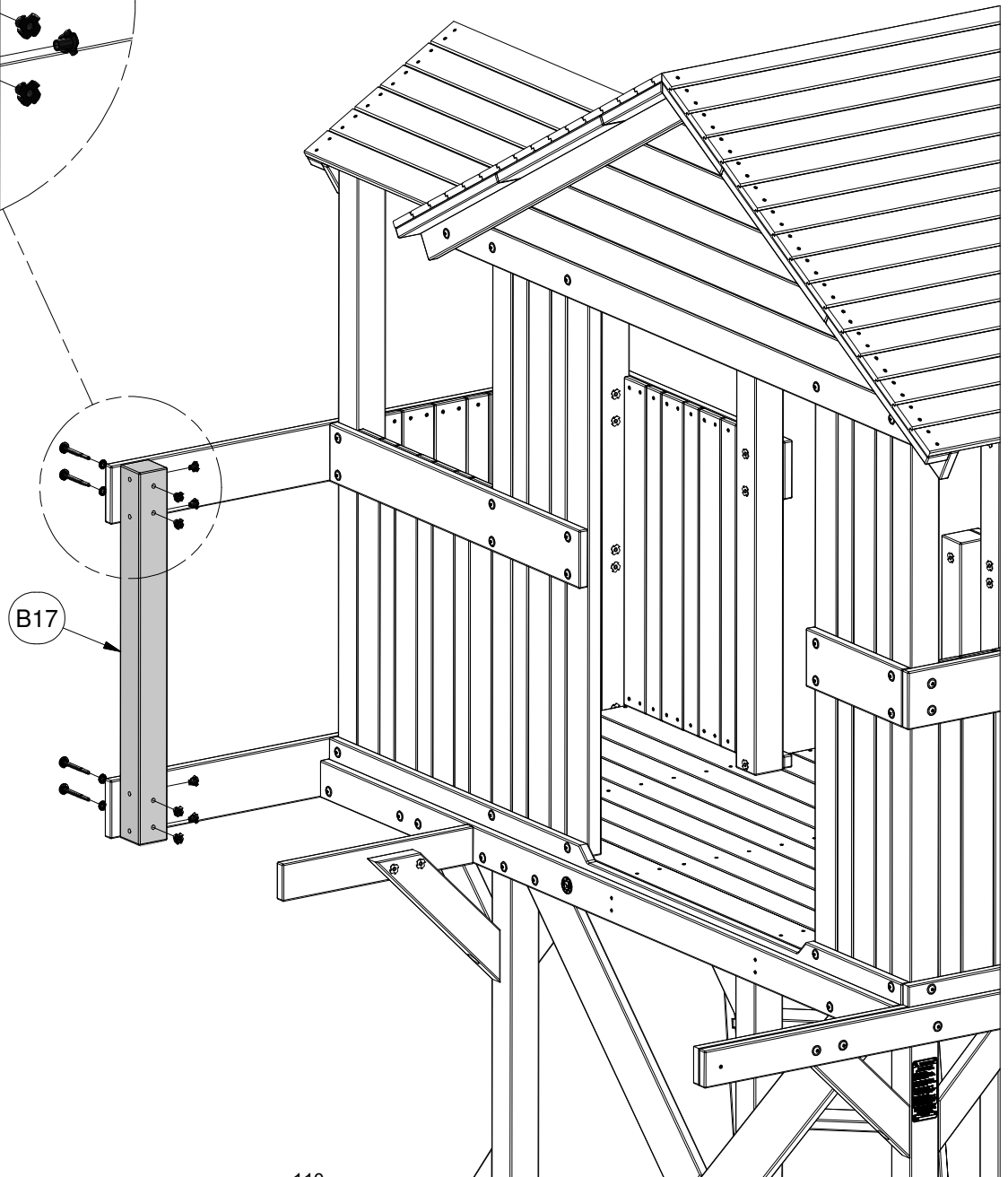
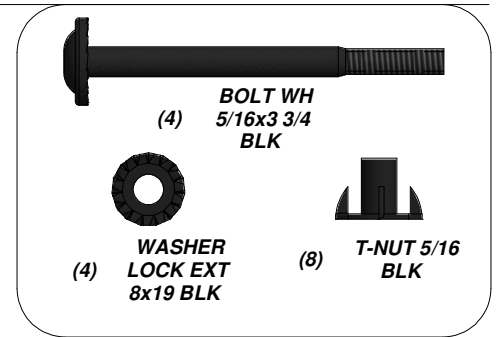
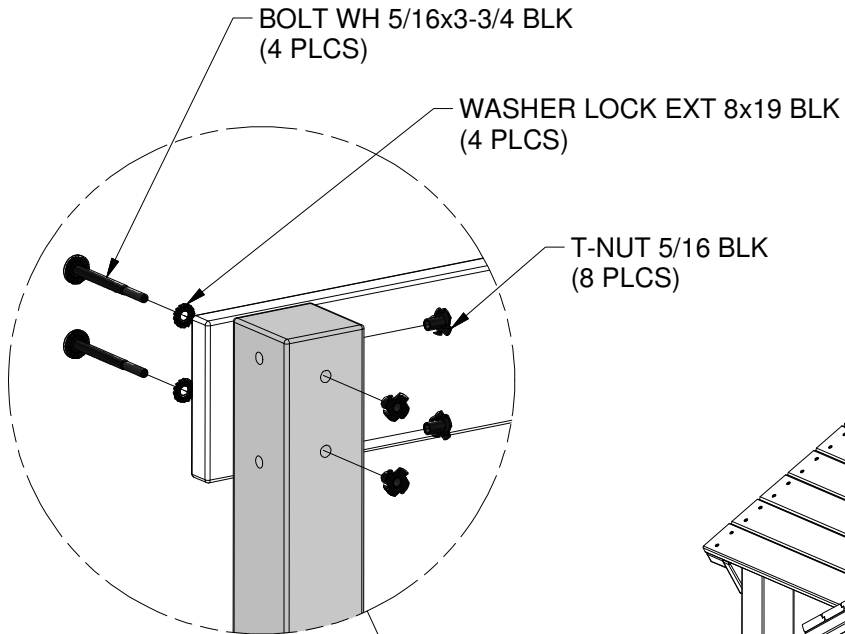
SCREW PFH 8X1-1/8 BLK  
 (20 PLCS)

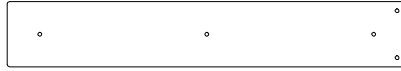




(1) **B17 - POST - W4L08696**  
3"x3"x33 7/8" (76x76x860)

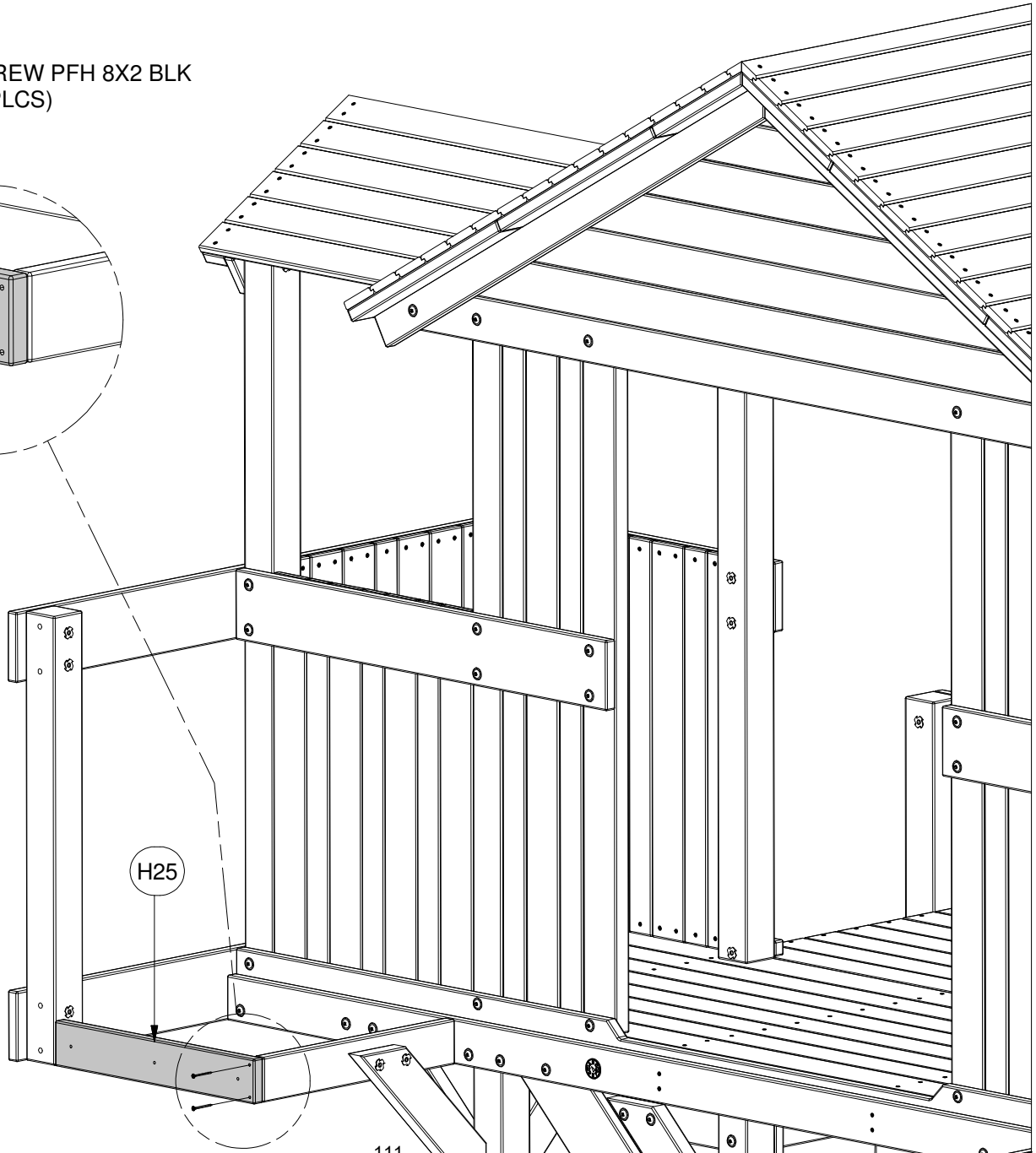
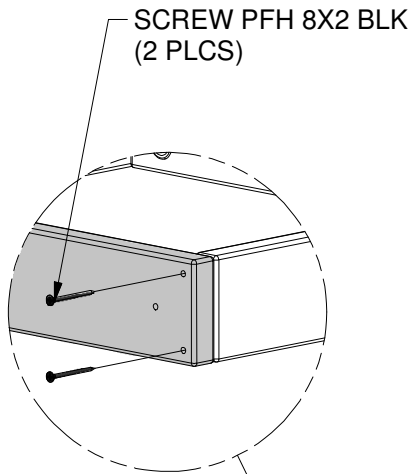
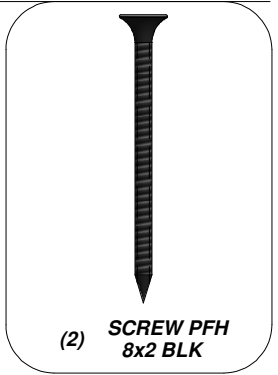
**STEP 78**

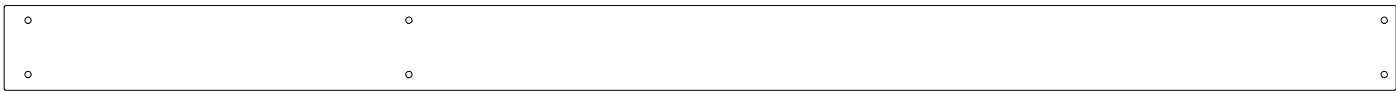




(1) **H25 - FLOOR SUPPORT - W4L08699**  
1"x3 3/8"x20 3/4" (24x86x528)

**STEP 79**





(1) **G28 - DECK BOARD - W4L11667**  
 1"x5 1/4"x87" (24x134x2211)

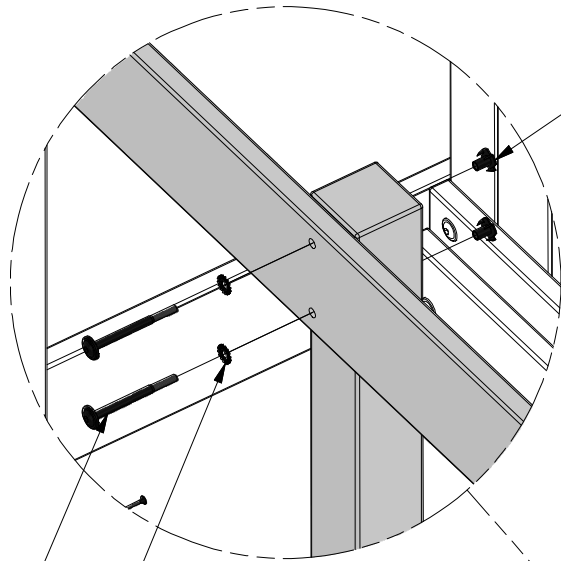


(1) **B18 - POST - W4L08711**  
 3"x3"x33 7/8" (76x76x860)



(1) **G21 - DECK BOARD - W4L08572**  
 1"x5 1/4"x25 1/4" (24x134x643)

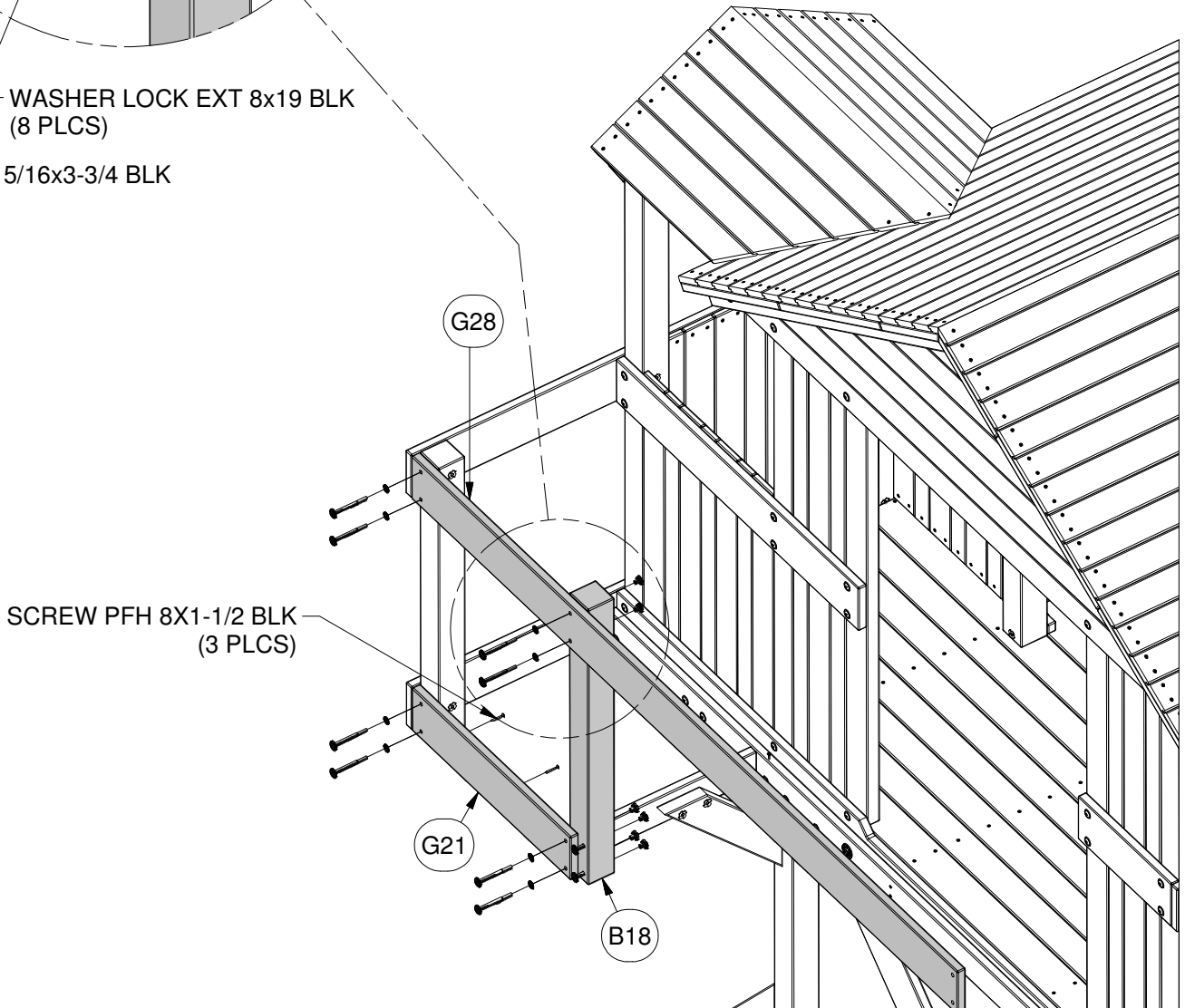
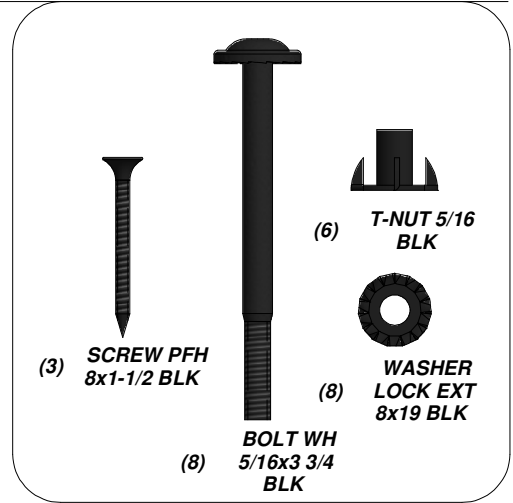
**STEP 80**



**T-NUT 5/16 BLK**  
 (6 PLCS)

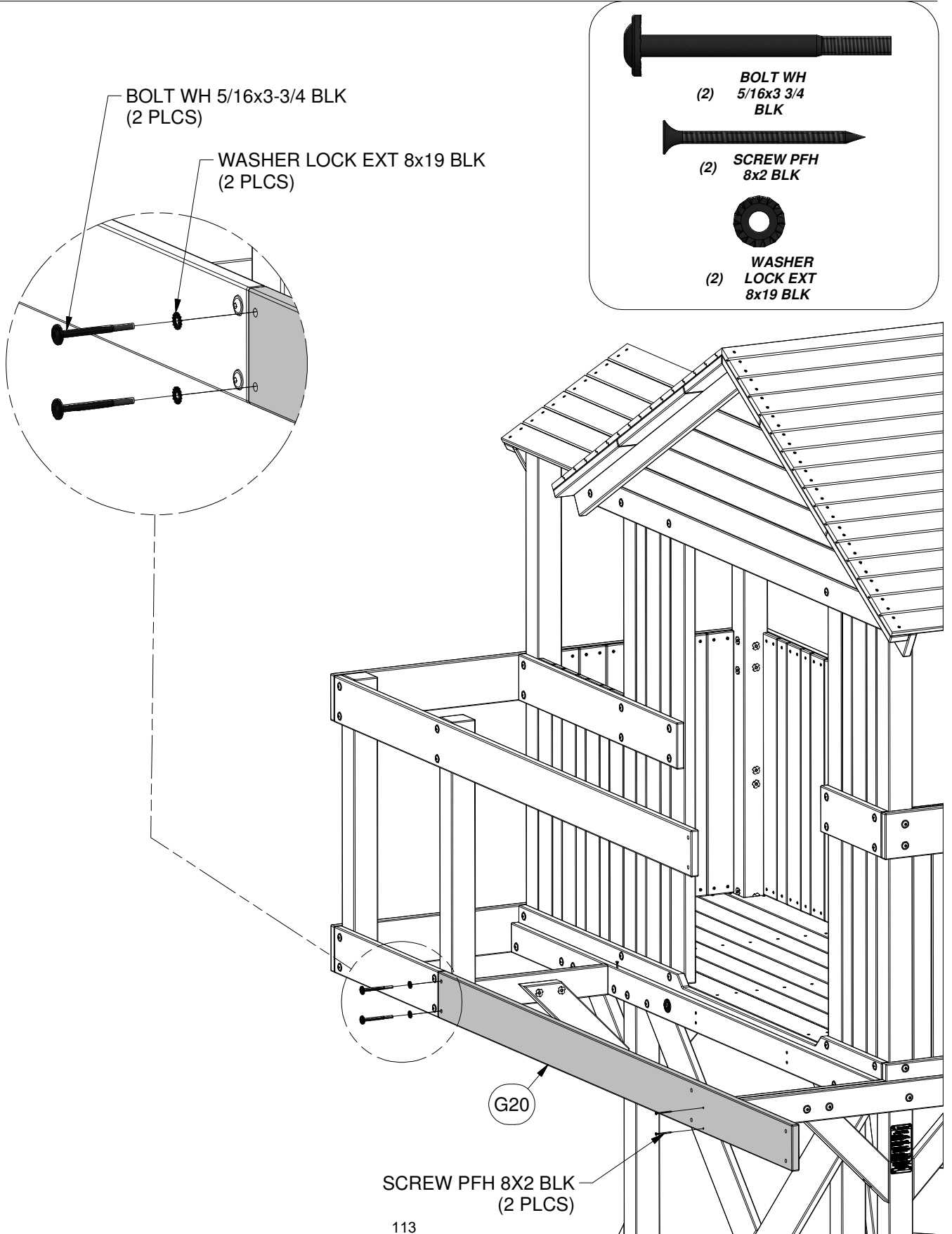
**WASHER LOCK EXT 8x19 BLK**  
 (8 PLCS)

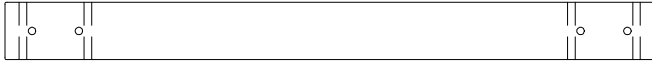
**BOLT WH 5/16x3-3/4 BLK**  
 (8 PLCS)



(1) **G20 - DECK BOARD - W4L08570**  
1"x5 1/4"x86 1/4" (24x134x2191)

**STEP 81**





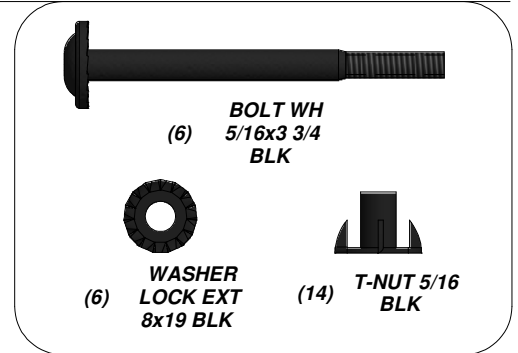
(1) **B17 - POST - W4L08696**  
3"x3"x33 7/8" (76x76x860)



(1) **B19 - POST - W4L08712**  
3"x3"x33 7/8" (76x76x860)

### STEP 82

**IT IS RECOMMENDED THAT YOU PLACE ALL T-NUTS BEFORE YOU BEGIN ASSEMBLY OF PARTS**



WASHER LOCK EXT 8x19 BLK  
(2 PLCS)

T-NUT 5/16 BLK  
(6 PLCS)

BOLT WH 5/16x3-3/4 BLK  
(2 PLCS)

B19

WASHER LOCK EXT 8x19 BLK  
(2 PLCS)

BOLT WH 5/16x3-3/4 BLK  
(2 PLCS)

B17

BOLT WH 5/16x3-3/4 BLK  
(2 PLCS)

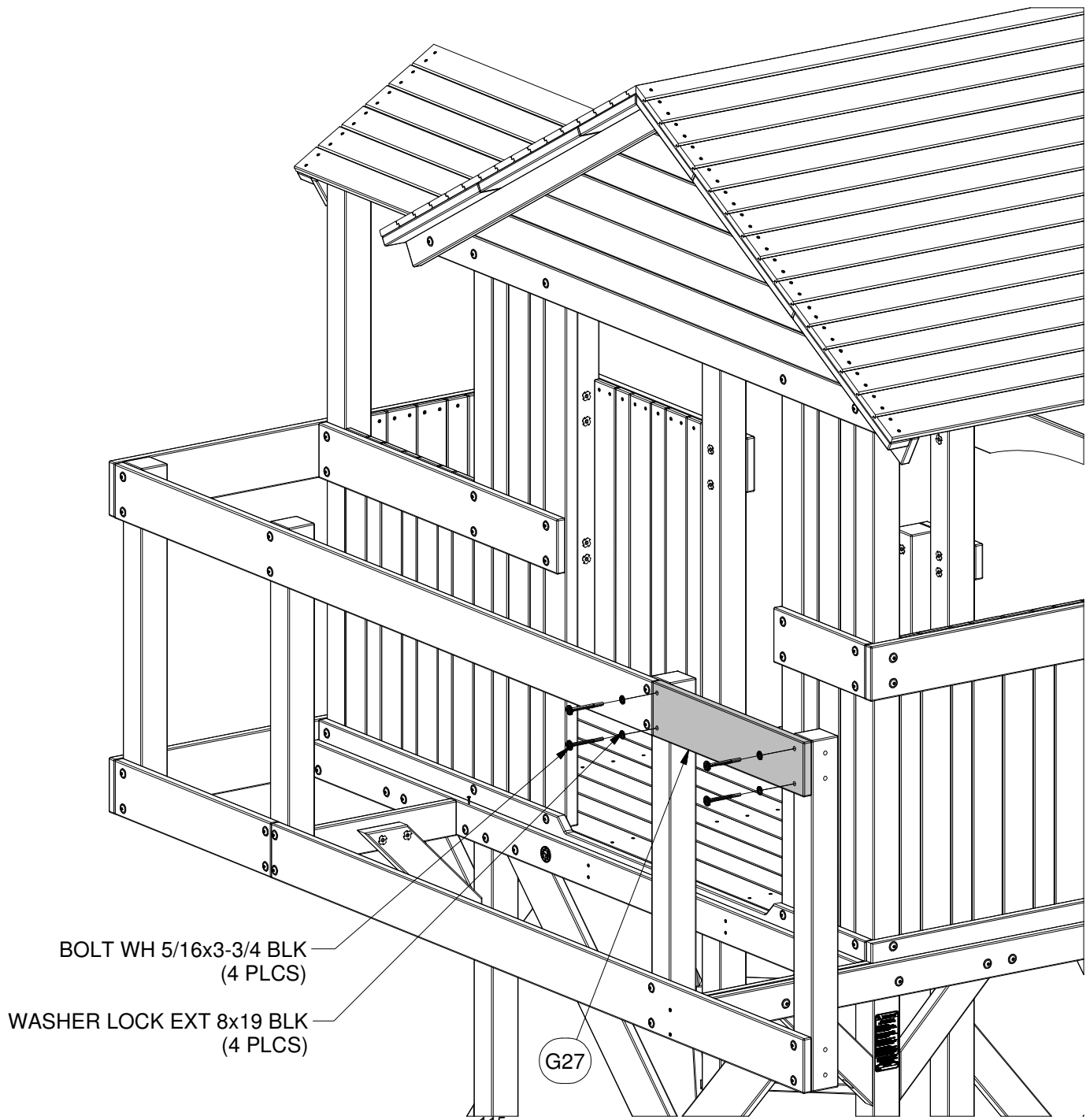
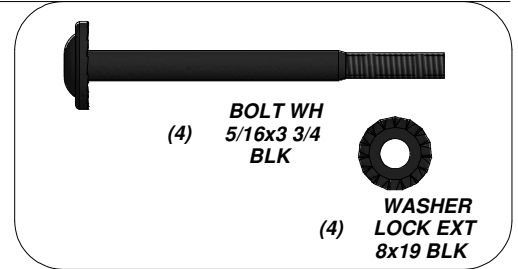
WASHER LOCK EXT 8x19 BLK  
(2 PLCS)

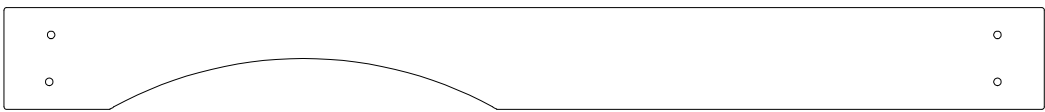
T-NUT 5/16 BLK  
(8 PLCS)



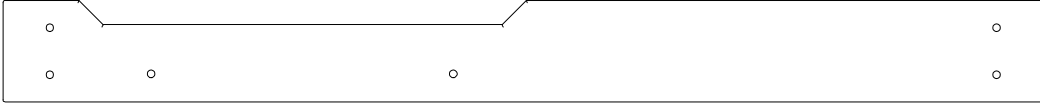
(1) **G27 - DECK BOARD - W4L11666**  
1"x5 1/4"x24 1/2" (24x134x622)

**STEP 83**



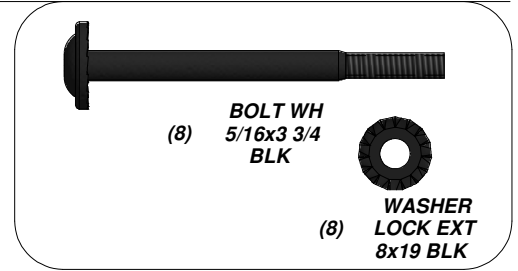


(1) **G25 - ENTRY BOARD - W4L08710**  
1"x5 1/4"x54 1/4" (24x134x1377)



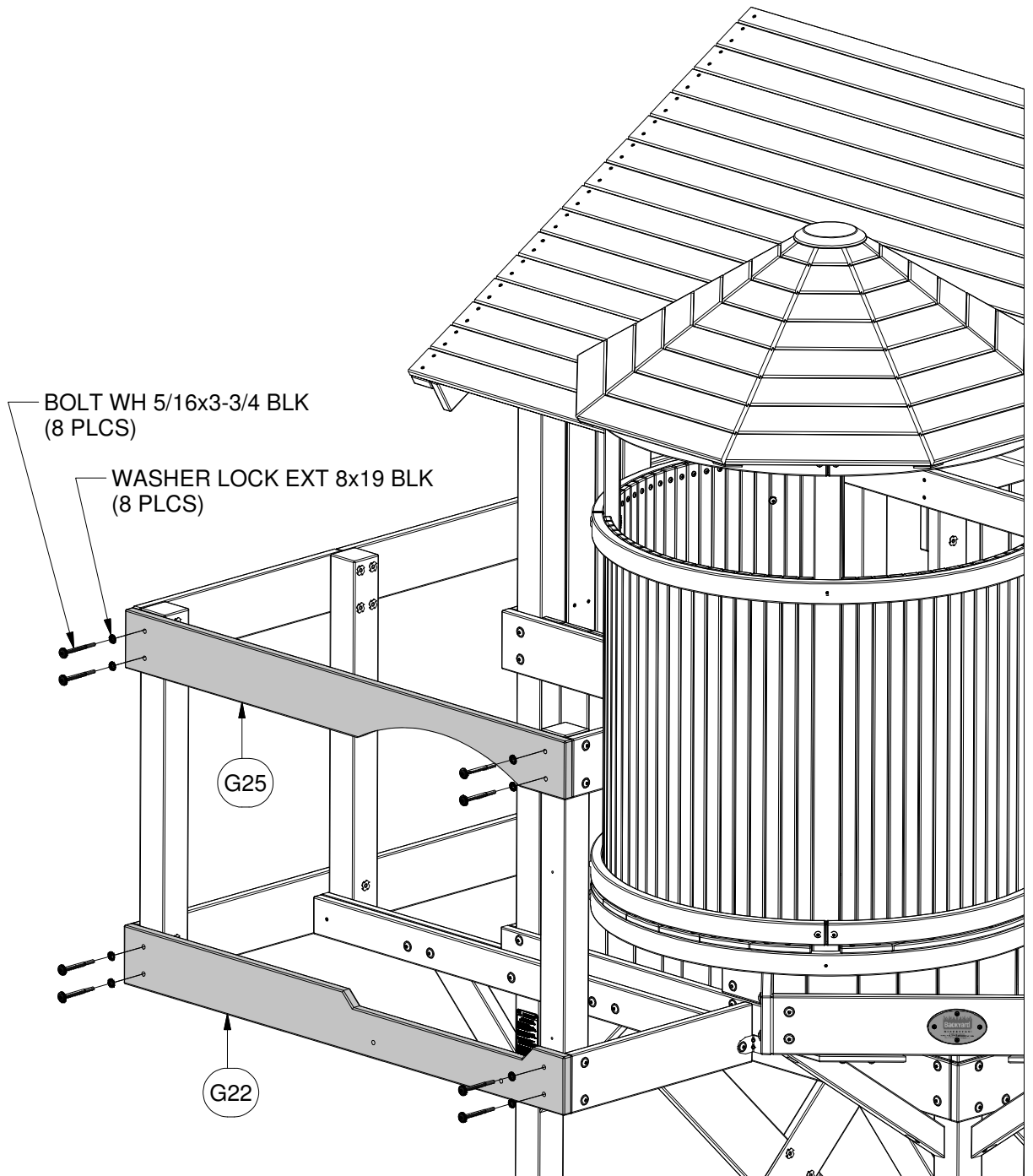
(1) **G22 - DECK BOARD - W4L08697**  
1"x5 1/4"x54 1/4" (24x134x1377)

**STEP 84**



(8) **BOLT WH**  
5/16x3 3/4  
BLK

(8) **WASHER  
LOCK EXT**  
8x19 BLK





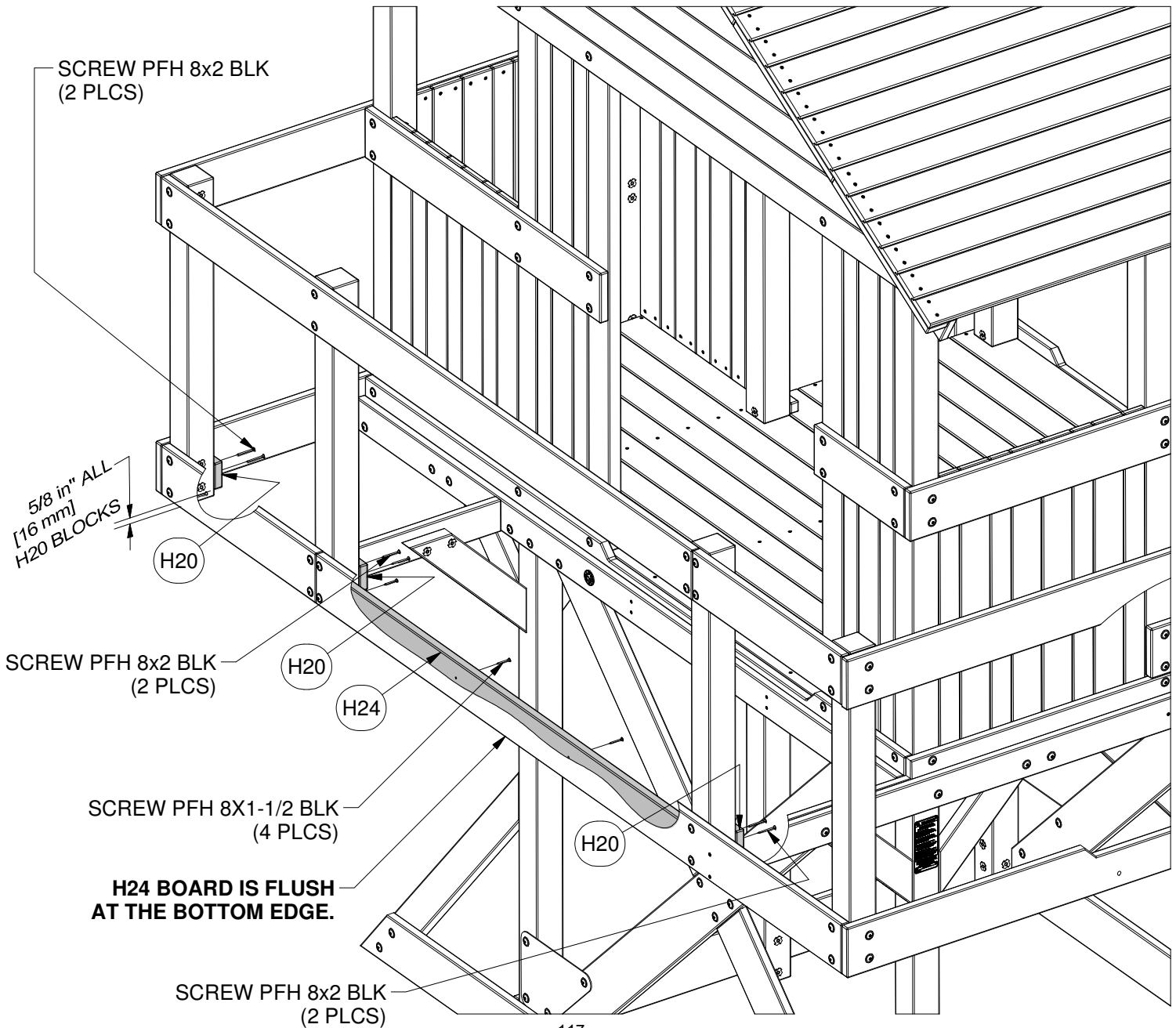
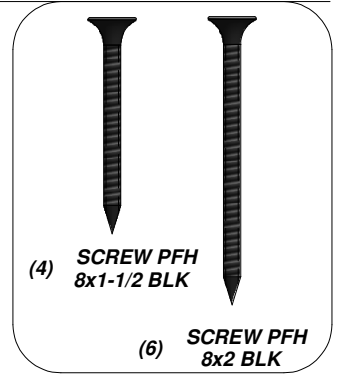


(1) **H24 - FLOOR SUPPORT - W4L08571**  
1"x3 3/8"x58 3/4" (24x86x1493)



(3) **H20 - FLOOR SUPPORT - W4L08562**  
1"x2 3/4"x3" (24x70x76)

## STEP 85





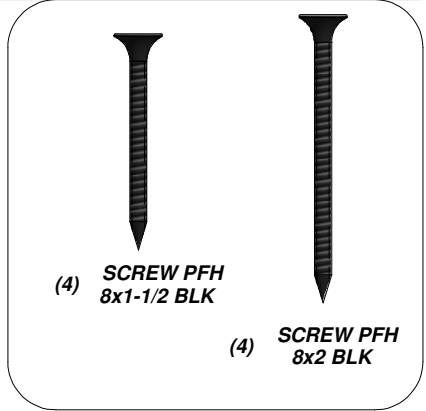
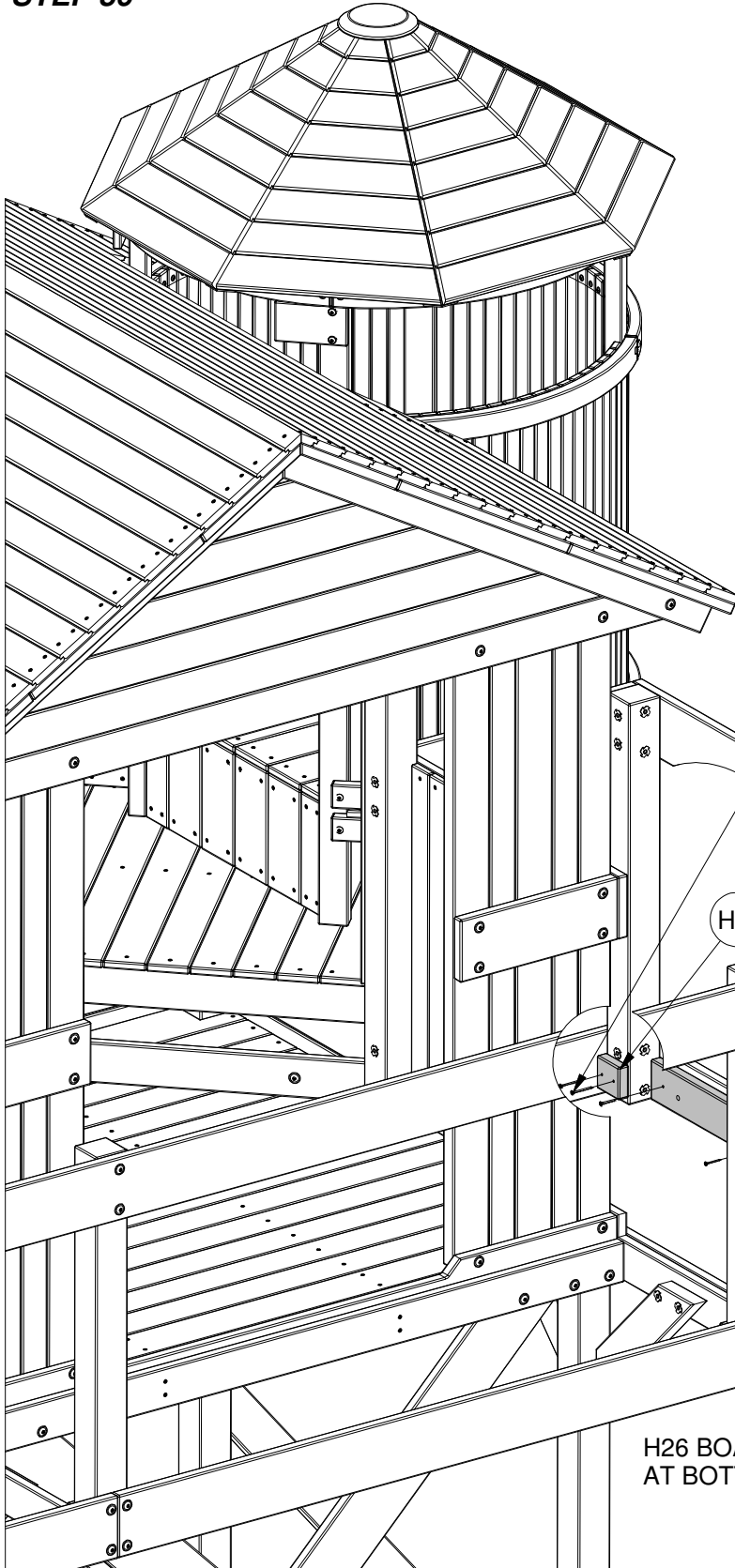
(2) **H20 - FLOOR SUPPORT - W4L08562**  
 1"x2 3/4"x3" (24x70x76)



(1) **H26 - FLOOR SUPPORT - W4L08700**  
 1"x3 3/8"x46 1/4" (24x86x1176)

1 7/16 in  
 [37 mm]

**STEP 86**



SCREW PFH 8x2 BLK  
 (2 PLCS)

SCREW PFH 8X1-1/2 BLK  
 (4 PLCS)

H20

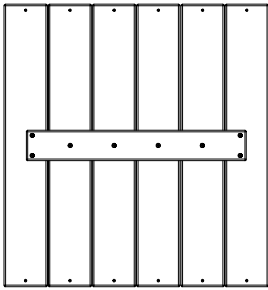
H26

H20

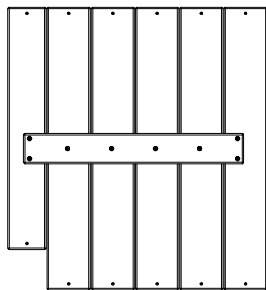
H26 BOARD FLUSH  
 AT BOTTOM EDGE.

5/8 in [17 mm] ALL  
 H20 BLOCKS

SCREW PFH 8x2 BLK  
 (2 PLCS)



(3) **FP3 - FLOOR PANEL - W2A02227**  
 1 1/4"x22 1/16"x20 11/16" (32x560x525)

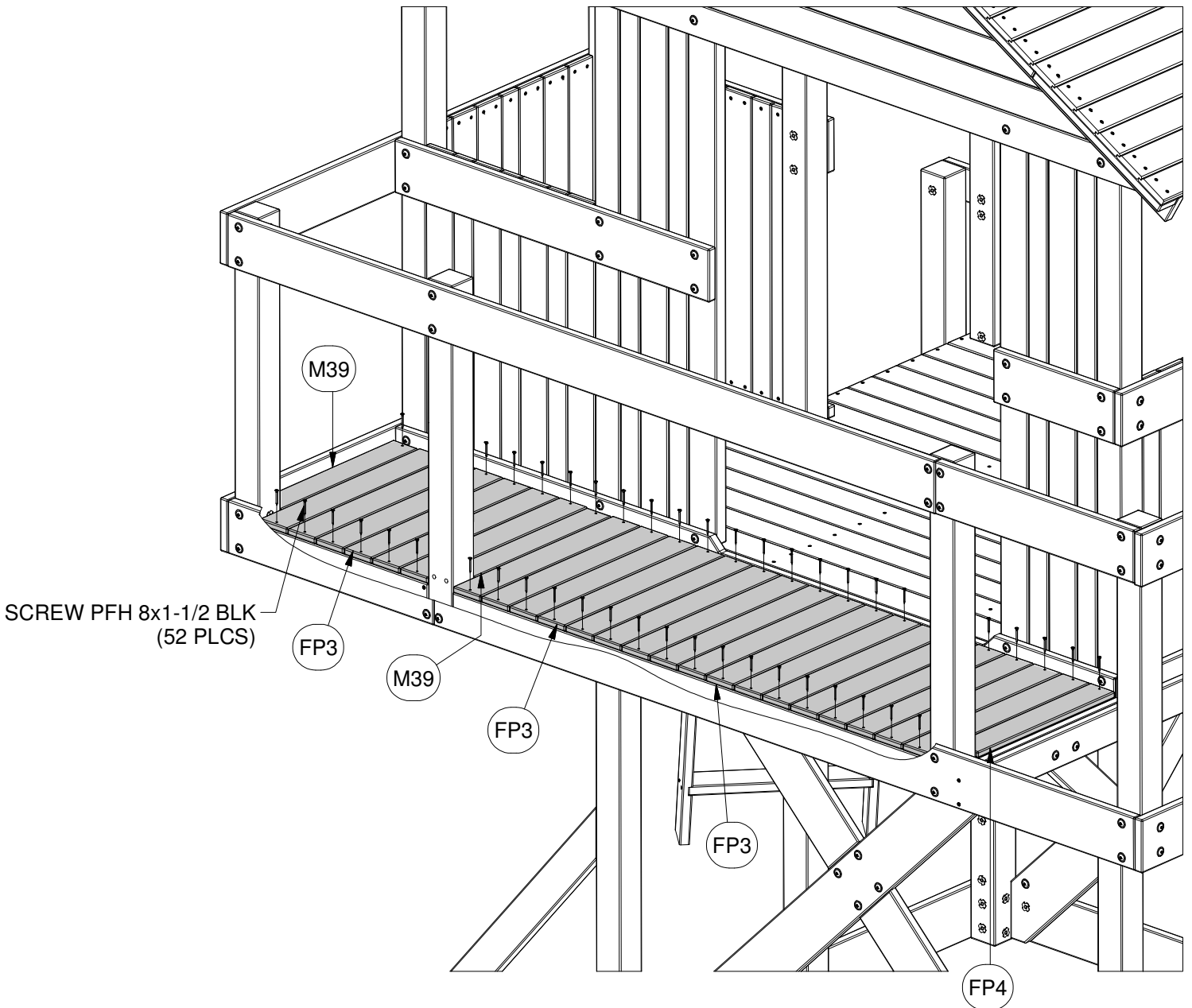
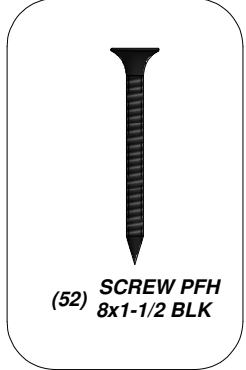


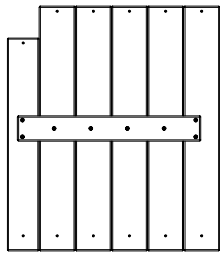
(1) **FP4 - FLOOR PANEL - W2A02228**  
 1 1/4"x2 1/4"x22" (32x515x560)



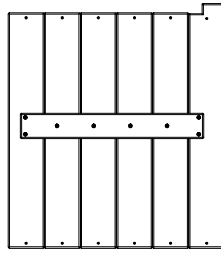
(2) **M39 - FLOOR BOARD - W4L11558**  
 5/8"x3"x18 7/8" (16x76x480)

**STEP 87**

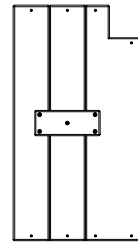




(1) **FP5 - FLOOR PANEL - W2A02229**  
1 1/4"x19 15/16"x22 15/16" (32x506x582)

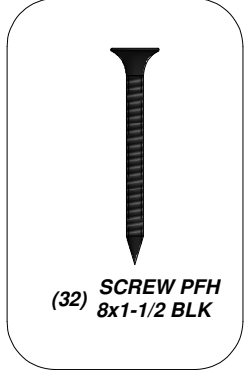
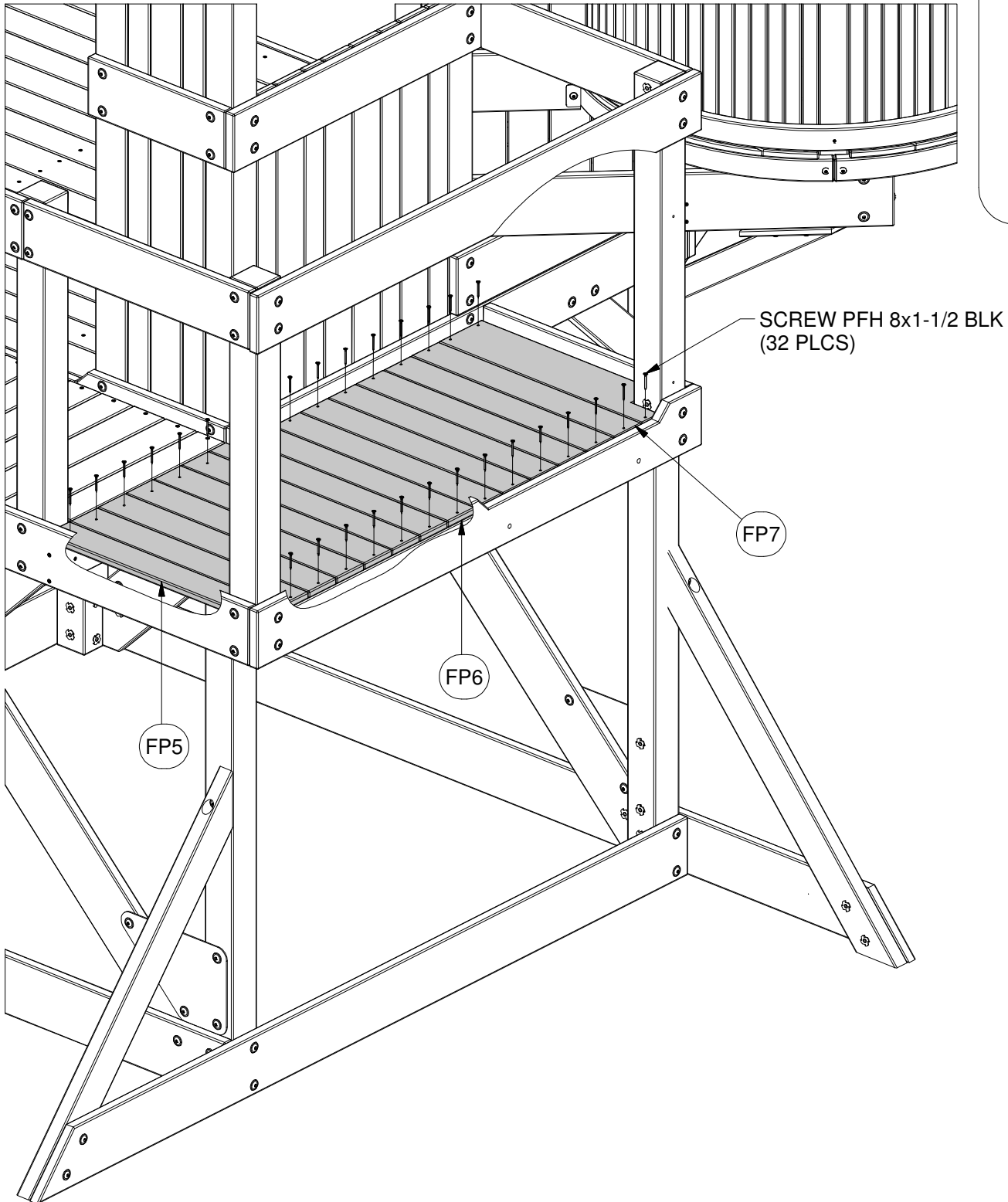


(1) **FP6 - FLOOR PANEL - W2A02230**  
1 1/4"x20 5/16"x22 15/16" (32x516x582)



(1) **FP7 - FLOOR PANEL - W2A02248**  
1 1/4"x12 1/16"x22 1/16" (32x306x560)

### STEP 88



(32) **SCREW PFH**  
8x1-1/2 BLK

SCREW PFH 8x1-1/2 BLK  
(32 PLCS)

FP7

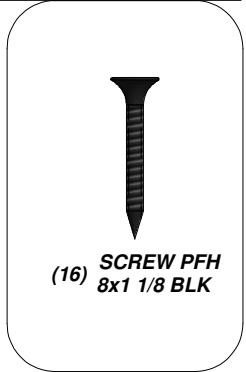
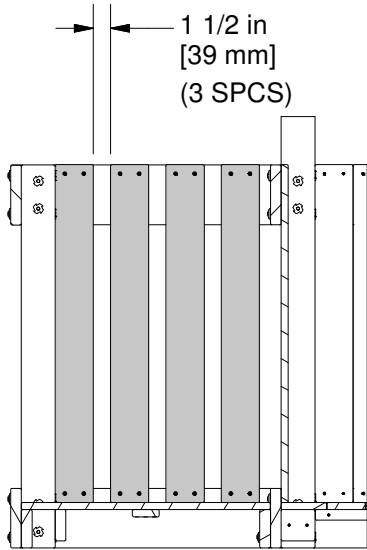
FP6

FP5



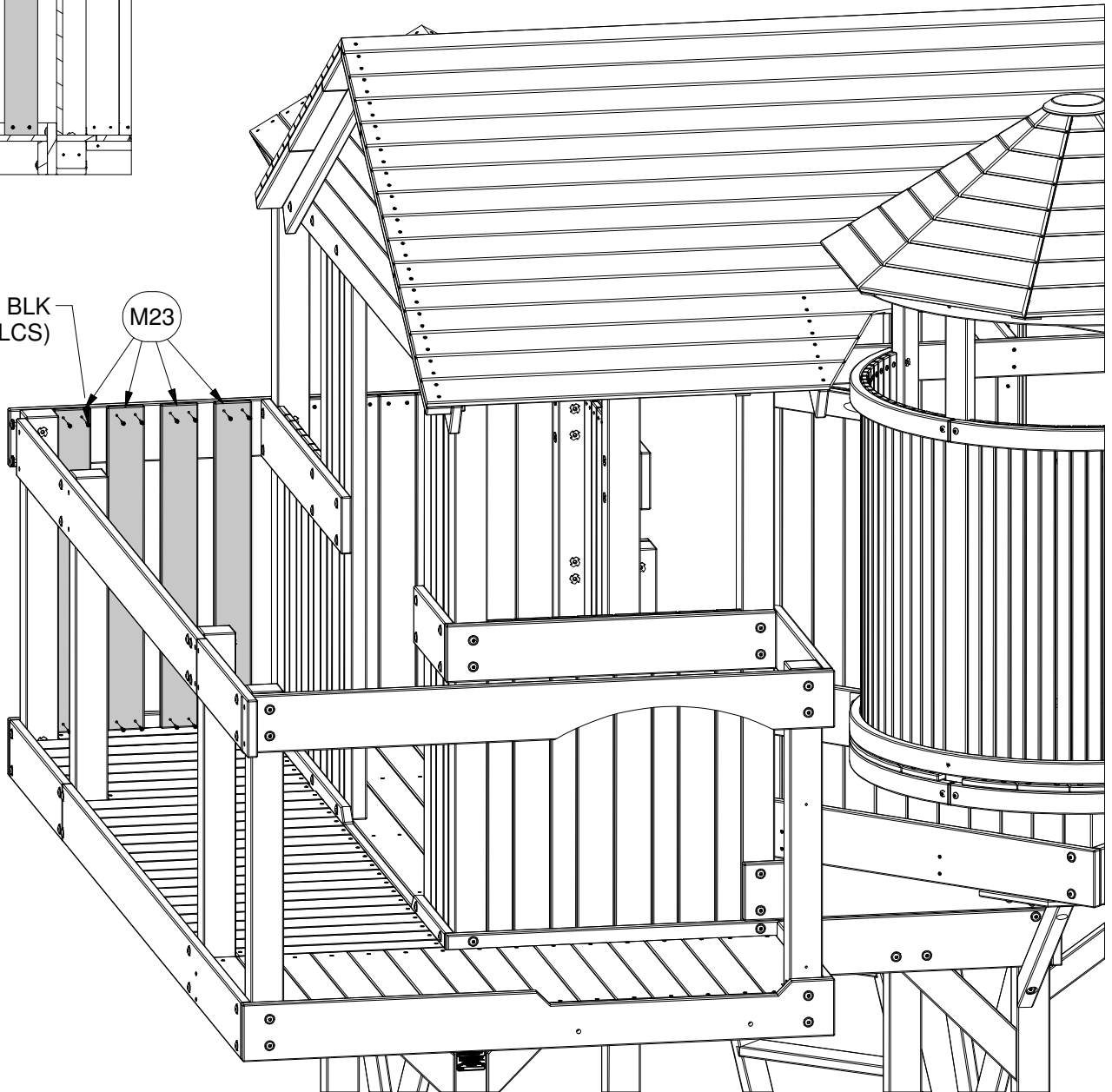
(4) **M23 - WALL PICKET - W4L08544**  
5/8"x3 3/8"x29 7/8" (16x86x759)

**STEP 89**



SCREW PFH 8X1-1/8 BLK  
(16 PLCS)

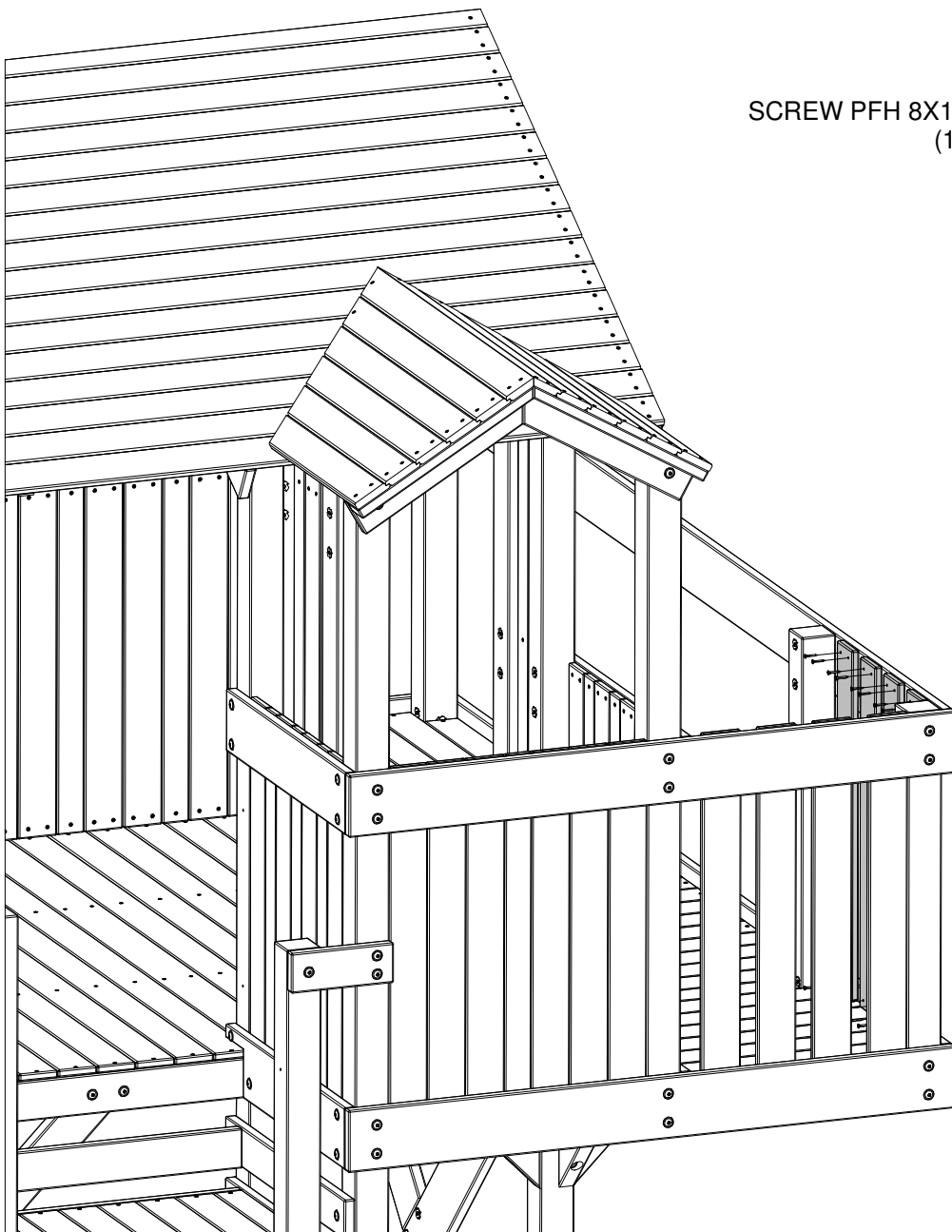
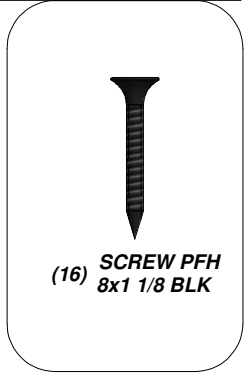
M23





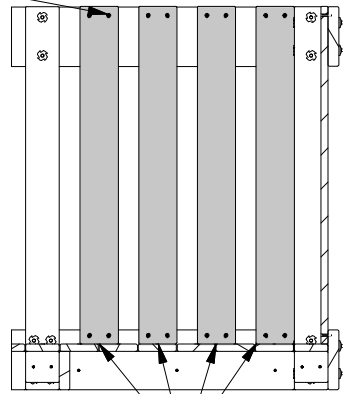
(4) **M23 - WALL PICKET - W4L08544**  
5/8"x3 3/8"x29 7/8" (16x86x759)

**STEP 90**



SCREW PFH 8X1-1/8 BLK  
(16 PLCS)

1 13/16 in  
[46 mm]  
(3 SPCS)

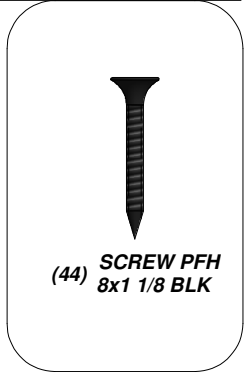
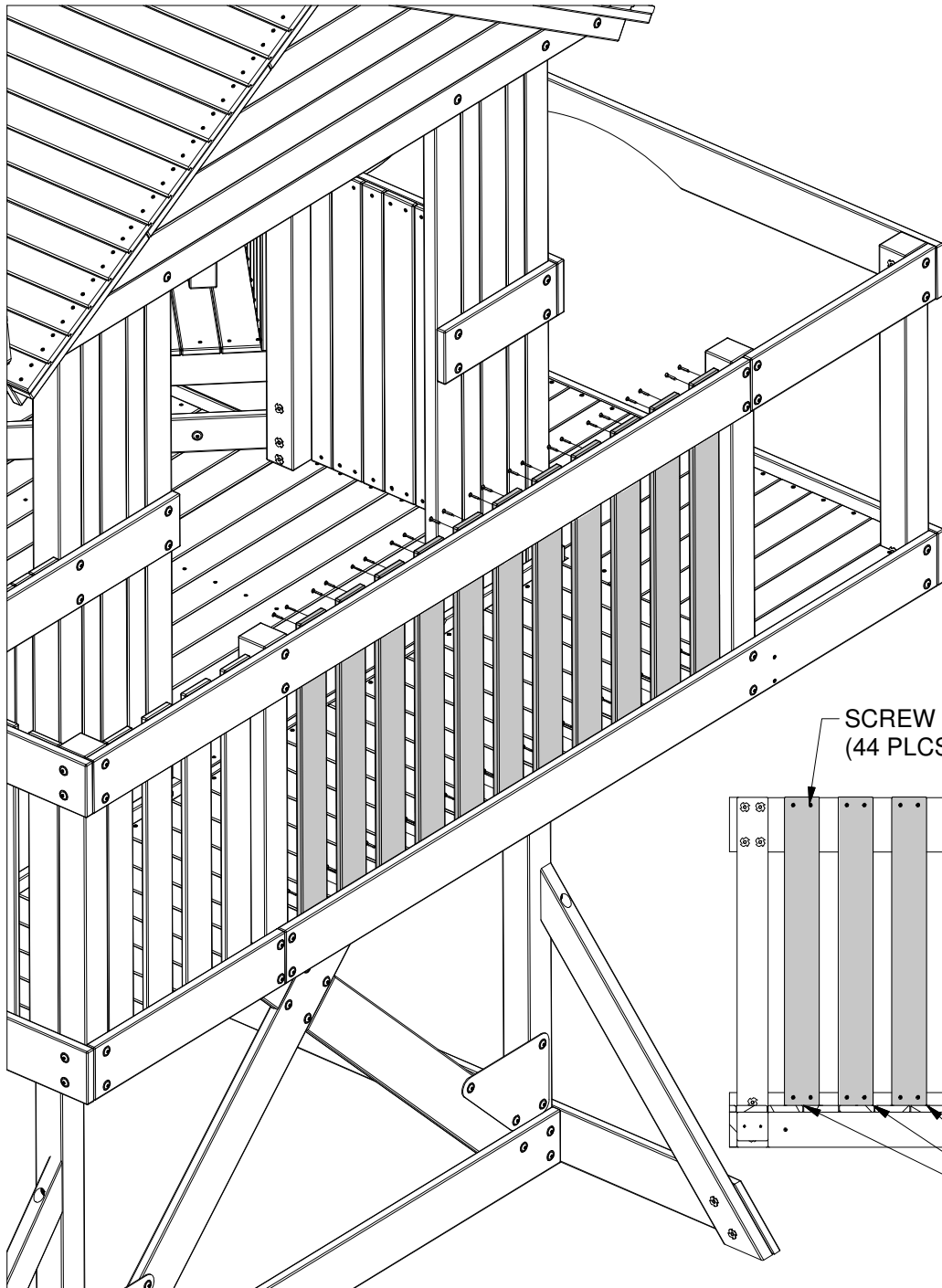


M23



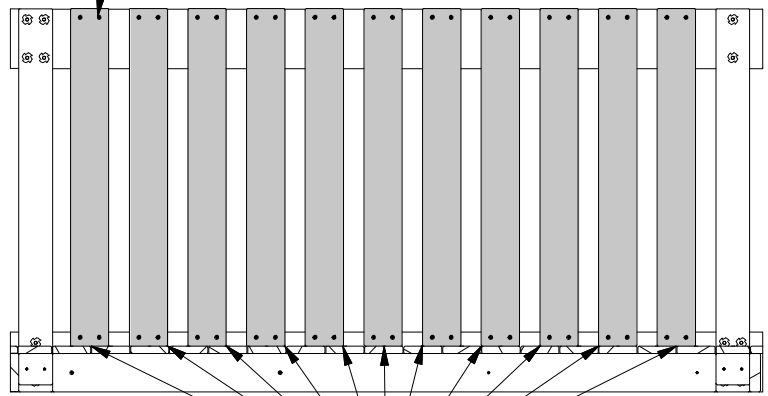
(11) **M23 - WALL PICKET - W4L08544**  
5/8"x3 3/8"x29 7/8" (16x86x759)

**STEP 91**



1 13/16 in  
[46 mm]  
(11 SPCS)

SCREW PFH 8X1-1/8 BLK  
(44 PLCS)



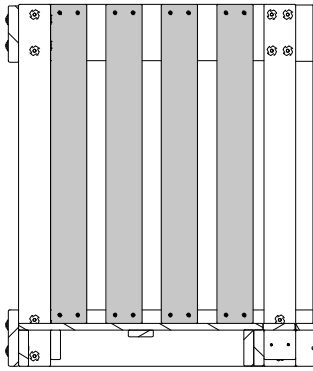
M23



(4) **M23 - WALL PICKET - W4L08544**  
5/8"x3 3/8"x29 7/8" (16x86x759)

**STEP 92**

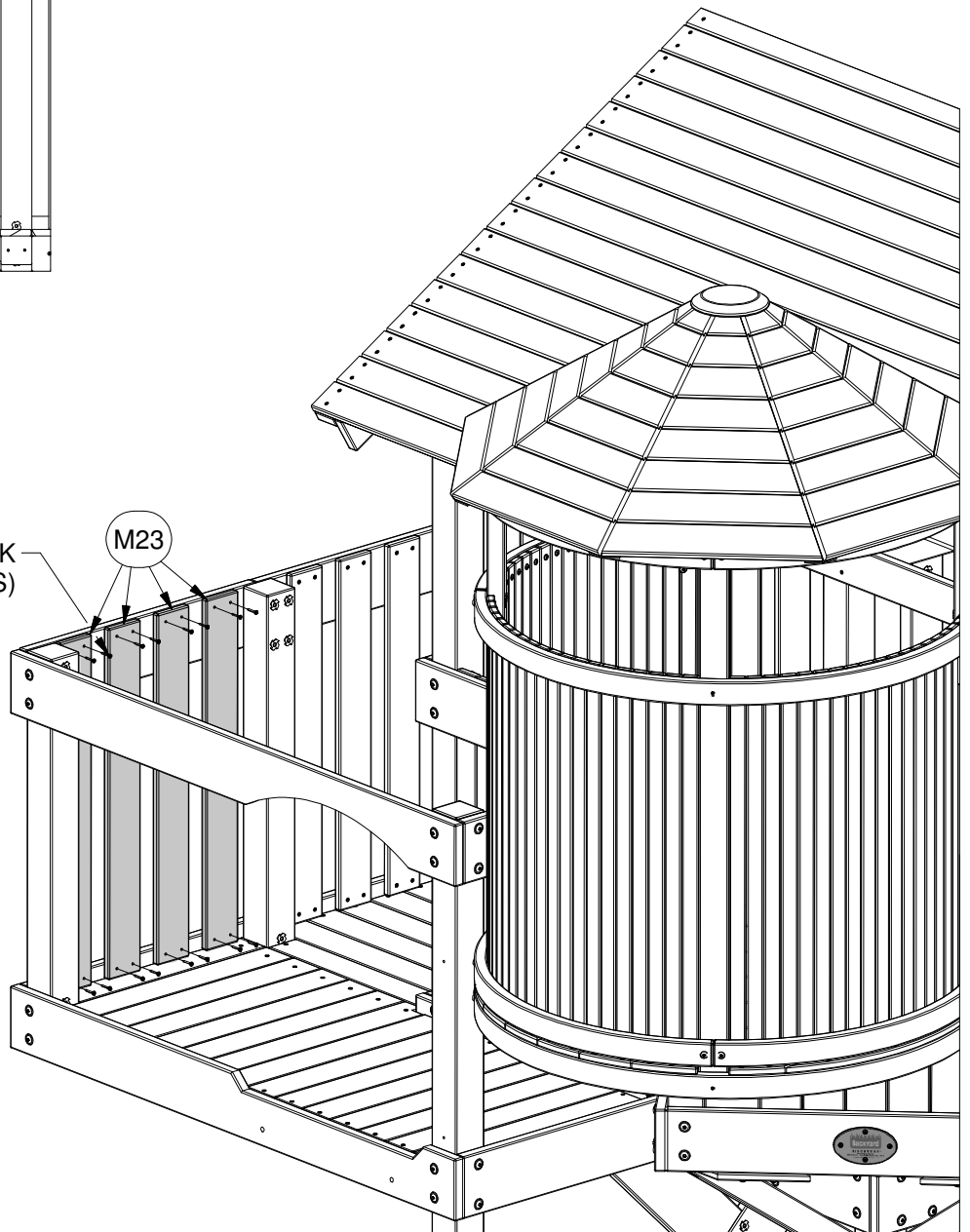
1 13/16 in  
[46 mm]  
(3 SPCS)



  
(16) **SCREW PFH**  
8x1 1/8 **BLK**

SCREW PFH 8X1-1/8 BLK  
(16 PLCS)

M23

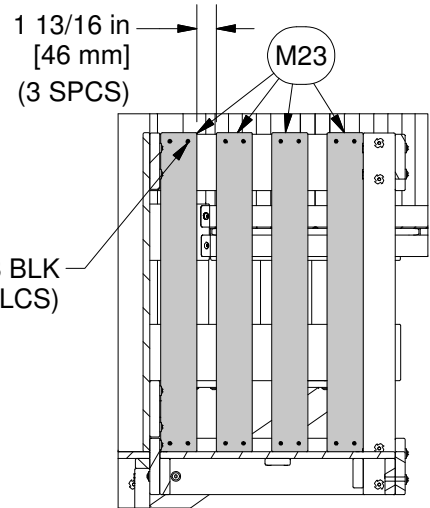
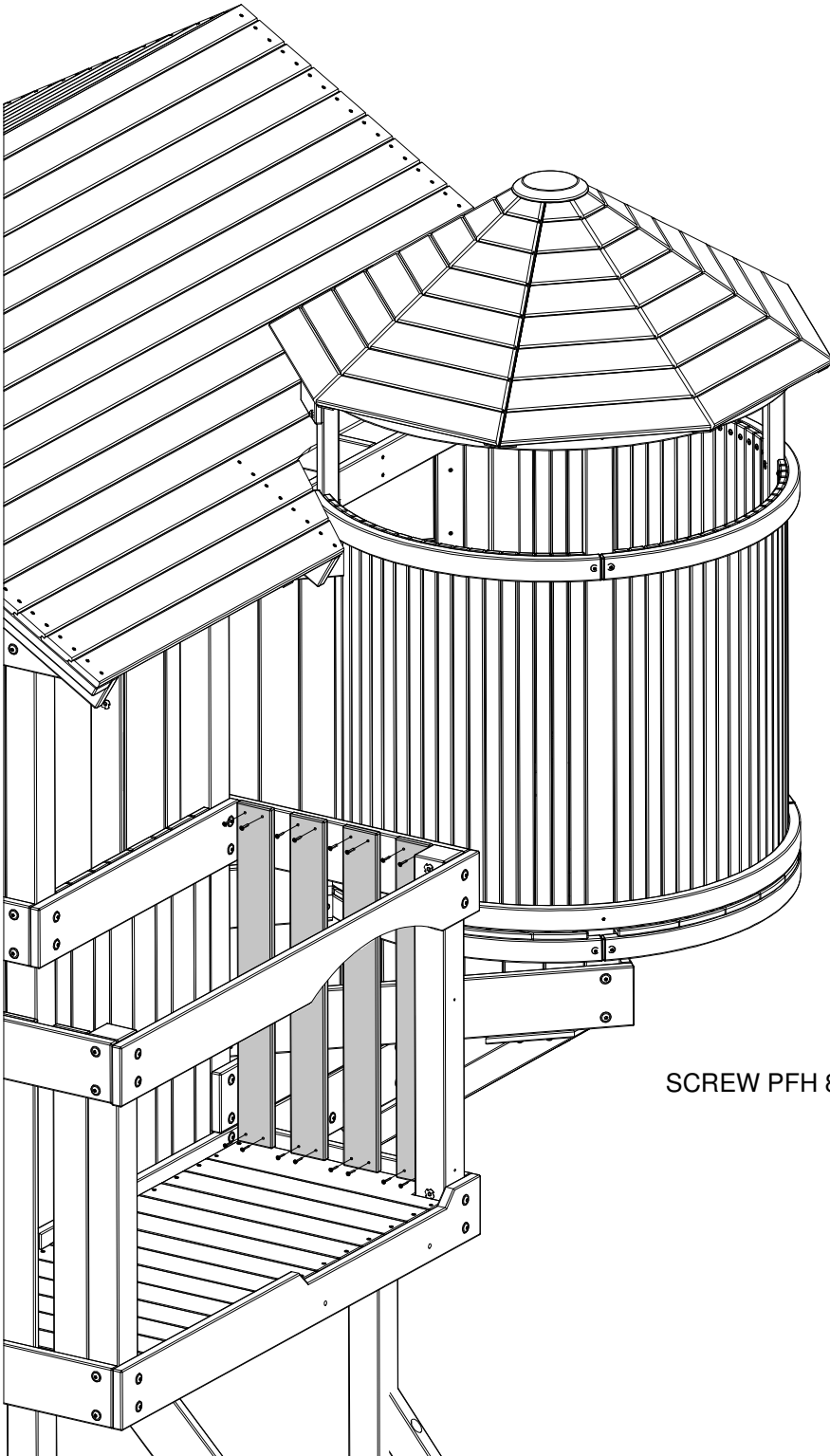
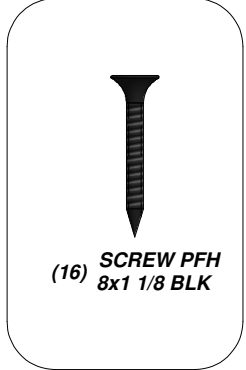






(4) **M23 - WALL PICKET - W4L08544**  
**5/8"x3 3/8"x29 7/8" (16x86x759)**

**STEP 93**





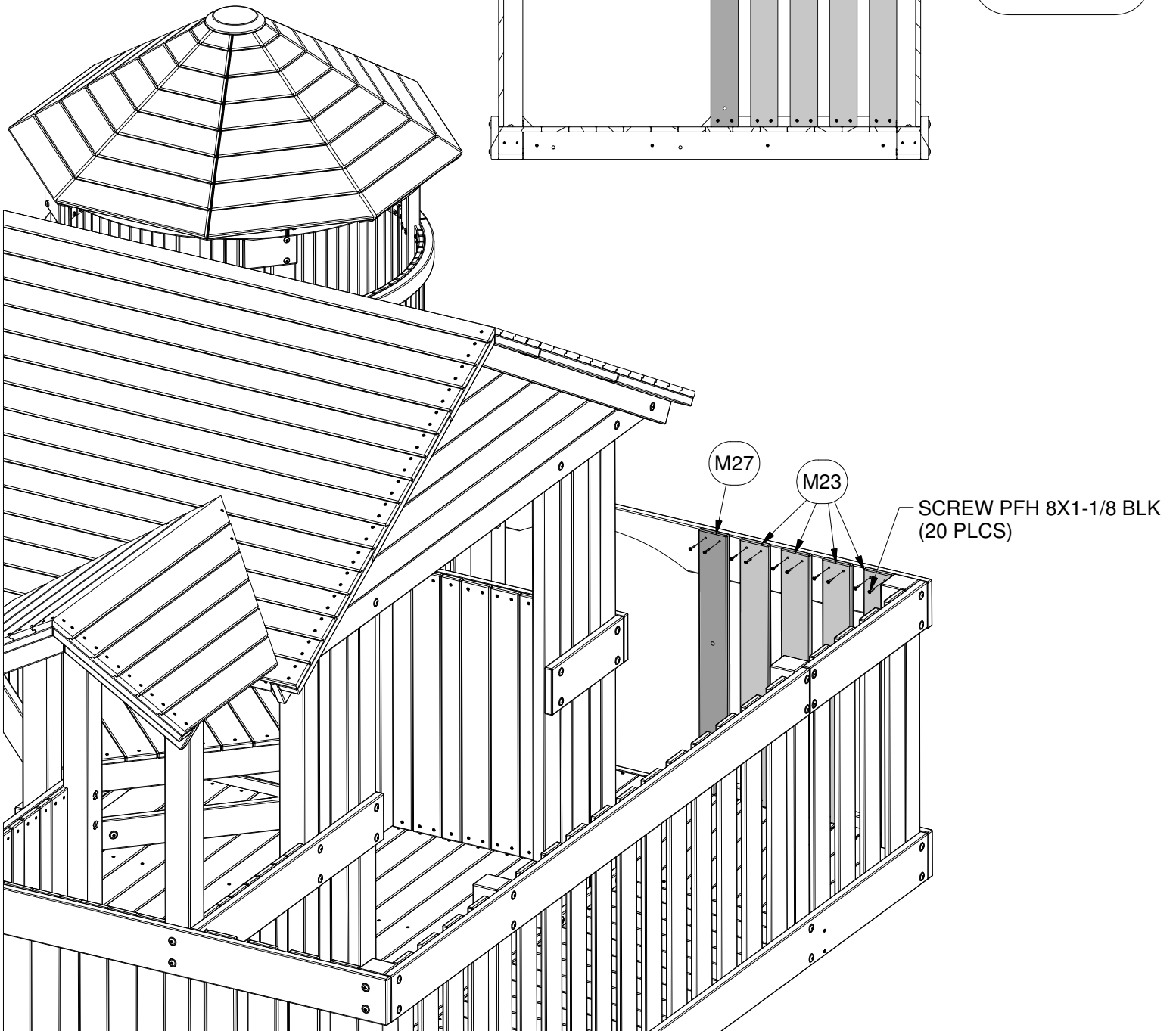
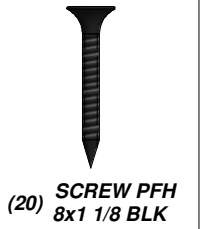
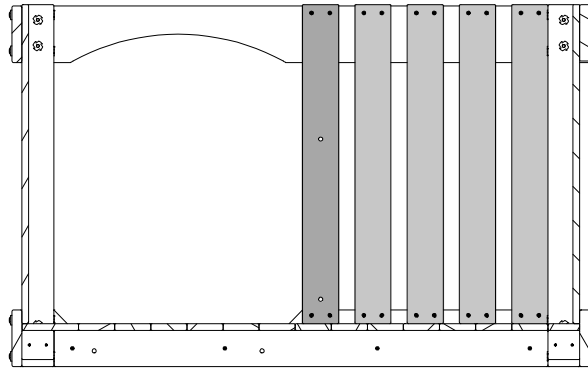
(4) **M23 - WALL PICKET - W4L08544**  
5/8"x3 3/8"x29 7/8" (16x86x759)



(1) **M27 - WALL PICKET - W4L08714**  
5/8"x3 3/8"x29 7/8" (16x86x759)

## STEP 94

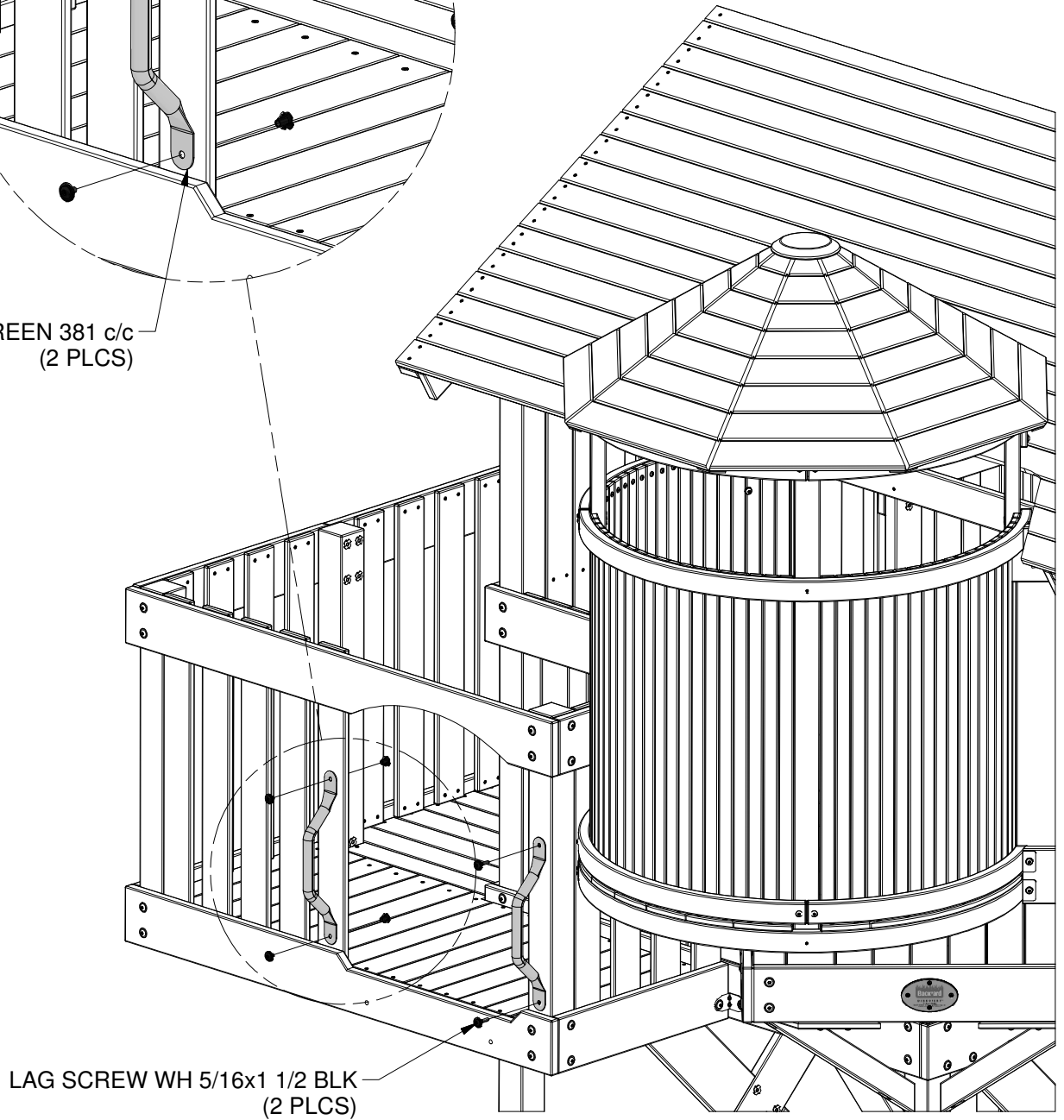
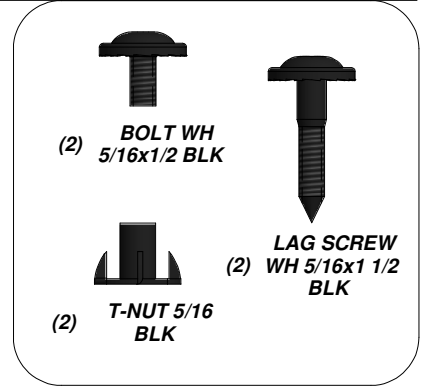
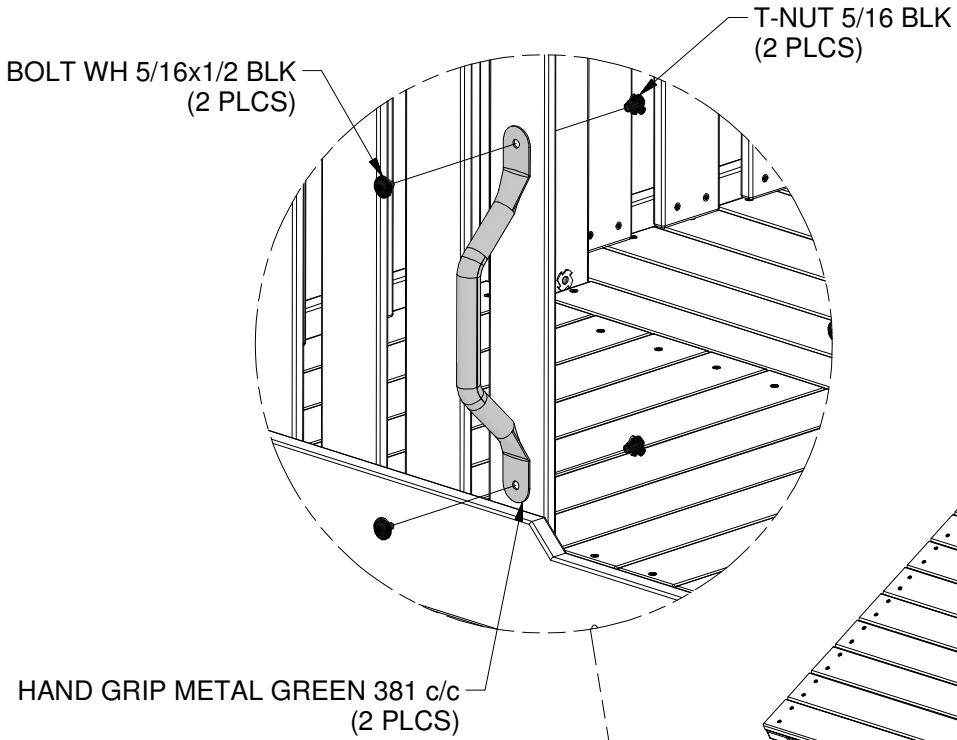
1 1/2 in  
[39 mm]  
(4 SPCS)





(2) FX - HAND GRIP METAL GREEN 381 c/c - A100118

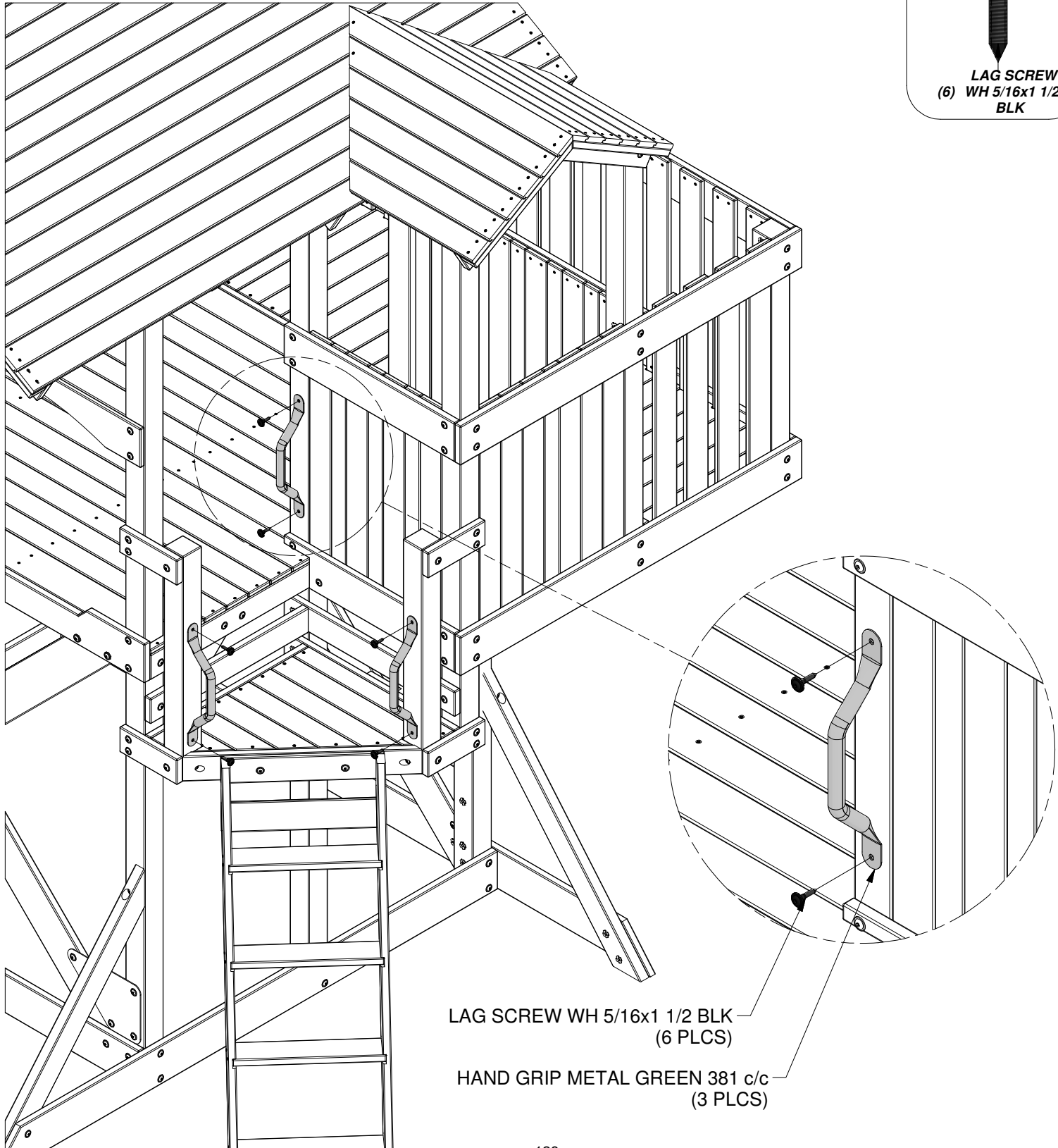
**STEP 95**





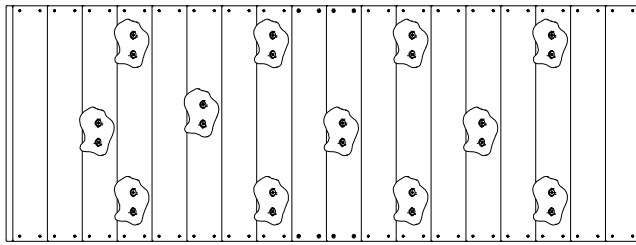
(3) FX - HAND GRIP METAL GREEN 381 c/c - A100118

**STEP 96**



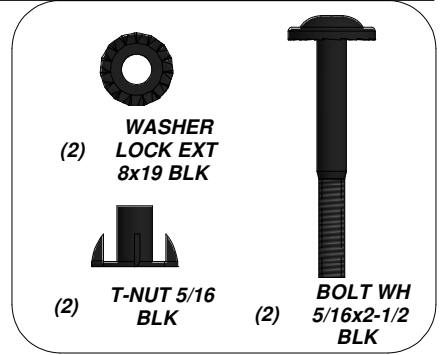
LAG SCREW WH 5/16x1 1/2 BLK  
(6 PLCS)

HAND GRIP METAL GREEN 381 c/c  
(3 PLCS)

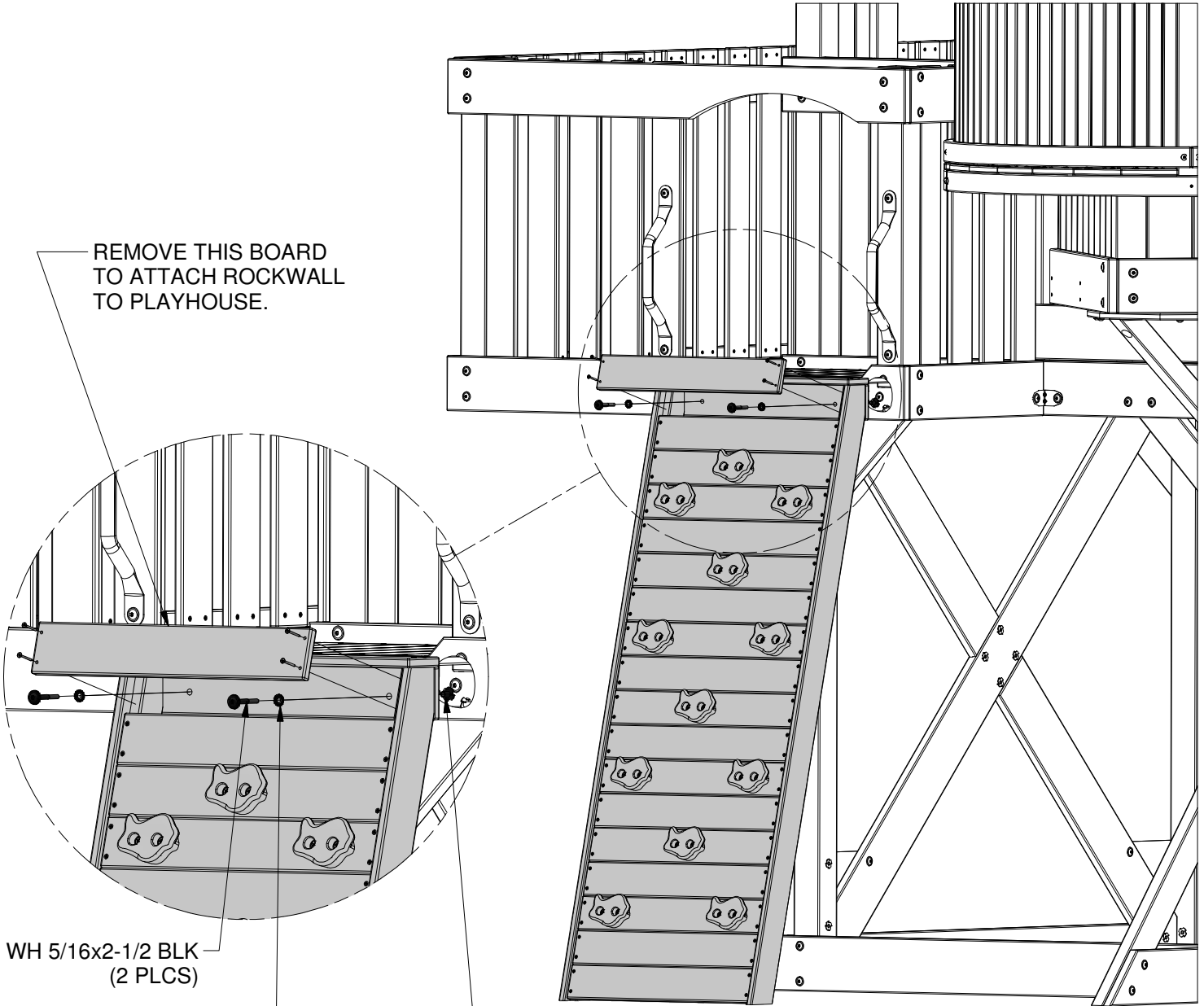


(1) 5 FT. ROCK WALL ASSEMBLY

**STEP 97**



REMOVE THIS BOARD TO ATTACH ROCKWALL TO PLAYHOUSE.



BOLT WH 5/16x2-1/2 BLK (2 PLCS)

WASHER LOCK EXT 8x19 BLK (2 PLCS)

T-NUT 5/16 BLK (2 PLCS)

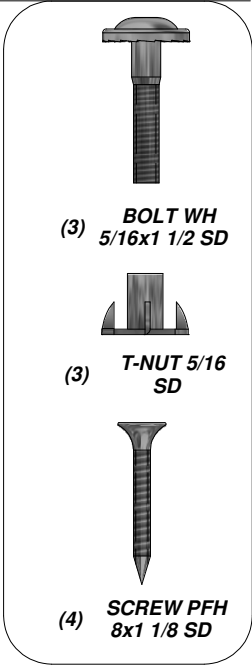
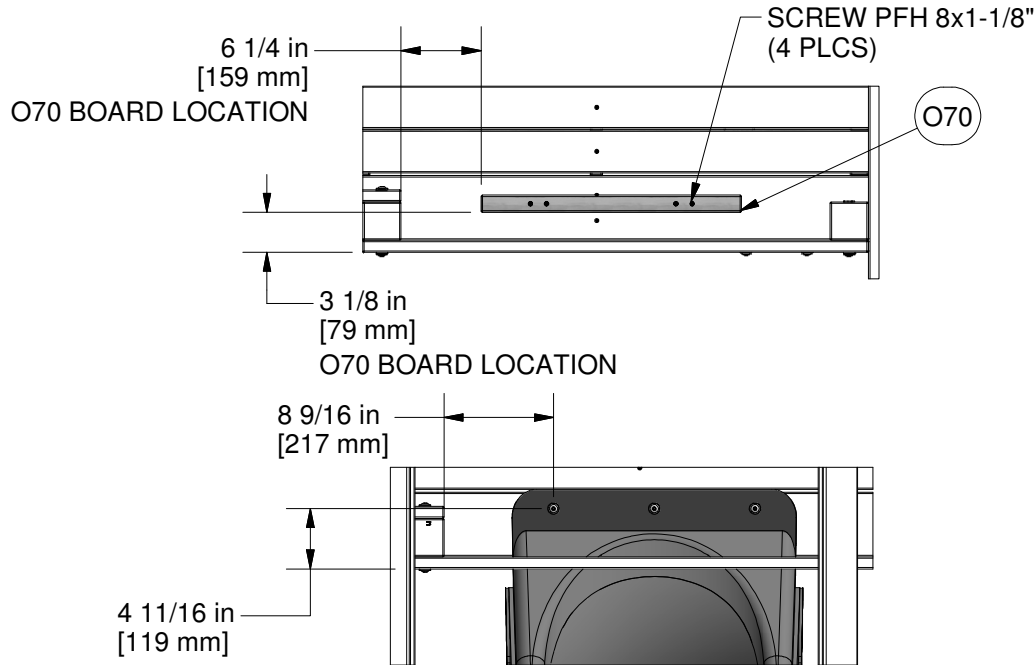


(1) 10' VAC SLIDE  
A100287 OR 50250

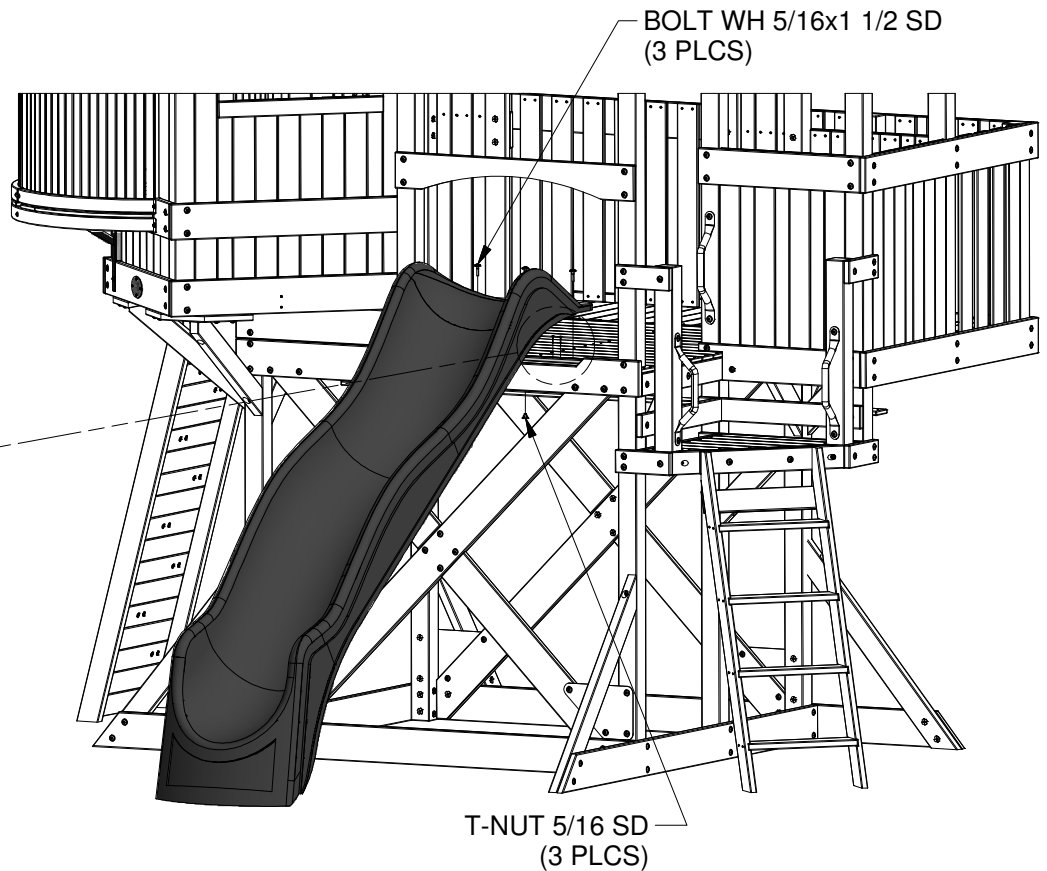


(1) O70 - SLIDE MOUNTING BOARD - W4L09040  
5/8"x1 3/8"x20 3/8" (16x34x517)

**STEP 98**



**SLIDE ASSEMBLY DRILLING PATTERN**  
USE A 7/16" OR 10 MM DRILL BIT.





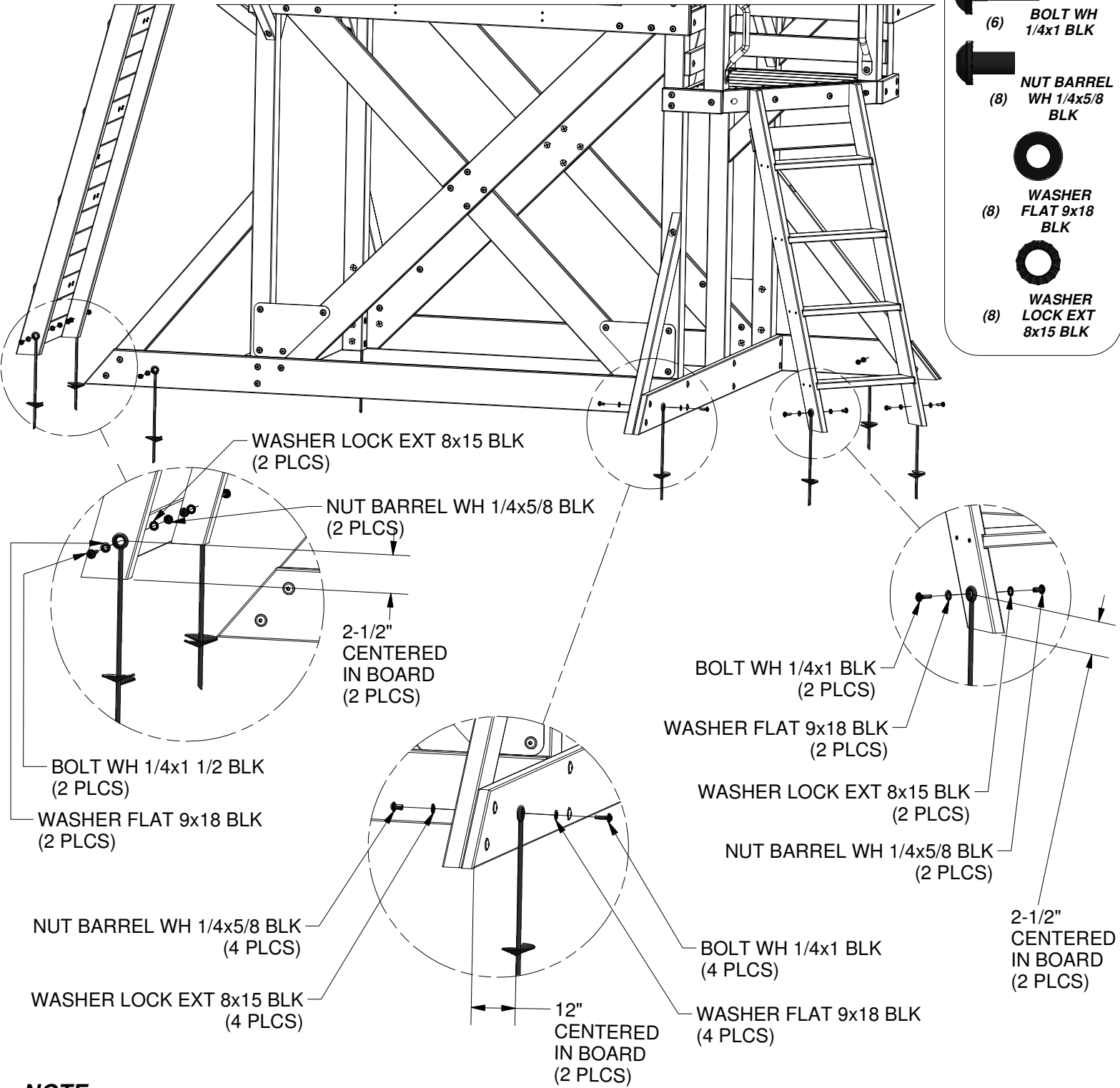
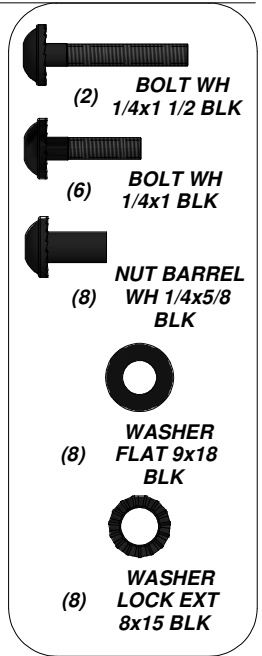
(8) KC - METAL GROUND STAKE BROWN - A100178

**STEP 99**

**NOTE:**

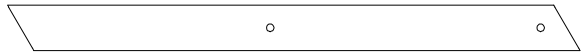
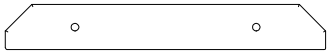
**FAILURE TO USE GROUND ANCHORS CAN VOID WARRANTY & CAUSE INJURY!**

# Anchoring Instructions



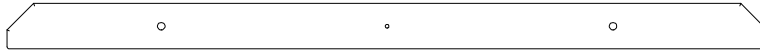
**NOTE:**

**TWIST STAKES INTO GROUND AGAINST GROUND BOARDS IN LOCATIONS SHOWN. USING GROUND STAKE AS A TEMPLATE, DRILL 7/16\"**



(2) **F5 - PICNIC TABLE OUTER SUPPORT - W4L08555**  
1 3/8"x2 3/8"x16 3/4" (36x60x424)

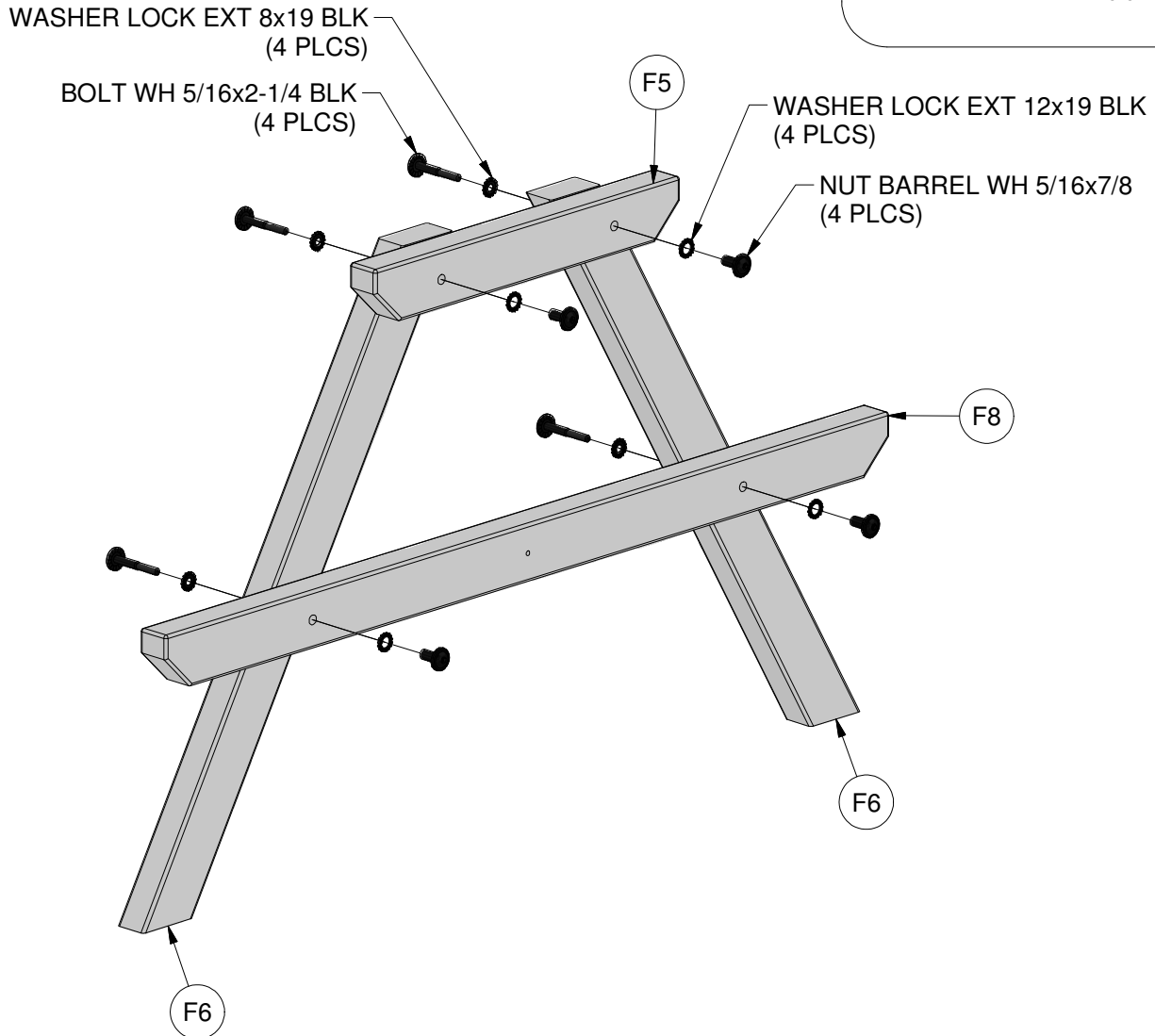
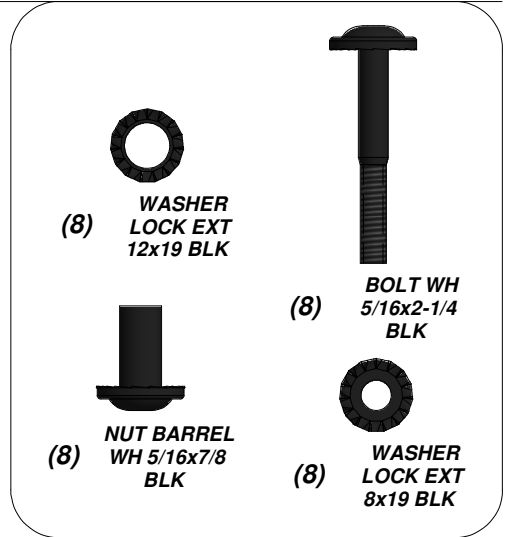
(4) **F6 - PICNIC TABLE LEG - W4L08556**  
1 3/8"x2 3/8"x29 7/8" (36x60x757)



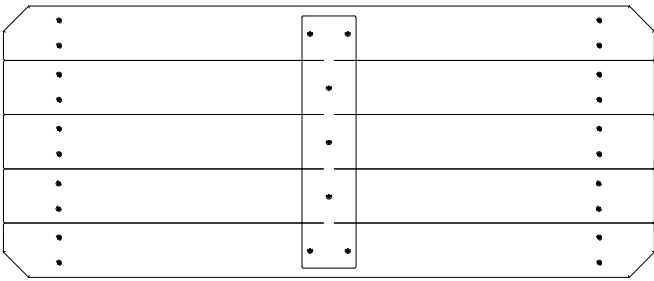
(2) **F8 - PICNIC TABLE LEG SUPPORT - W4L08558**  
1 3/8"x2 3/8"x39 5/8" (36x60x1006)

### STEP 100

**YOU WILL BUILD (2) PICNIC TABLE UPRIGHTS IN THIS STEP.**







**TP1 - PICNIC TABLE TOP - W2A02225**  
 1 9/16"x17"x40 11/16" (40x430x1034)

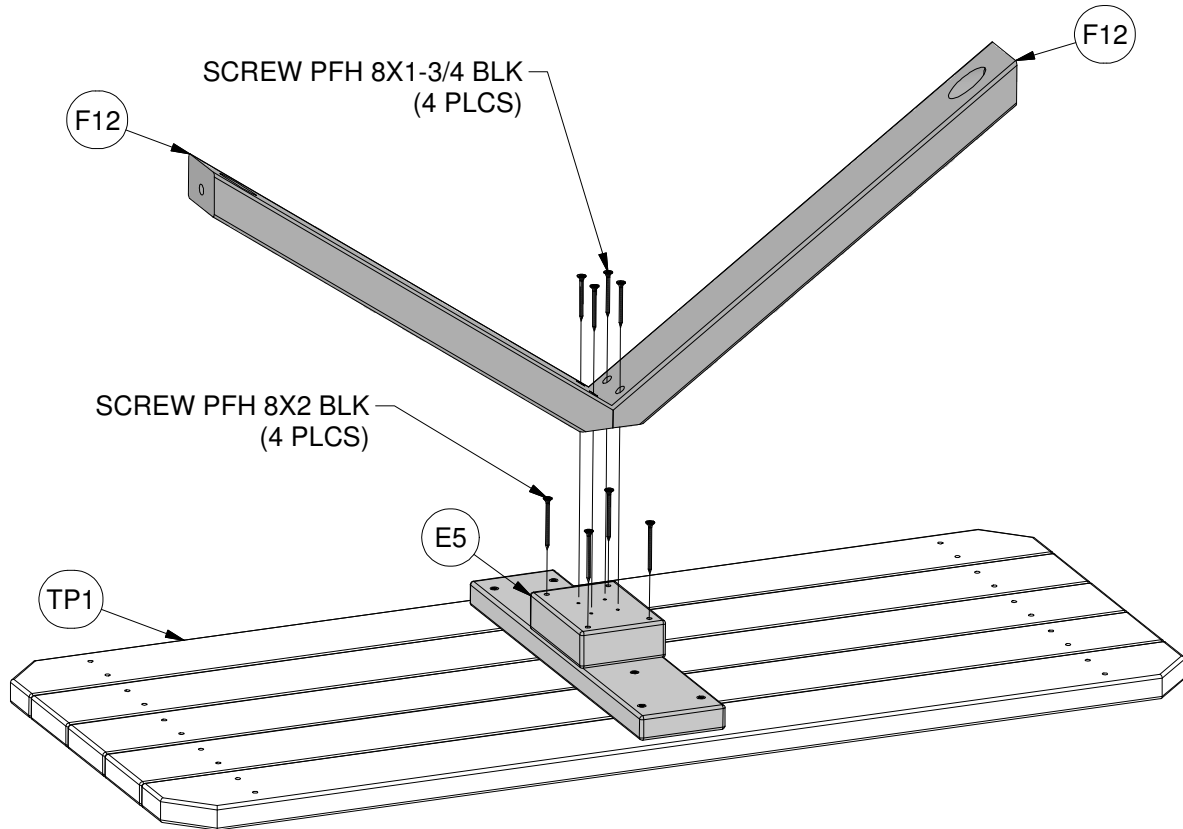
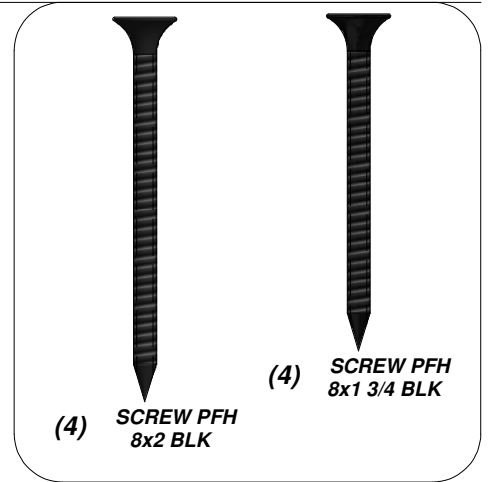


(2) **F12 - PICNIC TABLE SUPPORT - W4L11668**  
 1 3/8"x2 3/8"x20 1/4" (36x60x513)

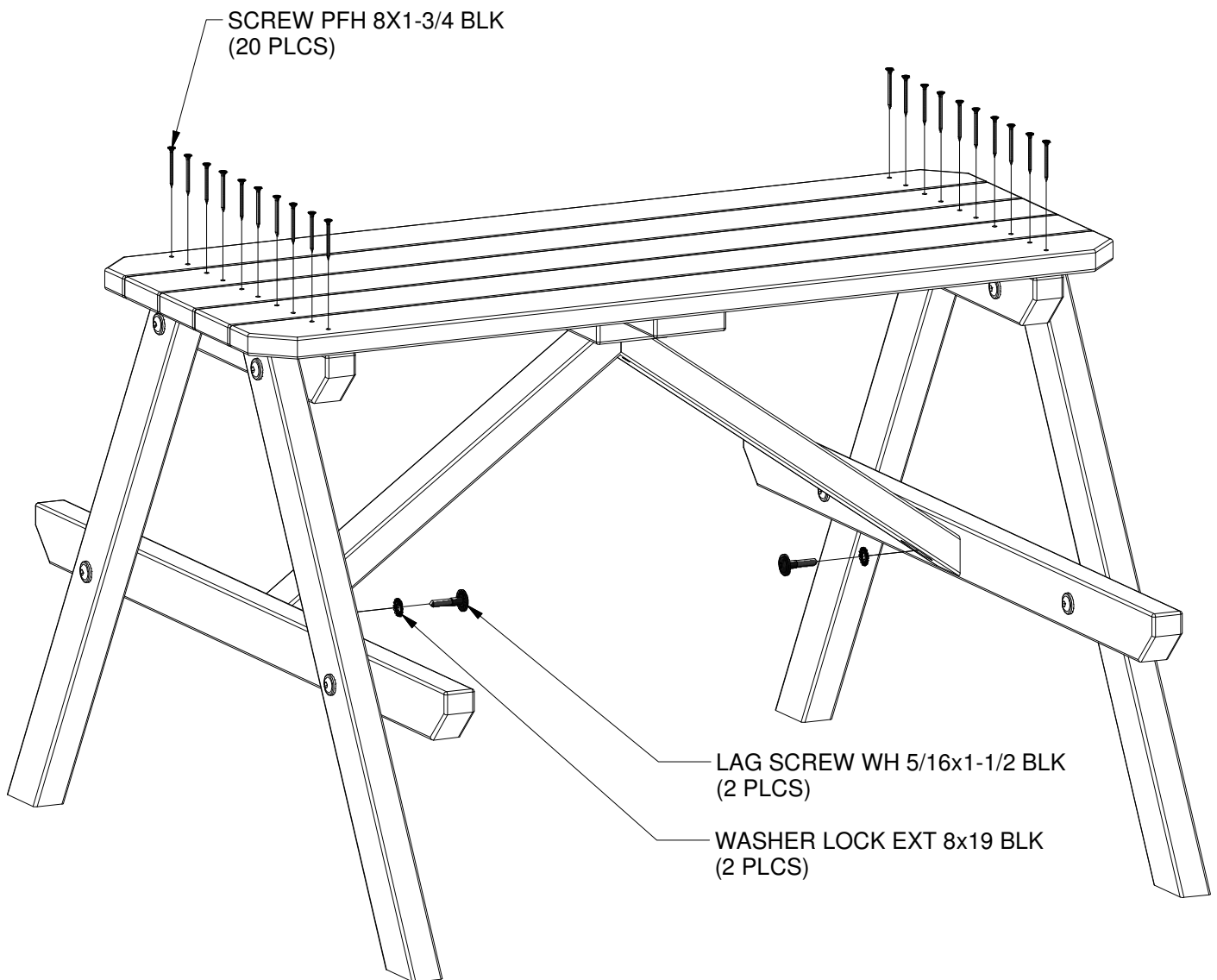
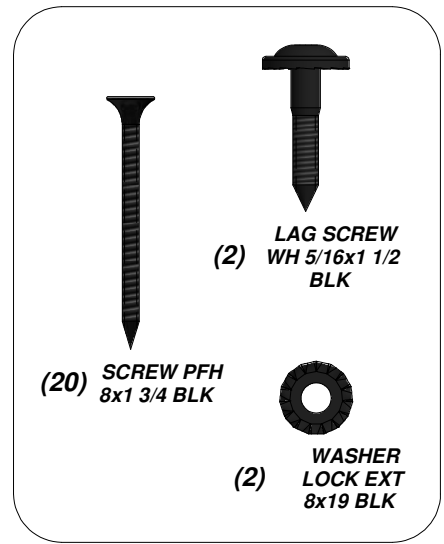


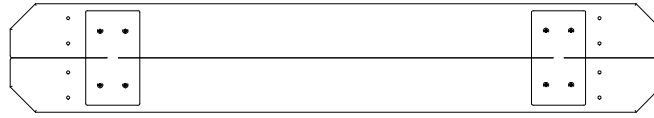
(1) **E5 - BLOCK - W4L11861**  
 1 3/8"x3 3/8"x4 3/4" (36x86x120)

**STEP 101**



**STEP 102**

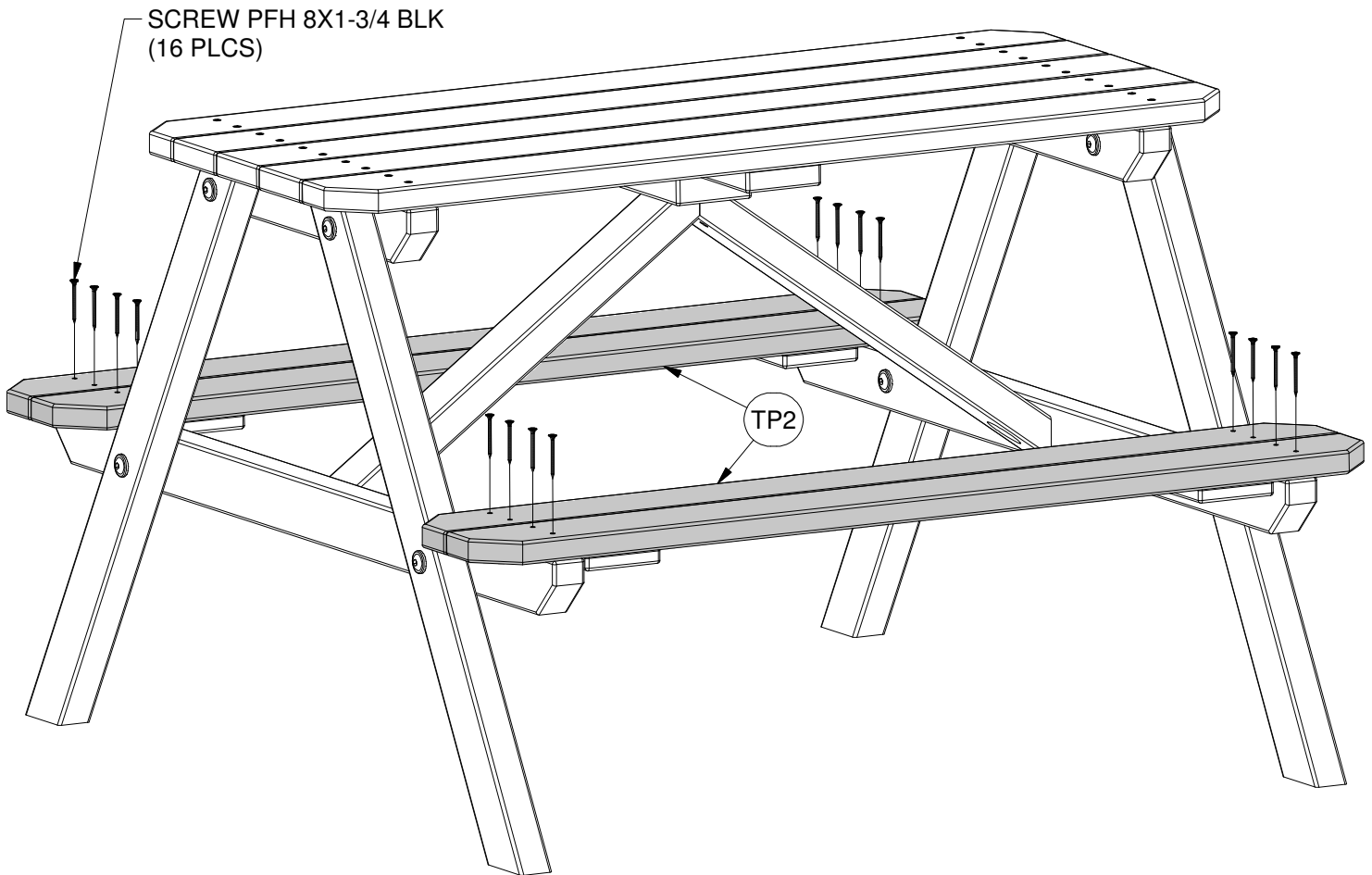
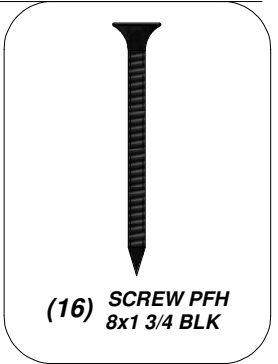




(2) **TP2 - PICNIC TABLE SEAT - W2A02226**  
1 9/16"x6 3/4"x40 11/16" (40x172x1034)

### STEP 103

**MAKE SURE THE TABLE IS PLACED OUTSIDE OF THE FALL ZONE; FOUND ON THE "SAFETY AND ASSEMBLY INFORMATION" PAGE OF THIS MANUAL.**



### FINAL STEP

**DOUBLE CHECK EVERY BOLT, SCREW AND NUT FOR TIGHTNESS. MAKE SURE EVERY BOARD IS SECURE AND MAKE SURE THE PLAY SET IS LEVEL.**

**ENJOY YOUR NEW PLAY SET!**

## Limited Warranty

This Limited Warranty by Backyard Discovery applies to products manufactured under the Backyard Discovery brand or its other brands including but not limited to Backyard Botanical, Adventure Playsets, and Leisure Time Products.

Backyard Discovery warrants that this product is free from defect in materials and workmanship for a period of one (1) year from the original date of purchase. This one (1) year warranty covers all parts including wood, hardware, and accessories. All wood carries a five (5) year pro-rated warranty against rot and decay. Refer to the schedule below for charges associated with replacement of parts under this Limited Warranty. In addition, Backyard Discovery will replace any parts within the first 30 days from date of purchase found to be missing from or damaged in the original packaging.

This warranty applies to the original owner and registrant and is **non-transferable**. Regular maintenance is required to assure maximum life and performance of this product and failure by the owner to maintain the product according to the maintenance requirements may void this warranty. Maintenance guidelines are provided in the Owner's Manual.

This Limited Warranty does not cover:

- Labor for any inspection
- Labor for replacement of any defective item(s)
- Incidental or consequential damages
- Cosmetic defects which do not affect performance or integrity of a part or the entire product
- Vandalism, improper use, failure due to loading or use beyond the capacities stated in the applicable Assembly Manual.
- Acts of nature including but not limited to wind, storms, hail, floods, excessive water exposure
- Improper installation including but not limited to installation on uneven, unlevel, or soft ground
- Minor twisting, warping, checking, or any other natural occurring properties of wood that do not affect performance or integrity

Backyard Discovery products have been designed for safety and quality. Any modifications made to the original product could damage the structural integrity of the unit leading to failure and possible injury. Modification voids any and all warranties and Backyard Discovery assumes no liability for any modified products or consequences resulting from failure of a modified product.

This product is warranted for RESIDENTIAL USE ONLY. Under no circumstance should a Backyard Discovery product be used in public settings. Such use may lead to product failure and potential injury. Any and all public use will void this warranty. Backyard Discovery disclaims all other representations and warranties of any kind, express or implied.

This Warranty gives you specific legal rights. You may have other rights as well which vary from state to state or province to province. This warranty excludes all consequential damages, however, some states do not allow the limitation or exclusion of consequential damages and therefore this limitation may not apply to you.

### Pro Rated Part Replacement Schedule

#### Product Age

#### **All Parts**

0-30 days from date of purchase

31 days to 1 year

#### **Wood Rot and Decay Only**

1 year

2 years

3 years

4 years

5 years

Over 5 years

#### Customer Pays

\$0 and free shipping

\$0 + S&H

\$0 and free shipping

20% + S&H

40% + S&H

60% + S&H

80% + S&H

100% + S&H





